

Professional Electronic Parts Manufacturer



R 富灣股份有限公司
RICH BAY
<http://www.richbay.com.tw>

五金、電子、IEC/NEMA 插座、連接器專業製造廠

總公司 / 富灣股份有限公司
HEAD OFFICE / RICH BAY CO., LTD.

台灣台北縣樹林市東興街57號
No. 57, Tung Hsing Street, Shu-Lin City,
Taipei Hsien, Taiwan
Tel: 886-2-8686-7781~4
Fax: 886-2-8686-7780
Mail: exporting@richbay.com.tw

中國佛岡廠 / 富灣(佛岡)五金電器有限公司
FOGANG FACTORY / RICH BAY INT,L LTD.

廣東省清遠市佛岡縣城南工業區
South Town Industrial Area of Fogang County,
Qing Yuan City, Guangdong Province, China
Tel: 86-763-429-2746
Fax: 86-763-428-8096
Mail: fgfuwan@163.com

中國蘇州廠 / 富灣五金電器(蘇州)有限公司
SUZHOU FACTORY / RICH BAY HARDWARE
APPLIANCES (SUZHOU) CO., LTD.

江蘇省蘇州市吳中區角直鎮鴻福路
HongFu road, LuZhi Town,SuZhou,JiangSu, China.
Tel: 86-512-6504-5225
Fax: 86-512-6504-9898
Mail: richbay_suzhou@126.com

東莞分公司
DONGGUAN BRANCH

廣東省東莞市長安鎮沙頭管理區新南街3號
NO.3, XinNan Street, ChangAn Town,
Dongguan City, Guangdong Province,China
Tel: 86-769-8538-2583~4
Fax: 86-769-8538-2586
Mail: richbay123@163.com
richbay@changan.net



2010年 1版


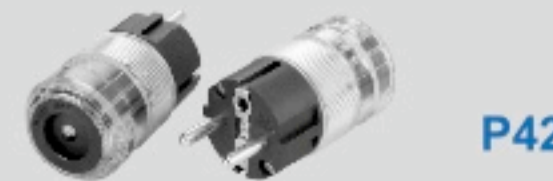


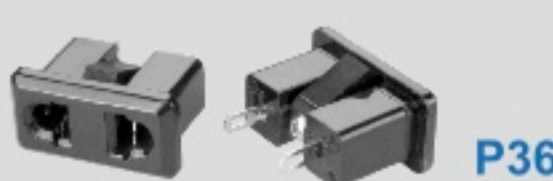





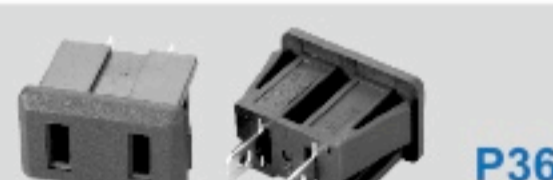







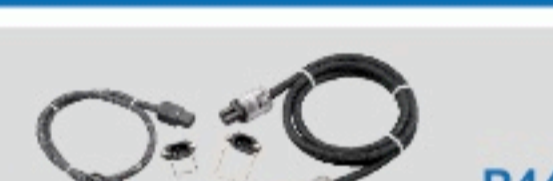






























Environmental Consciousness

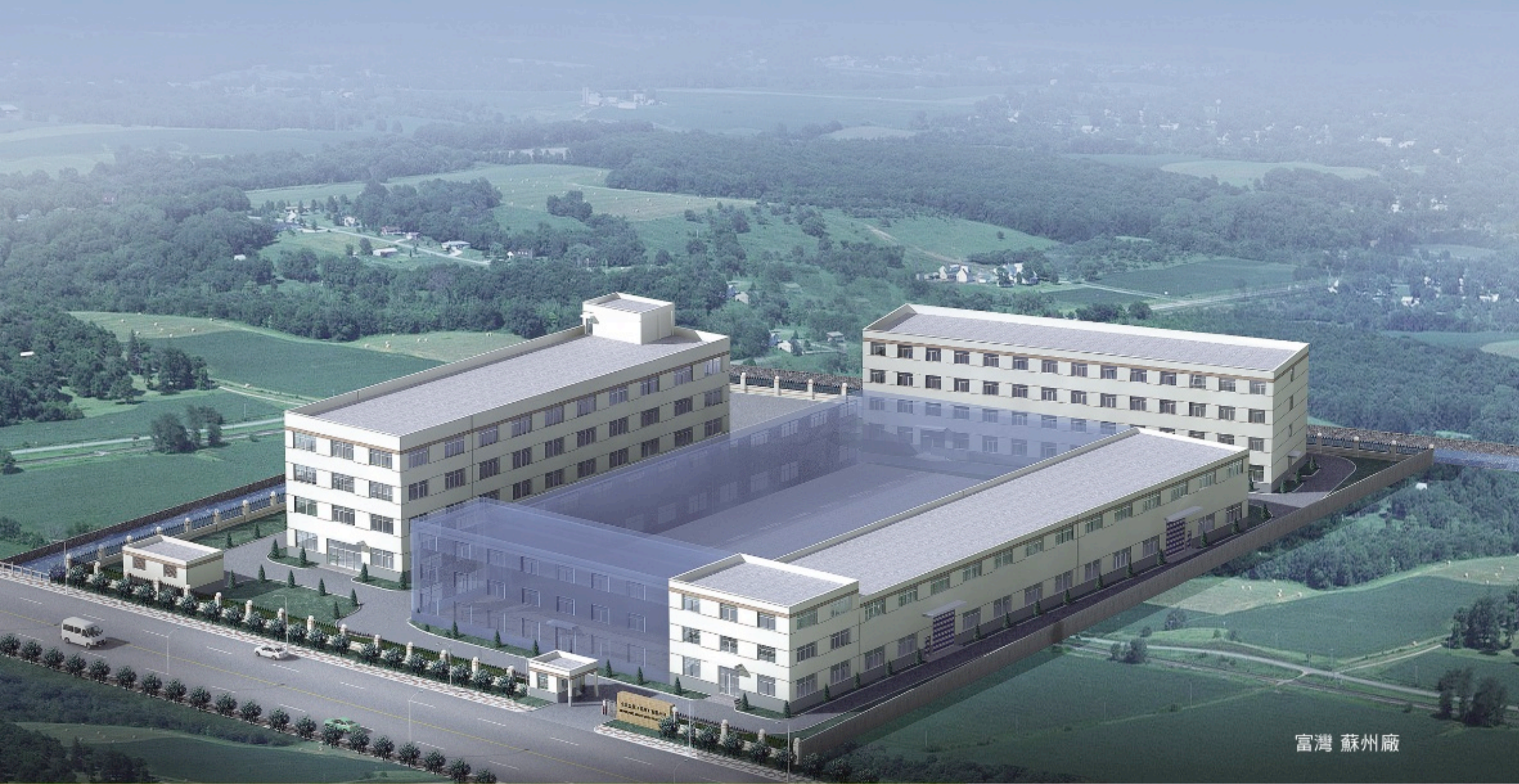
R 富灣股份有限公司
RICH BAY
<http://www.richbay.com.tw>

Table of Content

IEC C8 Series	 P13	 P20	IEC C14 + Fuse Holder
 P6	 P13	 P20	 P24
 P6	 P14	IEC F(C13) Series	
 P7	 P14	 P21	IEC C14 + Switch
 P7	 P14	 P21	 P25
 P8	IEC C14 Series		 P25
 P8	 P15	IEC C20 Series	
 P9	 P15	 P22	 P26
 P9	 P16	 P22	IEC C14 + Switch + Fuse Holder
 P10	 P16	 P22	 P27
 P10	 P17	IEC J(C19) Series	
 P11	 P17	 P23	IEC C14 + F(C13) + Fuse Holder
 P11	 P18	 P23	 P28
IEC C6 Series		 P18	IEC F(C13) Combination
 P12	 P19	 P29	
 P12	 P19	 P24	Oceania Socket-Outlet

 P30	U.S. Socket-Outlet		 P42	 P48
 P30	 P36	Special Purpose Connector		
 P31	 P36	 P43	 P49	
 P31	 P36	WIRE HARNESS		Special Connector
Indian Socket-Outlet		 P37	 P44	 P49
 P32	 P37	AUDIO		
 P32	 P38	 P44	 P50	
U.K Socket-Outlet		 P38	Power Code Lock	
 P33	 P39	 P45	 P51	
French Socket-Outlet		 P39	Enclosures Protection	
 P33	 P40	 P45	 P52	
 P34	 P40	AC Adaptor		
 P34	AUDIO		 P52	
 P34	 P46	Rocker Switch		
European Socket-Outlet		 P41	 P46	 P53
 P35	 P41	 P47	 P53	
 P35	 P42	 P47	 P53	

Profile and History



富灣股份有限公司 專業的電子零件製造廠 RICH BAY CO., LTD.

富灣 成立於西元一九八六年，為一五金、電子、IEC/NEMA 插座、連接器專業製造廠；成立至今，一直將『不斷推出有使用價值的科技創新產品，帶給人類更便利的生活。』視為我們的使命；持續秉持誠實、道德、敬業之精神，並期許達成材料商、製造商、消費者之三贏局面，邁向永續經營、穩健發展之路。



Professional
Electronic Parts Manufacturer

Our Factory

RICH BAY Was established in 1986 which specialize in manufacturing IEC connector & NEMA sockets. In 1994 we were certified to ISO-9002. In order to be more competitive in the markets we have our factory set up in Fongang China in 1999. As we expected we got the certificate of ISO-9001 in 2001. (BY QMI, CERTIFICATE NO.013018.) For the market needed we set up another factory in Suzhou China in 2001. Besides we are expecting to be certificated of ISO-14000 in 2004. Rich Bay Co; Ltd is well known as leading manufacture in various of IEC connectors and NEMA sockets. The highest quality production to be served for our esteem customer is company's policy. We have strong R&D team developing wide range and new products from time to time. We are providing the right design good production best service always.



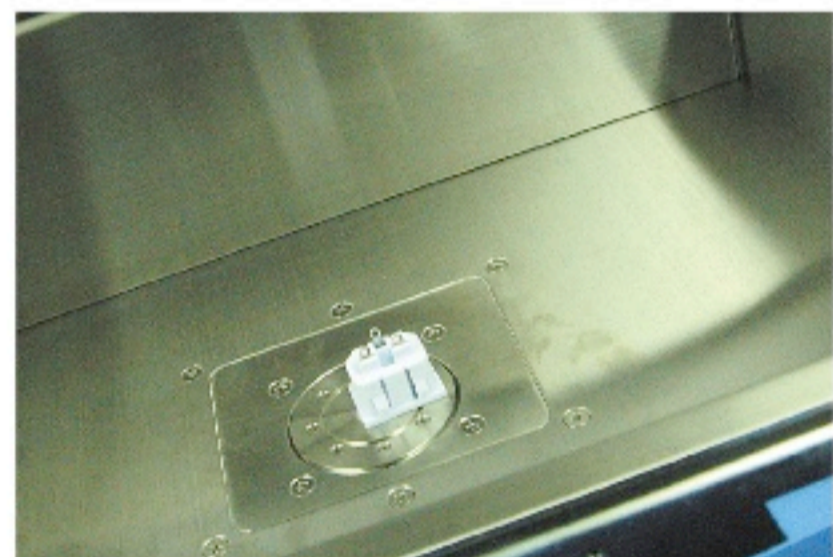
- 2010 富灣五金電器蘇州有限公司遷移至新廠房，擴大產能。
- 2009 申請ISO/9001:2008通過改版認證。
- 2008 增設東莞分公司，就地服務華南地區客戶。
- 2007 全面更新信賴度檢測儀器並成立高規格檢測實驗中心。
- 2006 通過英國BSI認證系統，產品取的正式認證安規。
- 2006 台灣、大陸兩廠陸續導入日本原裝進口綠色環保檢測儀器XRF，全面確保進出物料環保掌控，全面提升產品環保質量標準
- 2005 兩岸三廠全面導入綠色環保製程。
- 2004 申請ISO14001環境管理系統認證順利通過。
- 2002 申請ISO/9001:2000認證標準順利通過。
- 2001 成立富灣五金電器蘇州有限公司，正式進軍華東市場以滿足當地供貨需求、同時也是業界最先建立一貫化製程作業建立於蘇州區。
- 1999 成立富灣佛岡五金電器有限公司，前往大陸廣東省設立華南區生產總廠。
- 1996 申請ISO-9002認證標準順利通過。
- 1986 創立富灣股份有限公司，研發製造IEC/NEMA電源連接器供應客戶。

Quality Control



嚴格的品管制度 · 製造優質產品

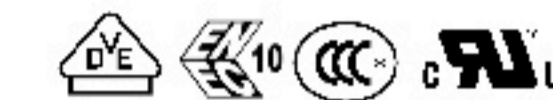
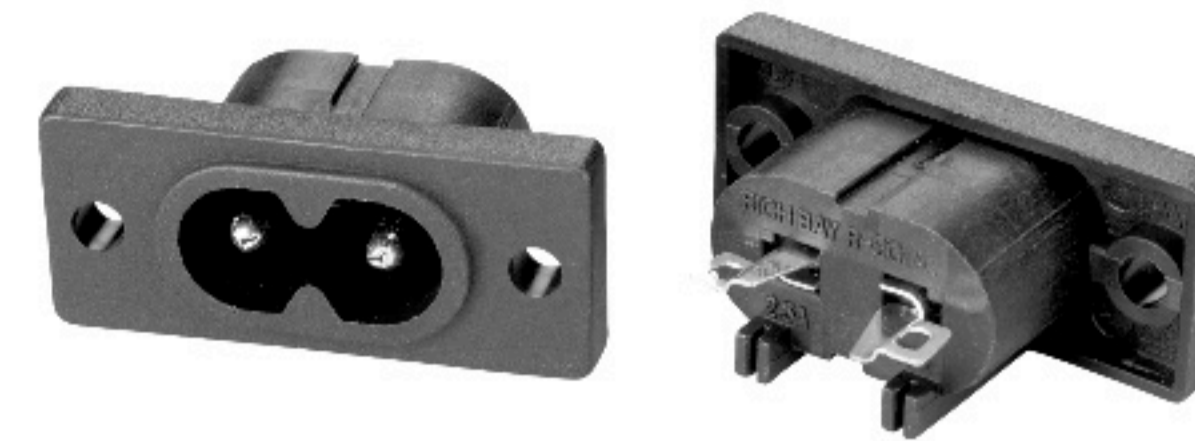
成立於西元一九八六年，為一專業的電源插座製造廠；擁有堅強的研發團隊，不斷推出有使用價值的科技創新產品。精選優良的供應商，推行良好的教育訓練，了解顧客的需求，提供良好的產品和服務，以滿足顧客期望建立互信、互惠之關係，邁向永續經營、穩健發展之路。



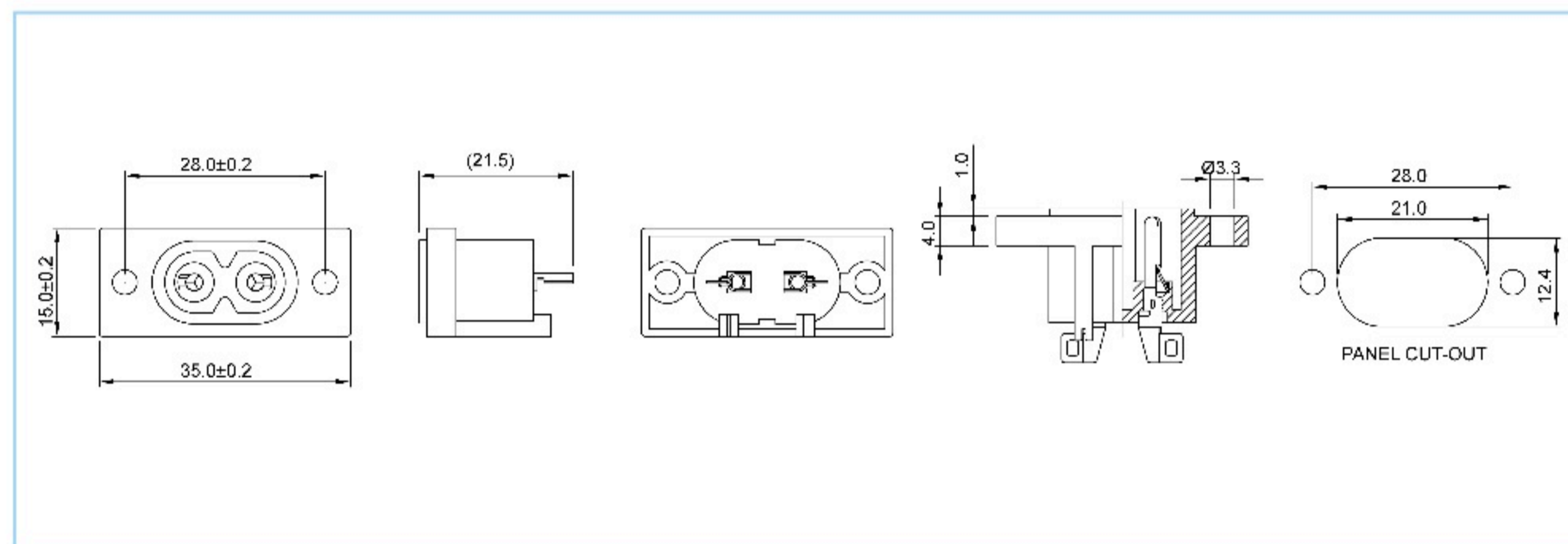
IEC C8 Series

R-201A-B00

- ◆ Standard: IEC 60320 C8
- ◆ Rating: 2.5A 250V AC
- ◆ Insulation Resistance: 100MΩ 500V DC / 1 minute
- ◆ Dielectric Strength: 2000V AC / 1 minute
- ◆ Housing Material: Thermoplastic 94V-2~V-0

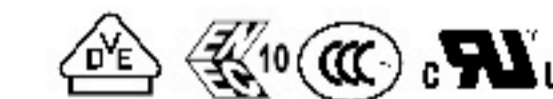


Dimensions

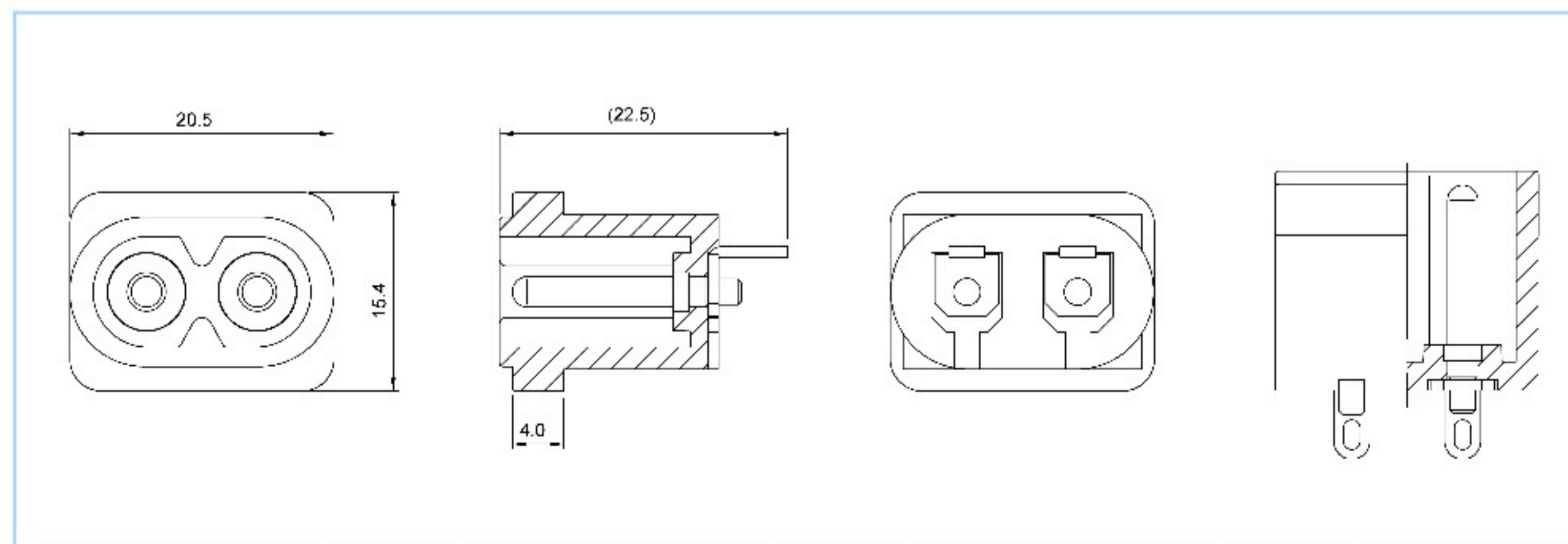


R-201A-04

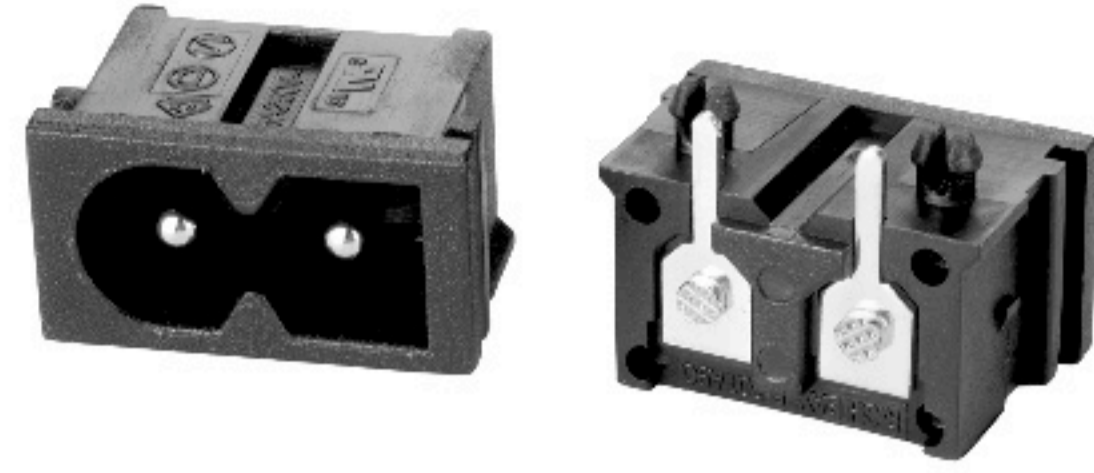
- ◆ Standard: IEC 60320 C8
- ◆ Rating: 2.5A 250V AC
- ◆ Insulation Resistance: 100MΩ 500V DC / 1 minute
- ◆ Dielectric Strength: 2000V AC / 1 minute
- ◆ Housing Material: Thermoplastic 94V-2~V-0



Dimensions

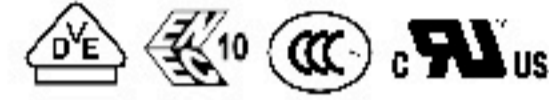


IEC C8 Series

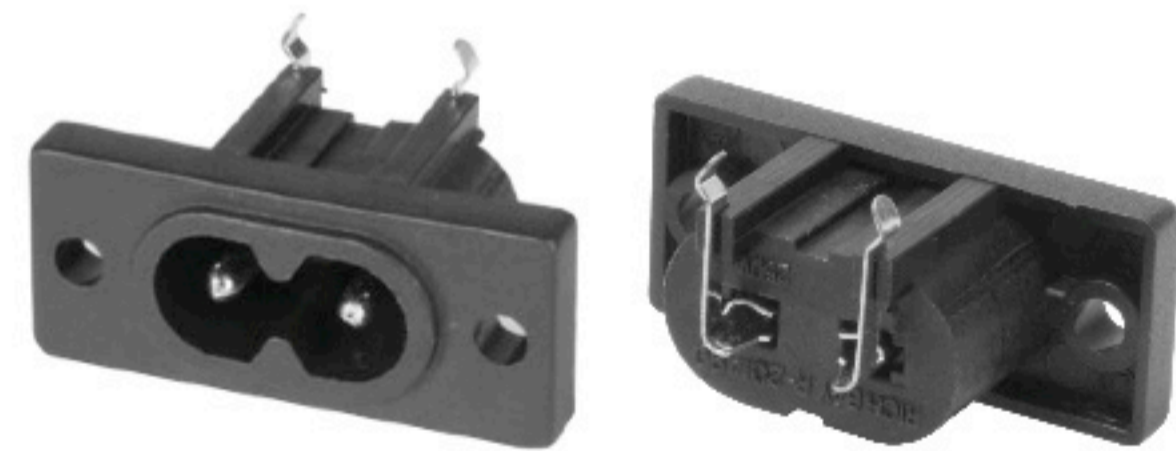
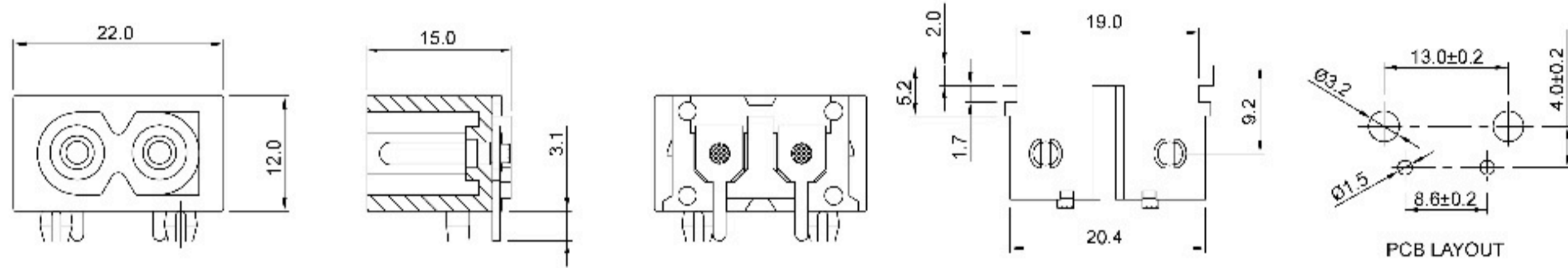


R-201A90-07

- ◆ Standard: IEC 60320 C8
- ◆ Rating: 2.5A 250V AC
- ◆ Insulation Resistance: 100MΩ 500V DC / 1 minute
- ◆ Dielectric Strength: 2000V AC / 1 minute
- ◆ Housing Material: Thermoplastic 94V-2~V-0

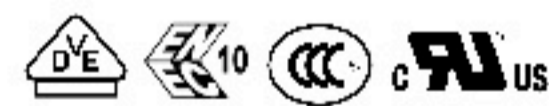


Dimensions

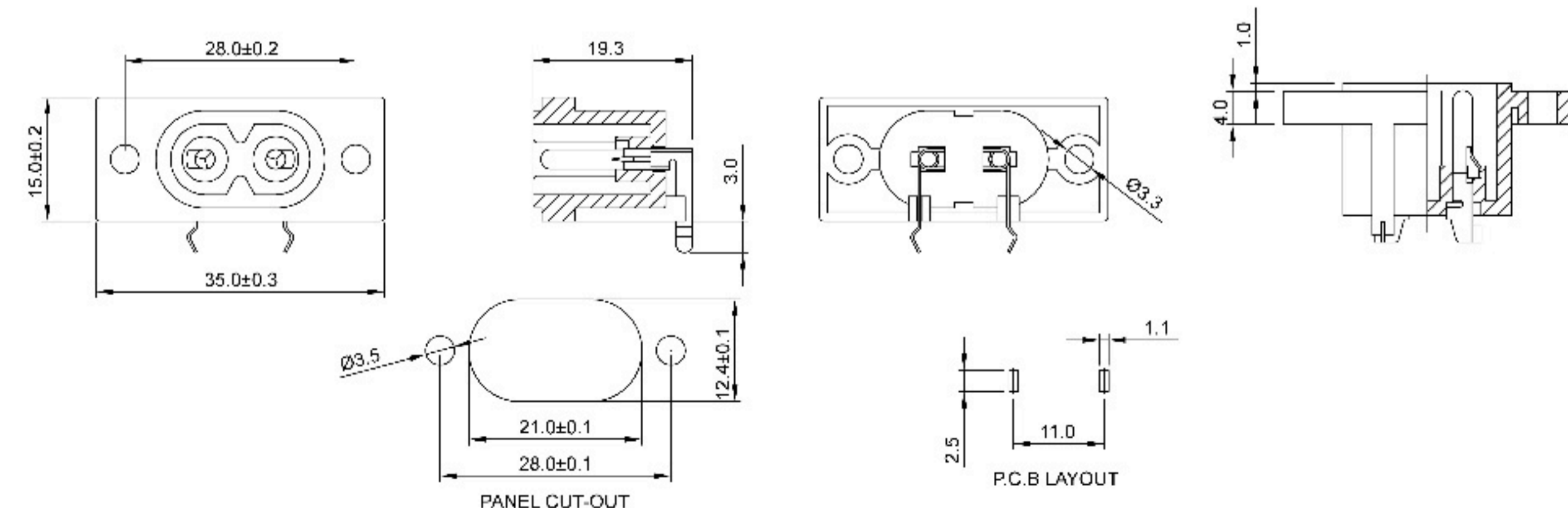


R-201A90-B00

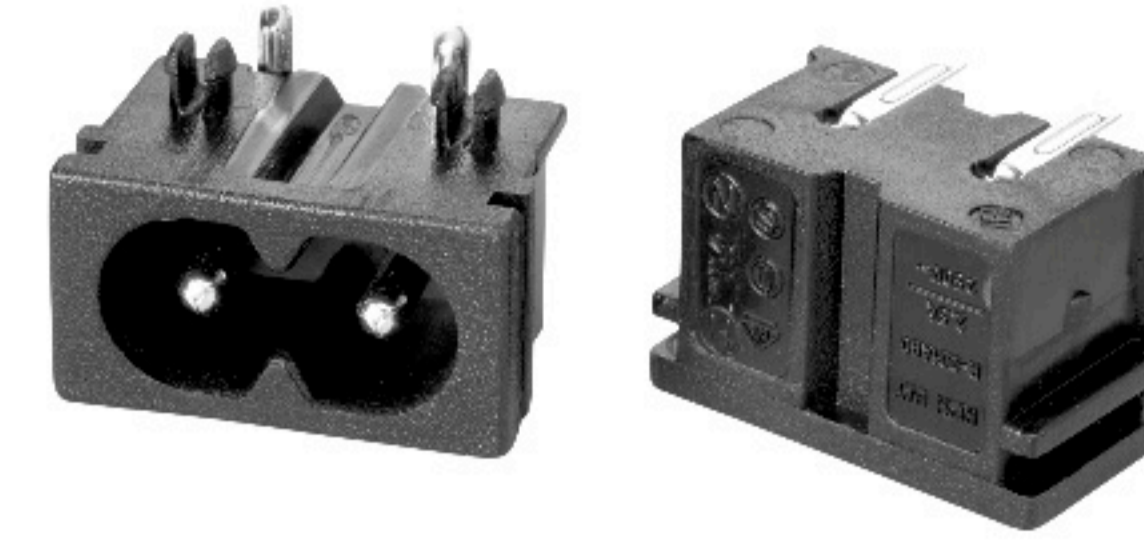
- ◆ Standard: IEC 60320 C8
- ◆ Rating: 2.5A 250V AC
- ◆ Insulation Resistance: 100MΩ 500V DC / 1 minute
- ◆ Dielectric Strength: 2000V AC / 1 minute
- ◆ Housing Material: Thermoplastic 94V-2~V-0



Dimensions



IEC C8 Series

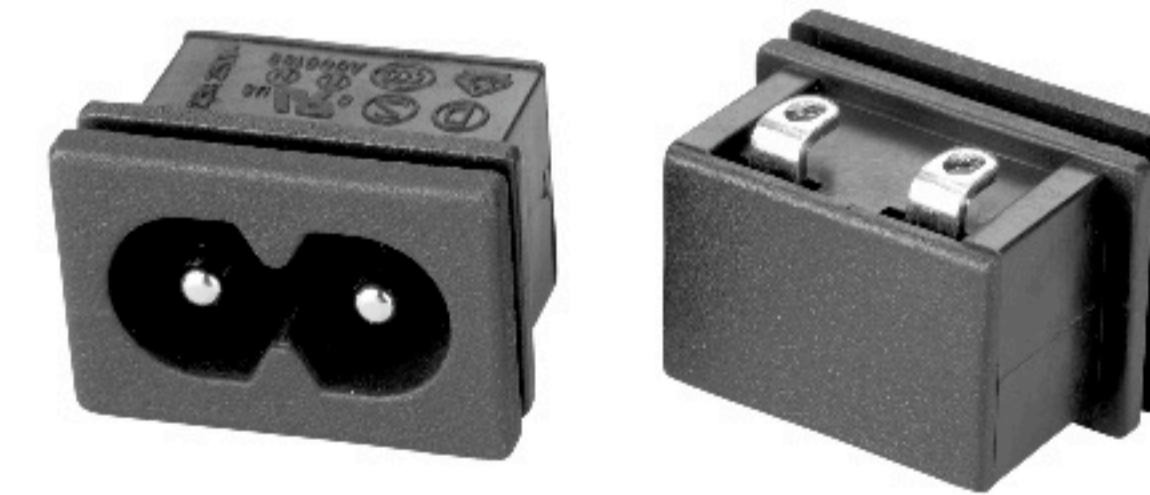
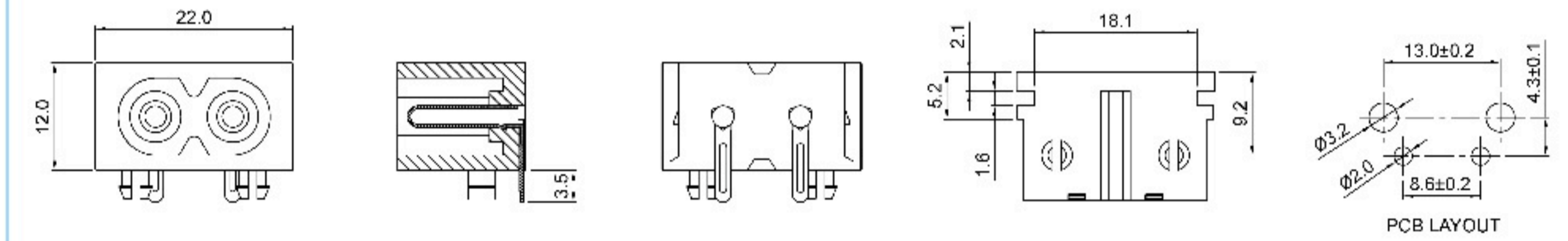


R-201A90-B17

- ◆ Standard: IEC 60320 C8
- ◆ Rating: 2.5A 250V AC
- ◆ Insulation Resistance: 100MΩ 500V DC / 1 minute
- ◆ Dielectric Strength: 2000V AC / 1 minute
- ◆ Housing Material: Thermoplastic 94V-2~V-0

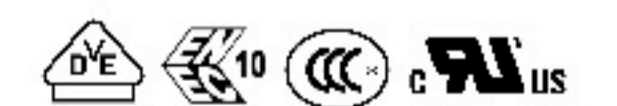


Dimensions

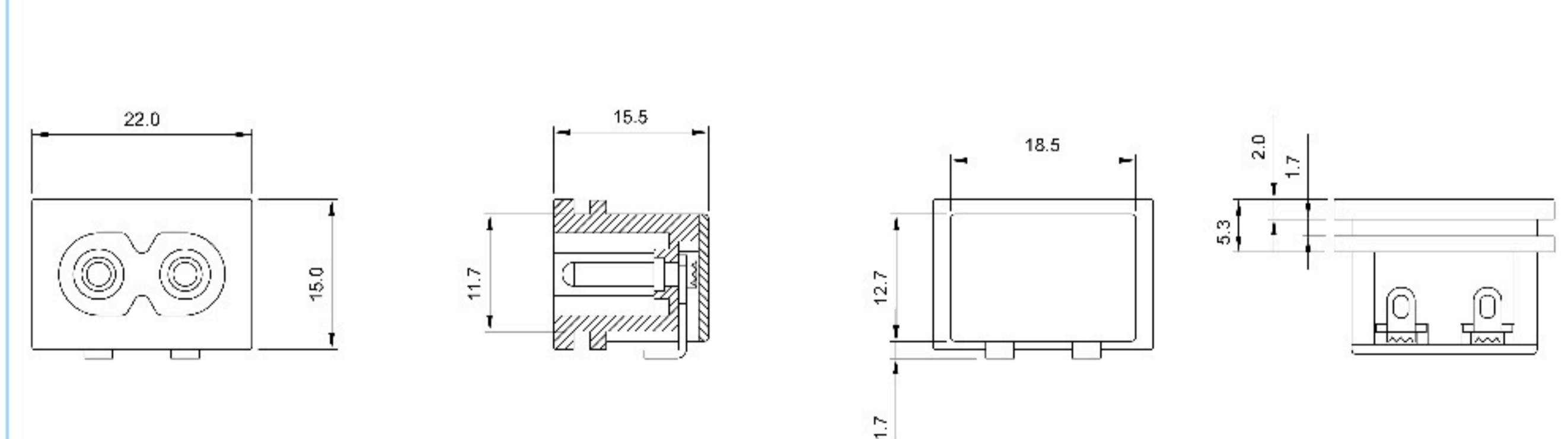


R-201A90-B203

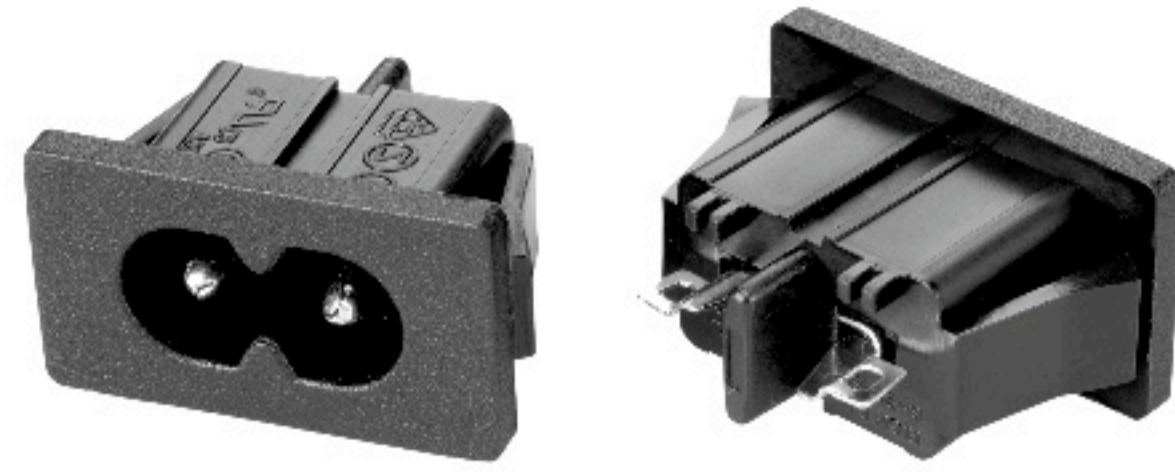
- ◆ Standard: IEC 60320 C8
- ◆ Rating: 2.5A 250V AC
- ◆ Insulation Resistance: 100MΩ 500V DC / 1 minute
- ◆ Dielectric Strength: 2000V AC / 1 minute
- ◆ Housing Material: Thermoplastic 94V-2~V-0



Dimensions

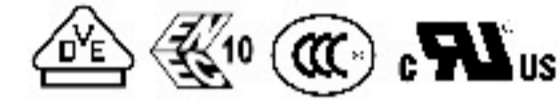


IEC C8 Series

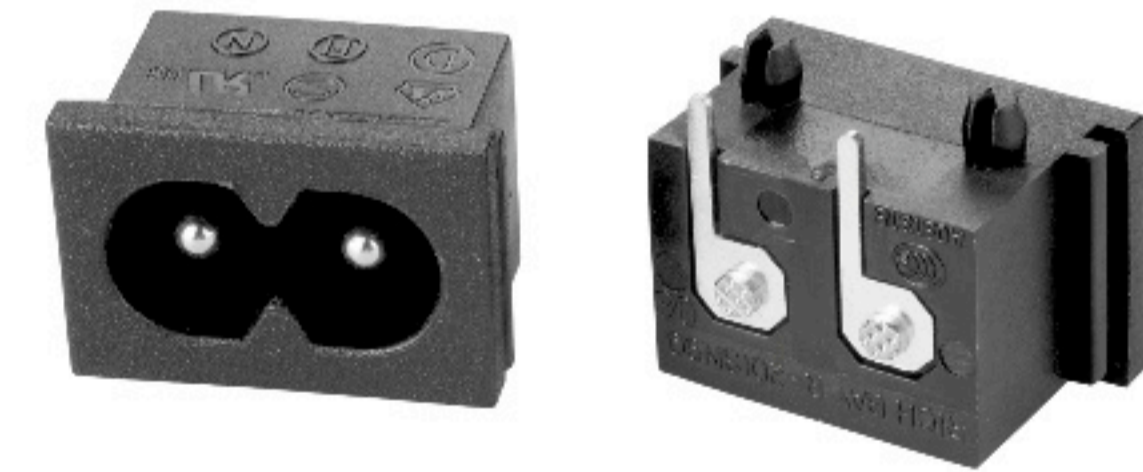
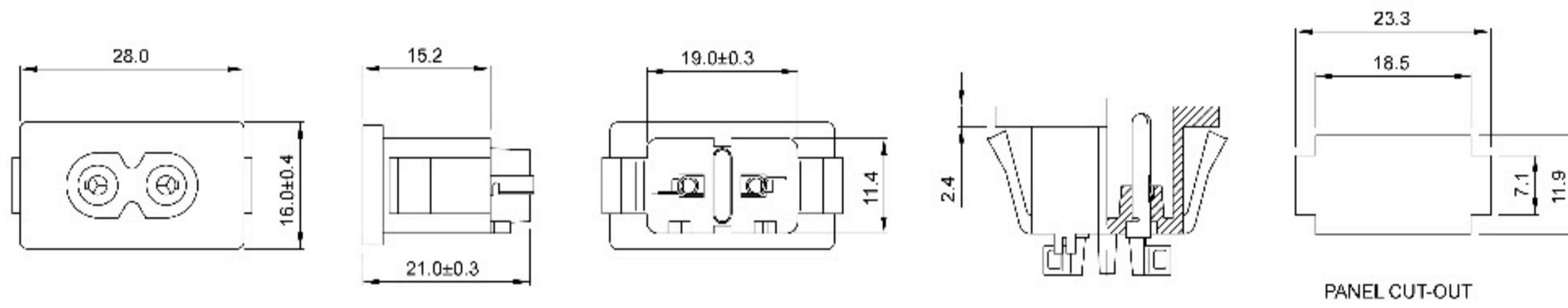


R-201SN-B01

- ◆ Standard: IEC 60320 C8
- ◆ Rating: 2.5A 250V AC
- ◆ Insulation Resistance: 100MΩ 500V DC / 1 minute
- ◆ Dielectric Strength: 2000V AC / 1 minute
- ◆ Housing Material: Thermoplastic 94V-2~V-0



Dimensions

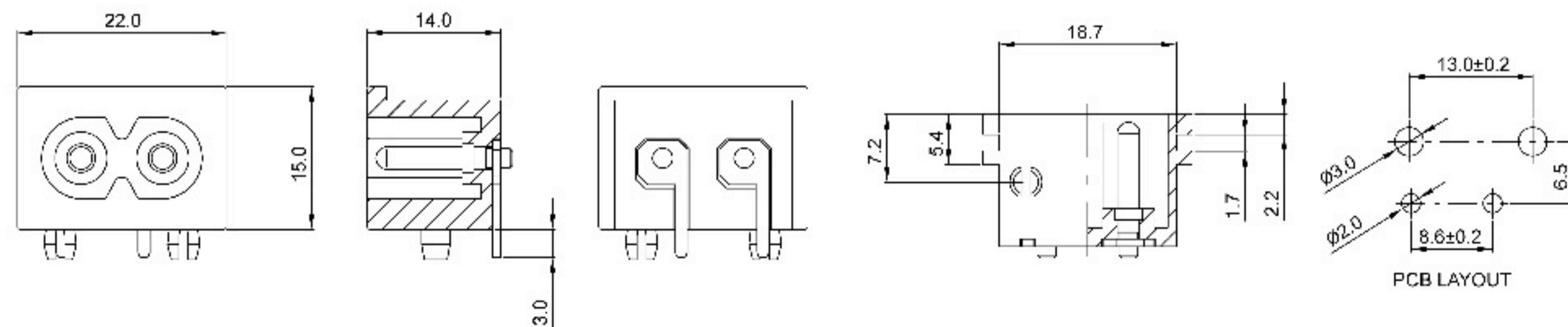


R-201SN90-08

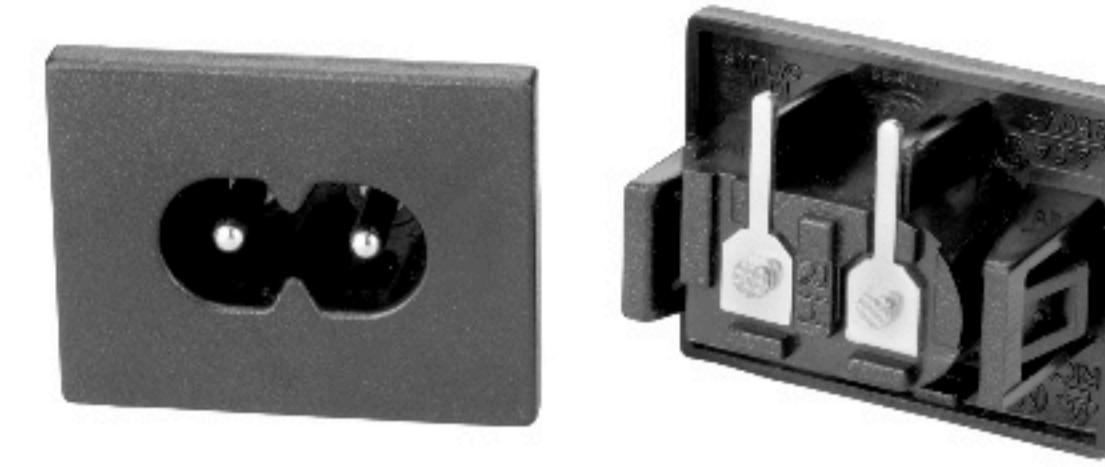
- ◆ Standard: IEC 60320 C8
- ◆ Rating: 2.5A 250V AC
- ◆ Insulation Resistance: 100MΩ 500V DC / 1 minute
- ◆ Dielectric Strength: 2000V AC / 1 minute
- ◆ Housing Material: Thermoplastic 94V-2~V-0



Dimensions



IEC C8 Series

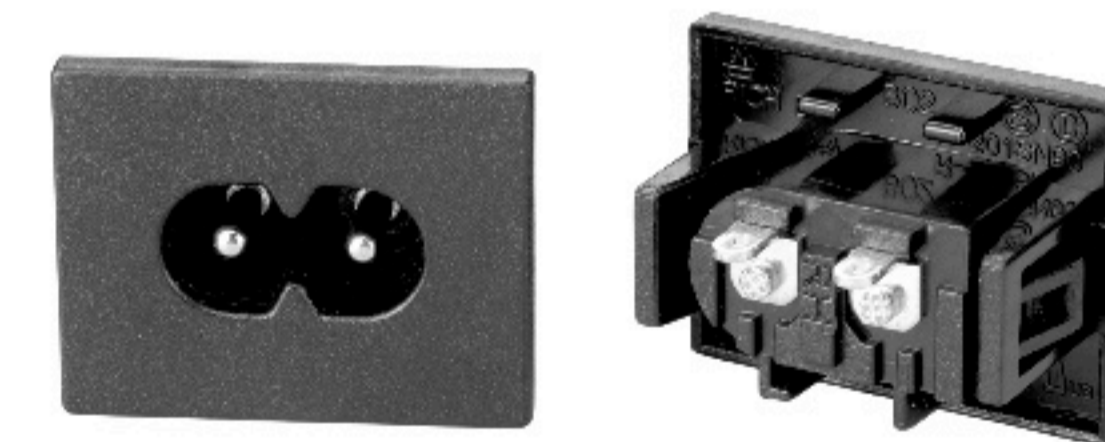
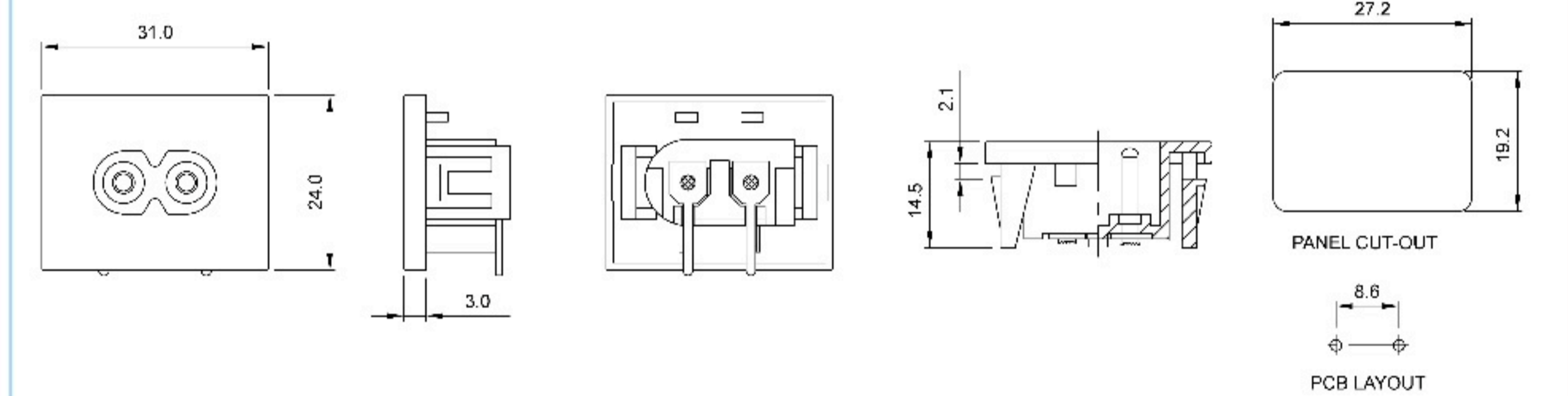


R-201SN90-B00

- ◆ Standard: IEC 60320 C8
- ◆ Rating: 2.5A 250V AC
- ◆ Insulation Resistance: 100MΩ 500V DC / 1 minute
- ◆ Dielectric Strength: 2000V AC / 1 minute
- ◆ Housing Material: Thermoplastic 94V-2~V-0



Dimensions

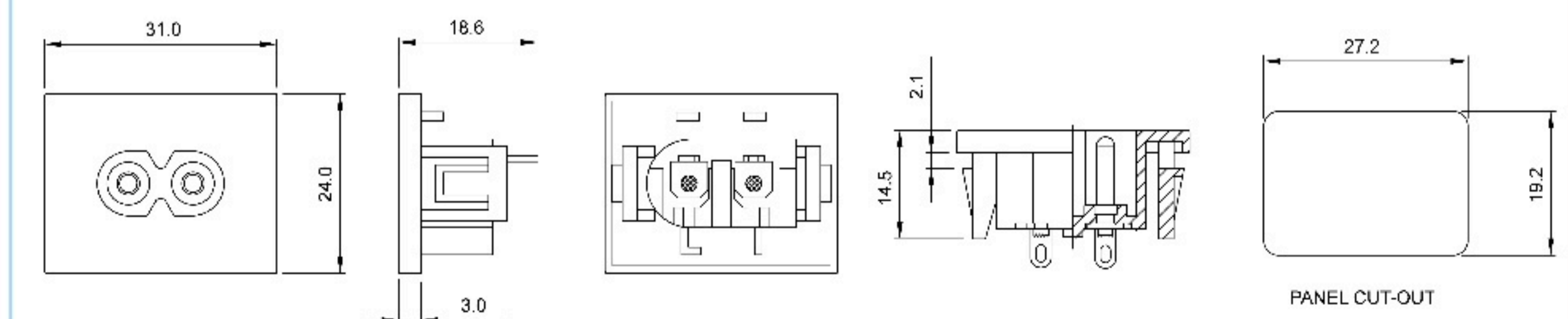


R-201SN90-B03

- ◆ Standard: IEC 60320 C8
- ◆ Rating: 2.5A 250V AC
- ◆ Insulation Resistance: 100MΩ 500V DC / 1 minute
- ◆ Dielectric Strength: 2000V AC / 1 minute
- ◆ Housing Material: Thermoplastic 94V-2~V-0



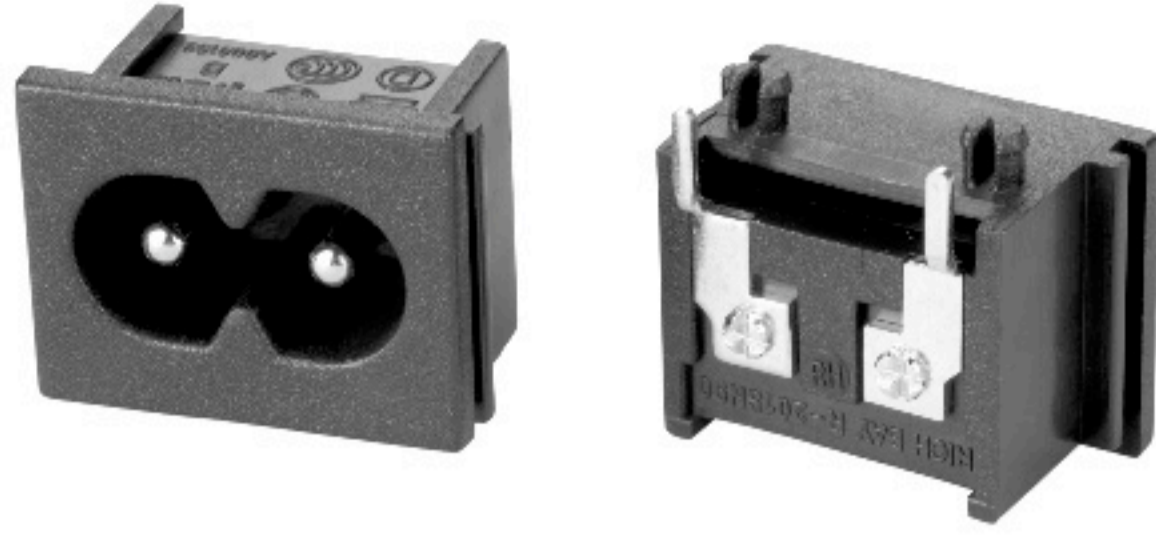
Dimensions



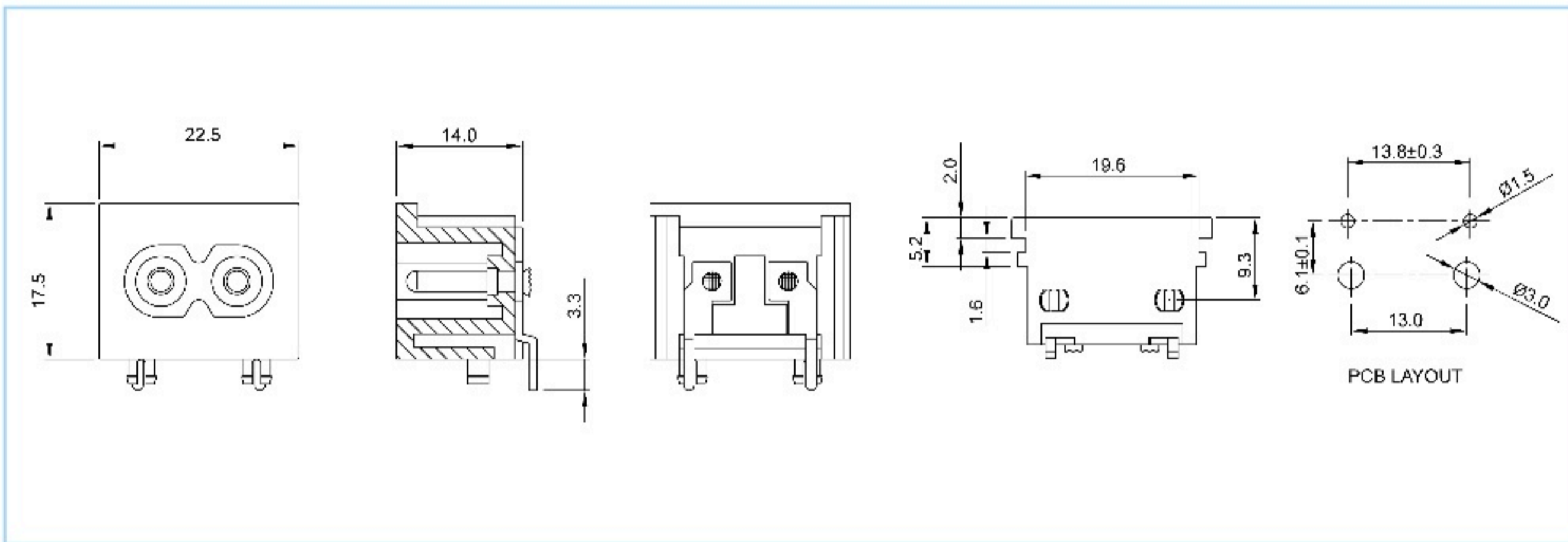
IEC C8 Series

R-201SN90-B06

- ◆ Standard: IEC 60320 C8
- ◆ Rating: 2.5A 250V AC
- ◆ Insulation Resistance: 100MΩ 500V DC / 1 minute
- ◆ Dielectric Strength: 2000V AC / 1 minute
- ◆ Housing Material: Thermoplastic 94V-2~V-0

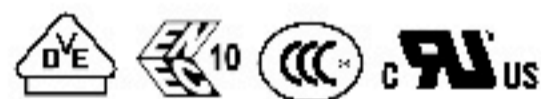
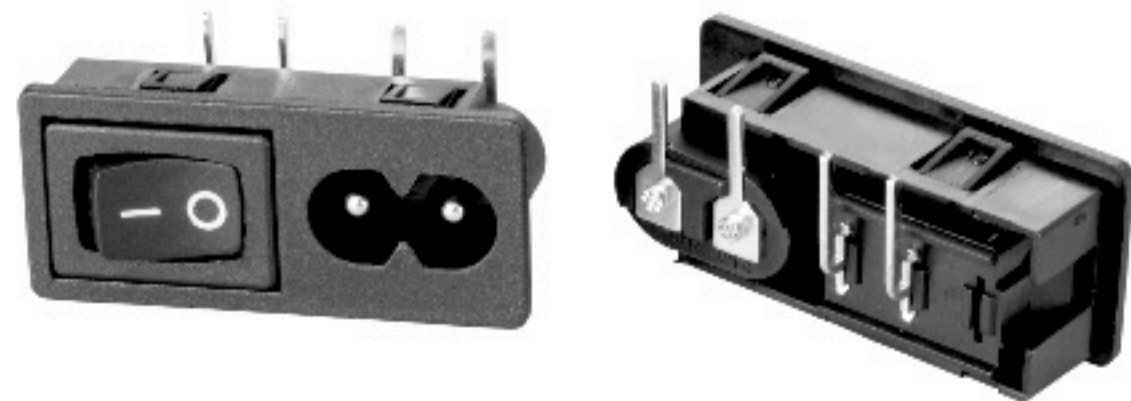


Dimensions

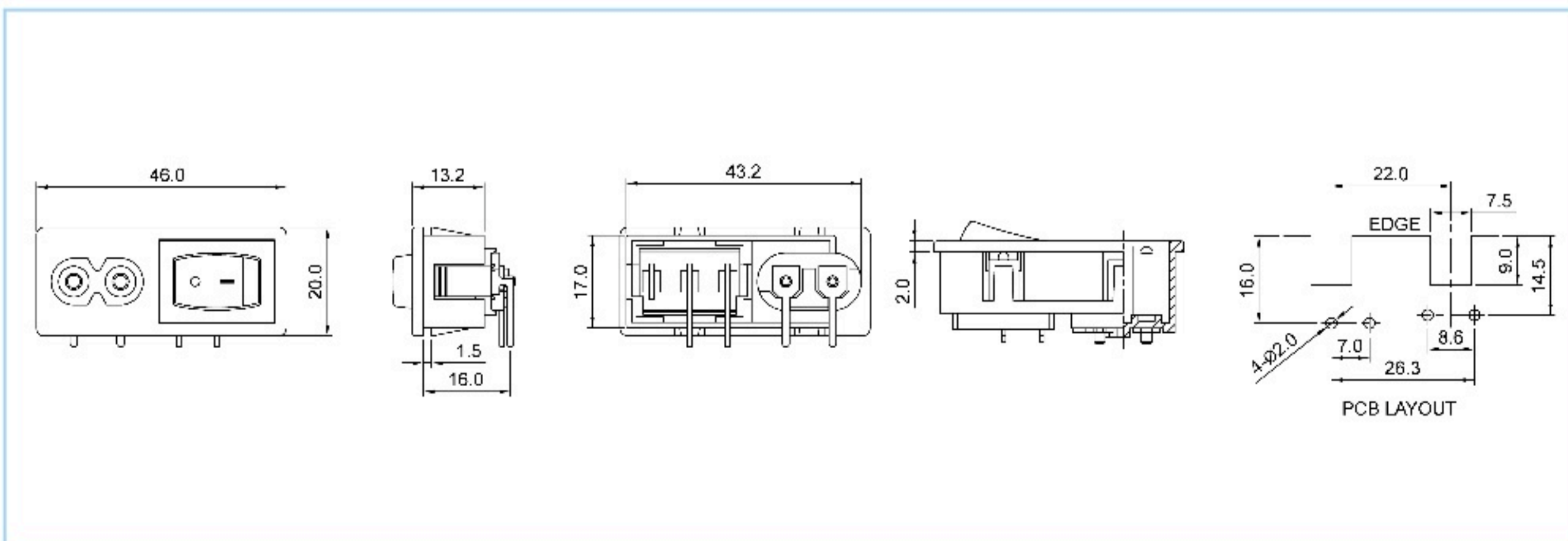


R-201SN90-14

- ◆ Standard: IEC 60320 C8
- ◆ Rating: 2.5A 250V AC
- ◆ Insulation Resistance: 100MΩ 500V DC / 1 minute
- ◆ Dielectric Strength: 2000V AC / 1 minute
- ◆ Housing Material: Thermoplastic 94V-2~V-0



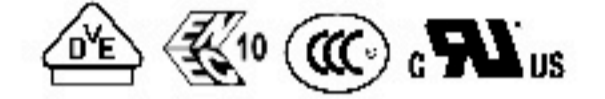
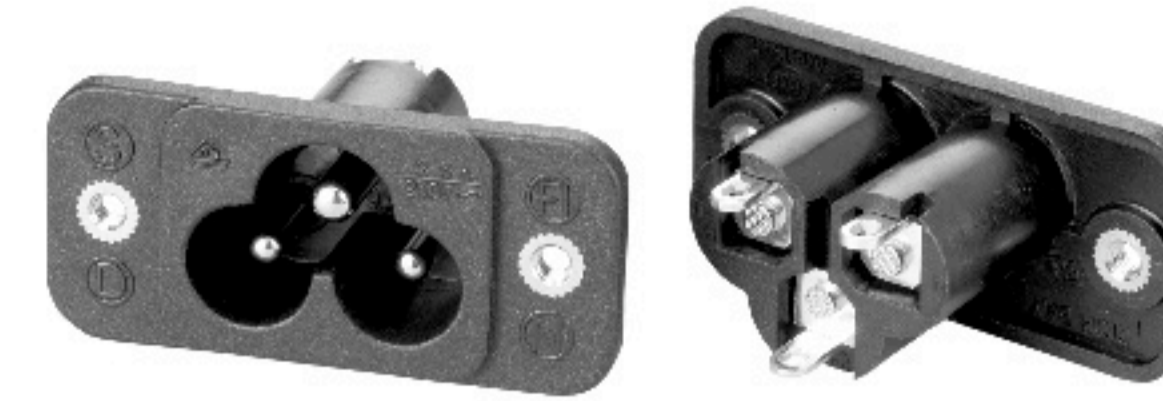
Dimensions



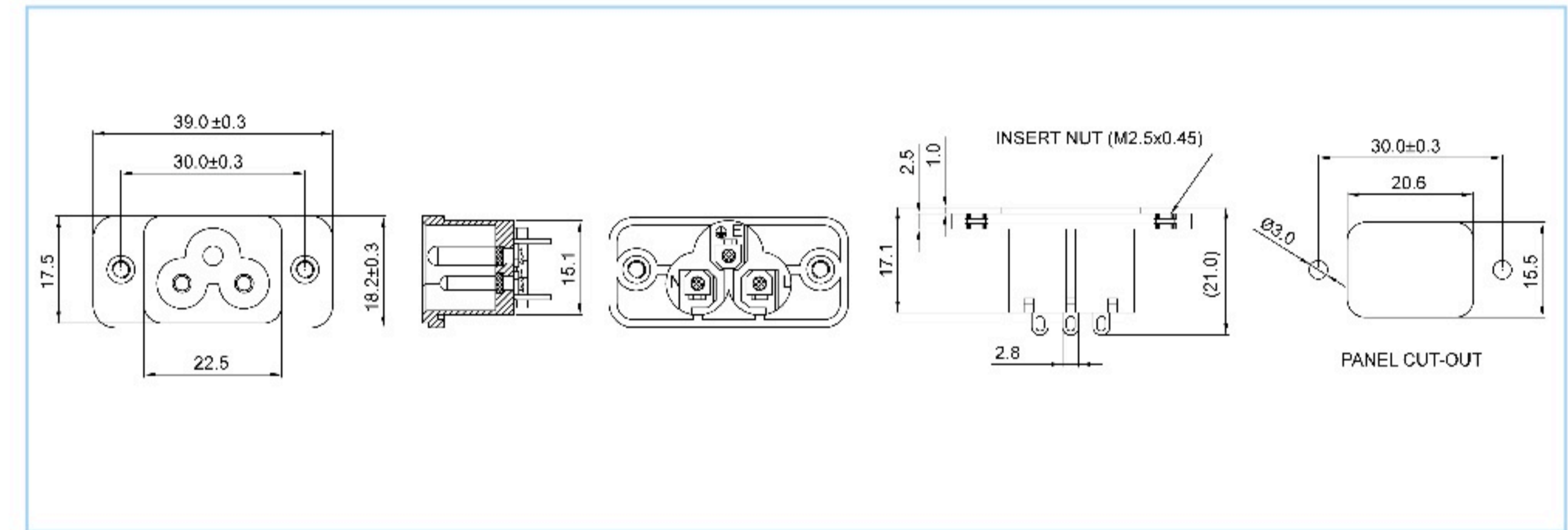
IEC C6 Series

R-307-B00

- ◆ Standard: IEC 60320 C6
- ◆ Rating: 2.5A 250V AC
- ◆ Insulation Resistance: 100MΩ 500V DC / 1 minute
- ◆ Dielectric Strength: 2000V AC / 1 minute
- ◆ Housing Material: Thermoplastic 94V-2~V-0

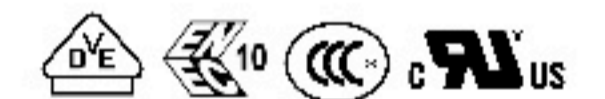
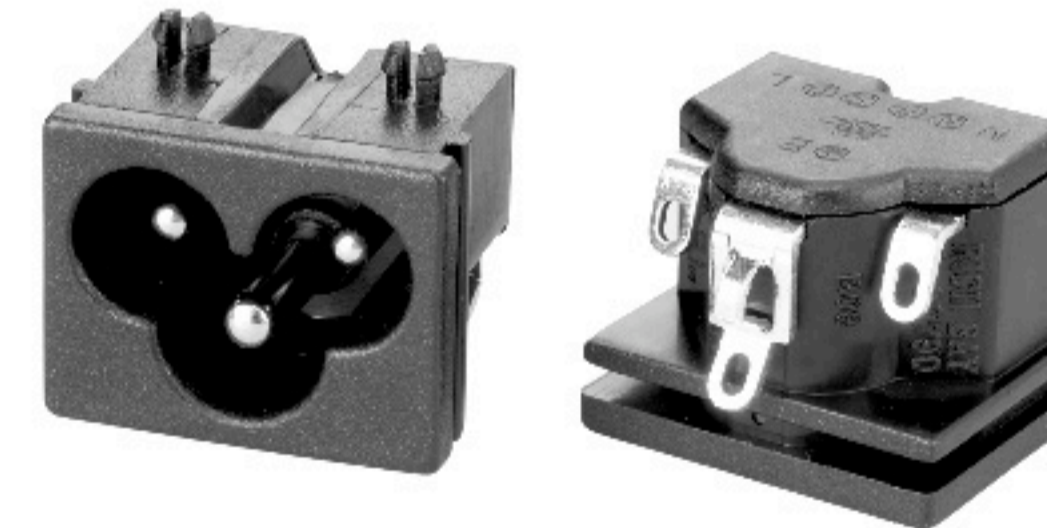


Dimensions

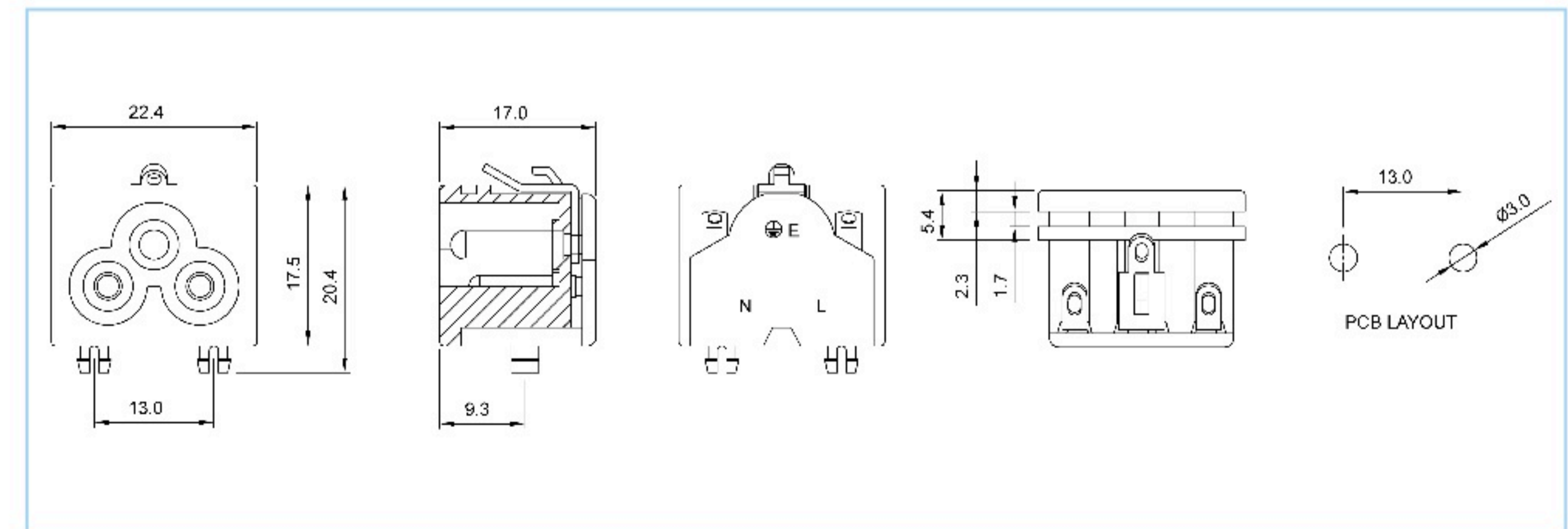


R-30790-B08

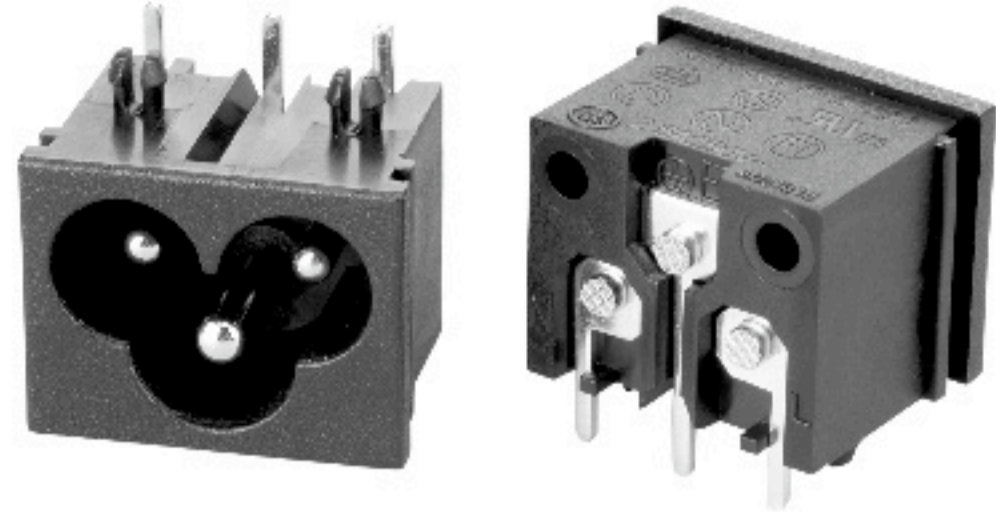
- ◆ Standard: IEC 60320 C6
- ◆ Rating: 2.5A 250V AC
- ◆ Insulation Resistance: 100MΩ 500V DC / 1 minute
- ◆ Dielectric Strength: 2000V AC / 1 minute
- ◆ Housing Material: Thermoplastic 94V-2~V-0



Dimensions



IEC C6 Series

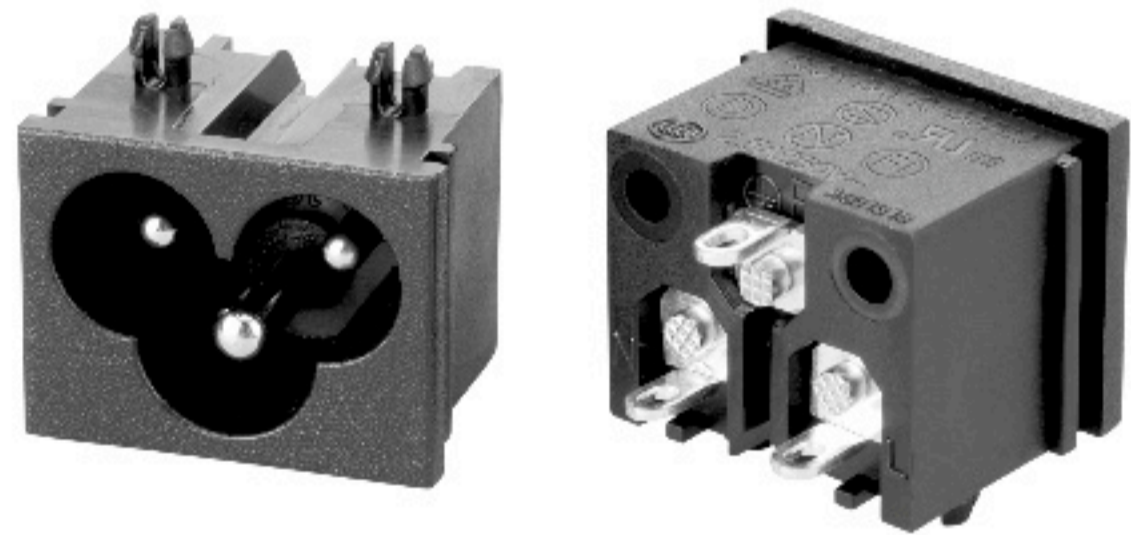
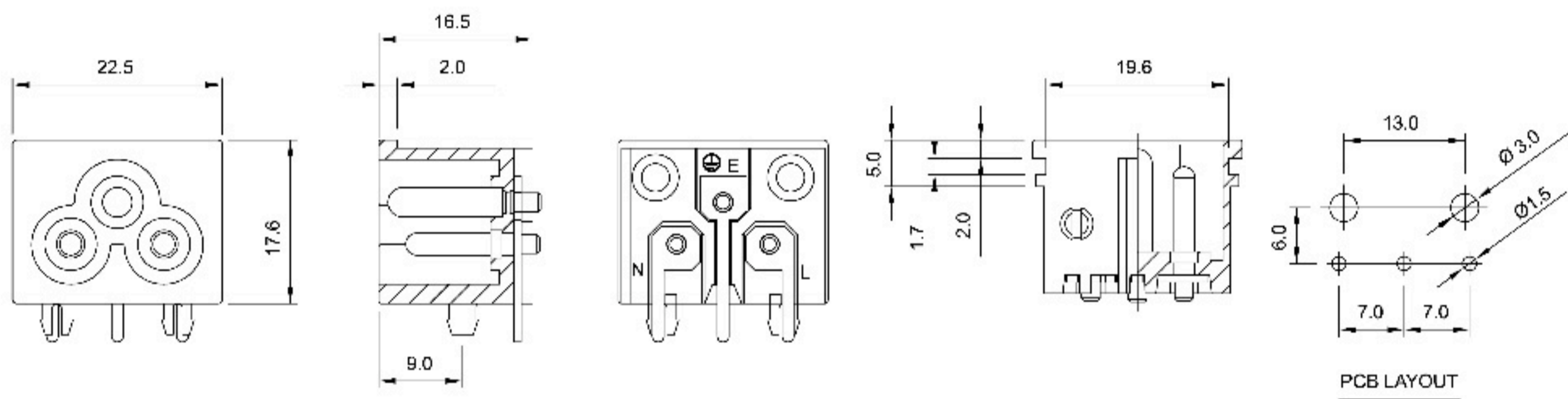


R-30790-01

- ◆ Standard: IEC 60320 C6
- ◆ Rating: 2.5A 250V AC
- ◆ Insulation Resistance: 100MΩ 500V DC / 1 minute
- ◆ Dielectric Strength: 2000V AC / 1 minute
- ◆ Housing Material: Thermoplastic 94V-2~V-0

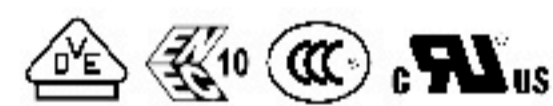


Dimensions

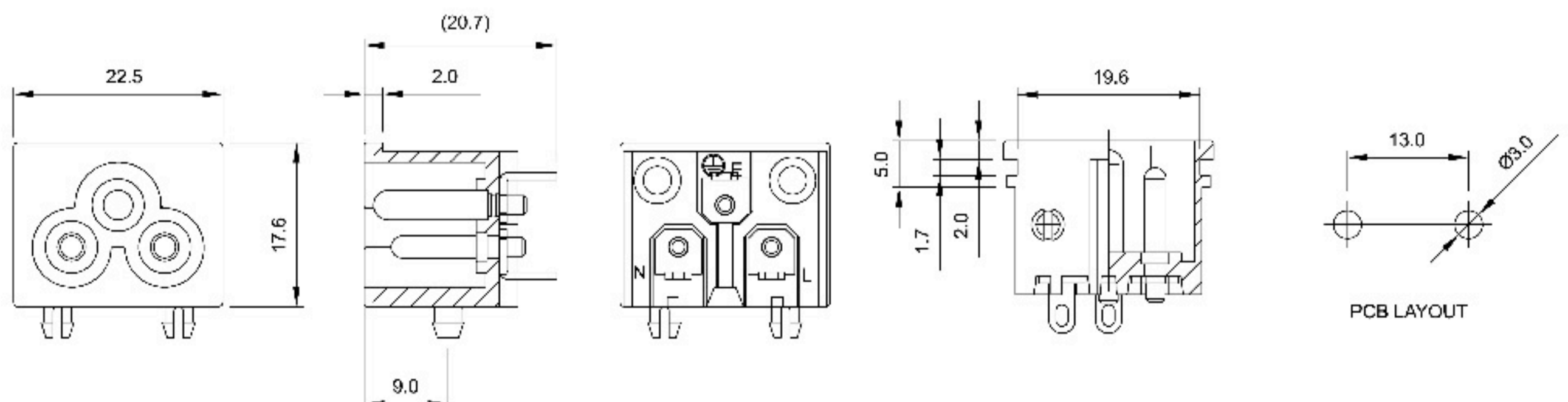


R-30790-03

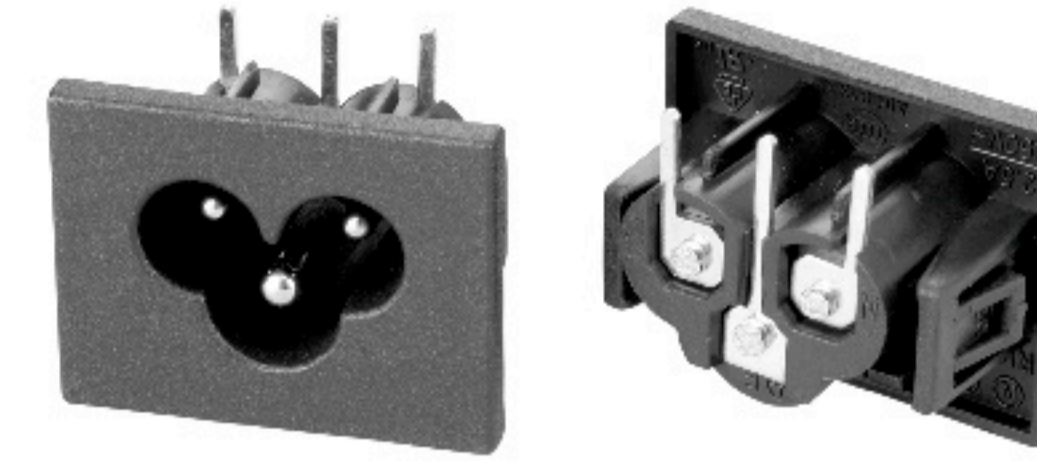
- ◆ Standard: IEC 60320 C6
- ◆ Rating: 2.5A 250V AC
- ◆ Insulation Resistance: 100MΩ 500V DC / 1 minute
- ◆ Dielectric Strength: 2000V AC / 1 minute
- ◆ Housing Material: Thermoplastic 94V-2~V-0



Dimensions



IEC C6 Series

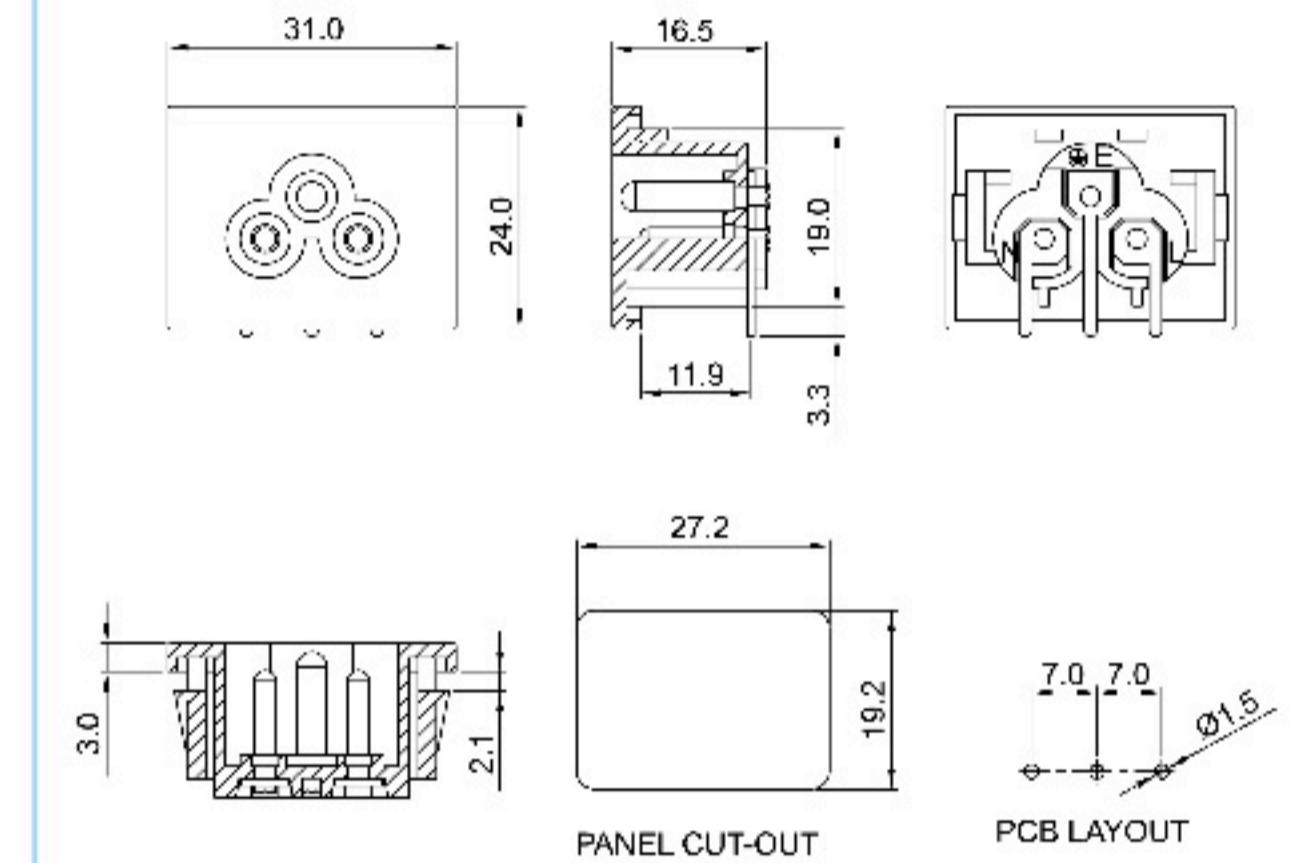


R-30790-B01

- ◆ Standard: IEC 60320 C6
- ◆ Rating: 2.5A 250V AC
- ◆ Insulation Resistance: 100MΩ 500V DC / 1 minute
- ◆ Dielectric Strength: 2000V AC / 1 minute
- ◆ Housing Material: Thermoplastic 94V-2~V-0



Dimensions

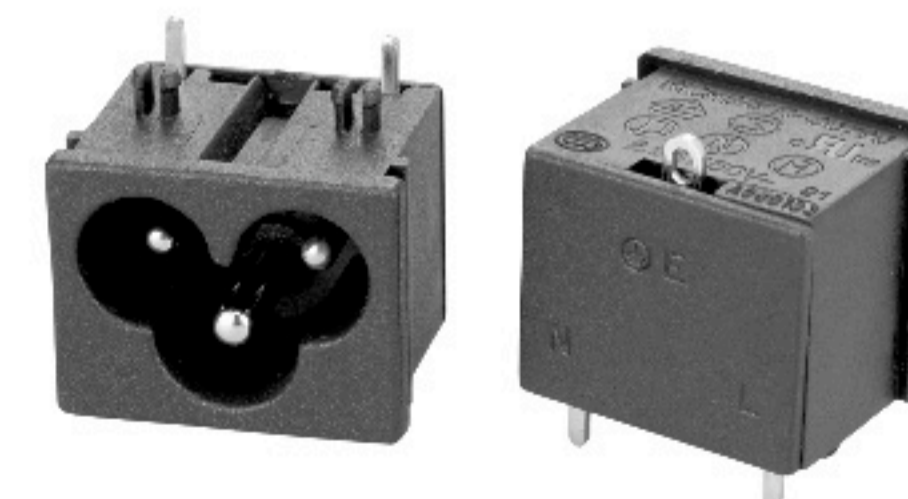
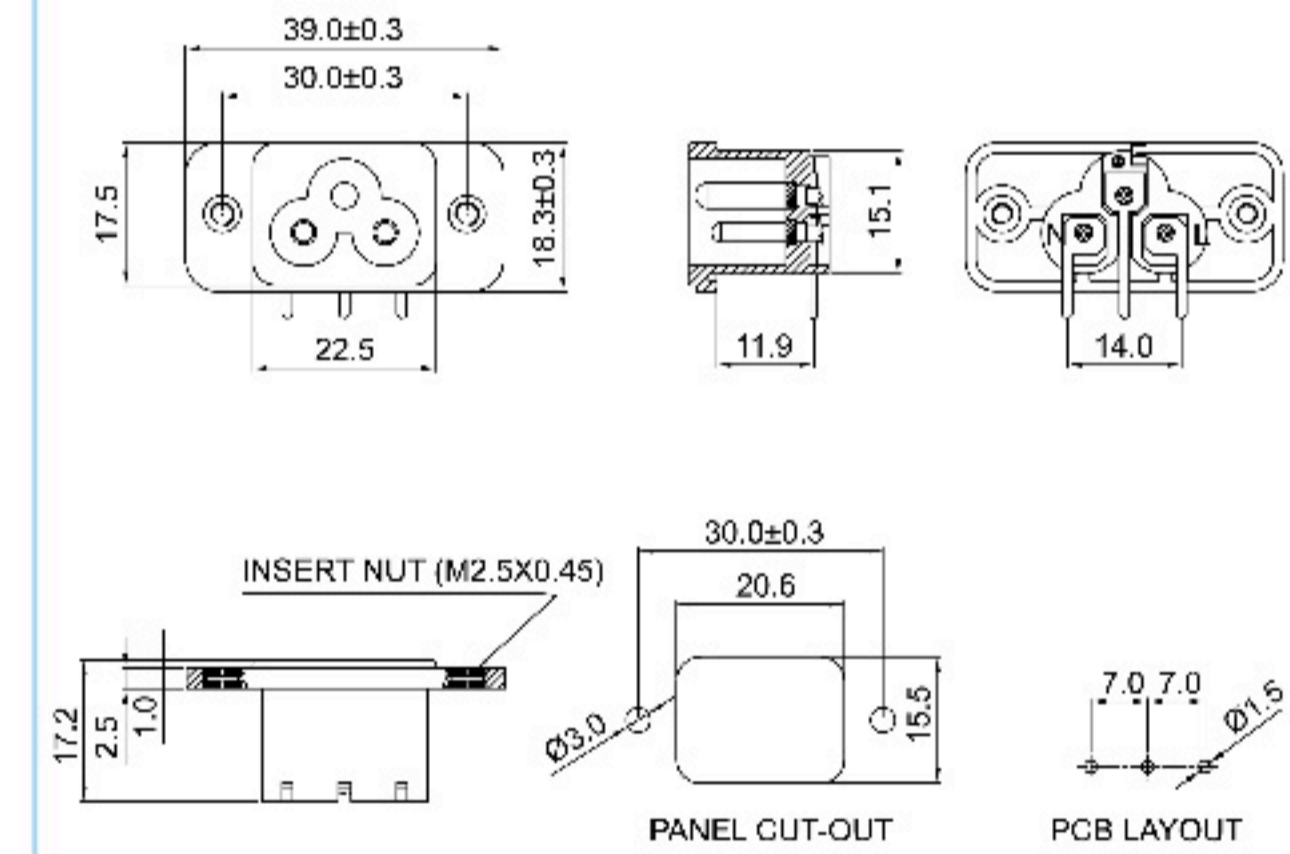


R-30790-B18

- ◆ Standard: IEC 60320 C6
- ◆ Rating: 2.5A 250V AC
- ◆ Insulation Resistance: 100MΩ 500V DC / 1 minute
- ◆ Dielectric Strength: 2000V AC / 1 minute
- ◆ Housing Material: Thermoplastic 94V-2~V-0

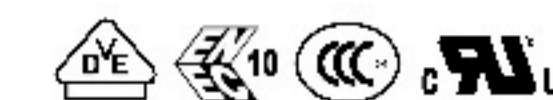


Dimensions

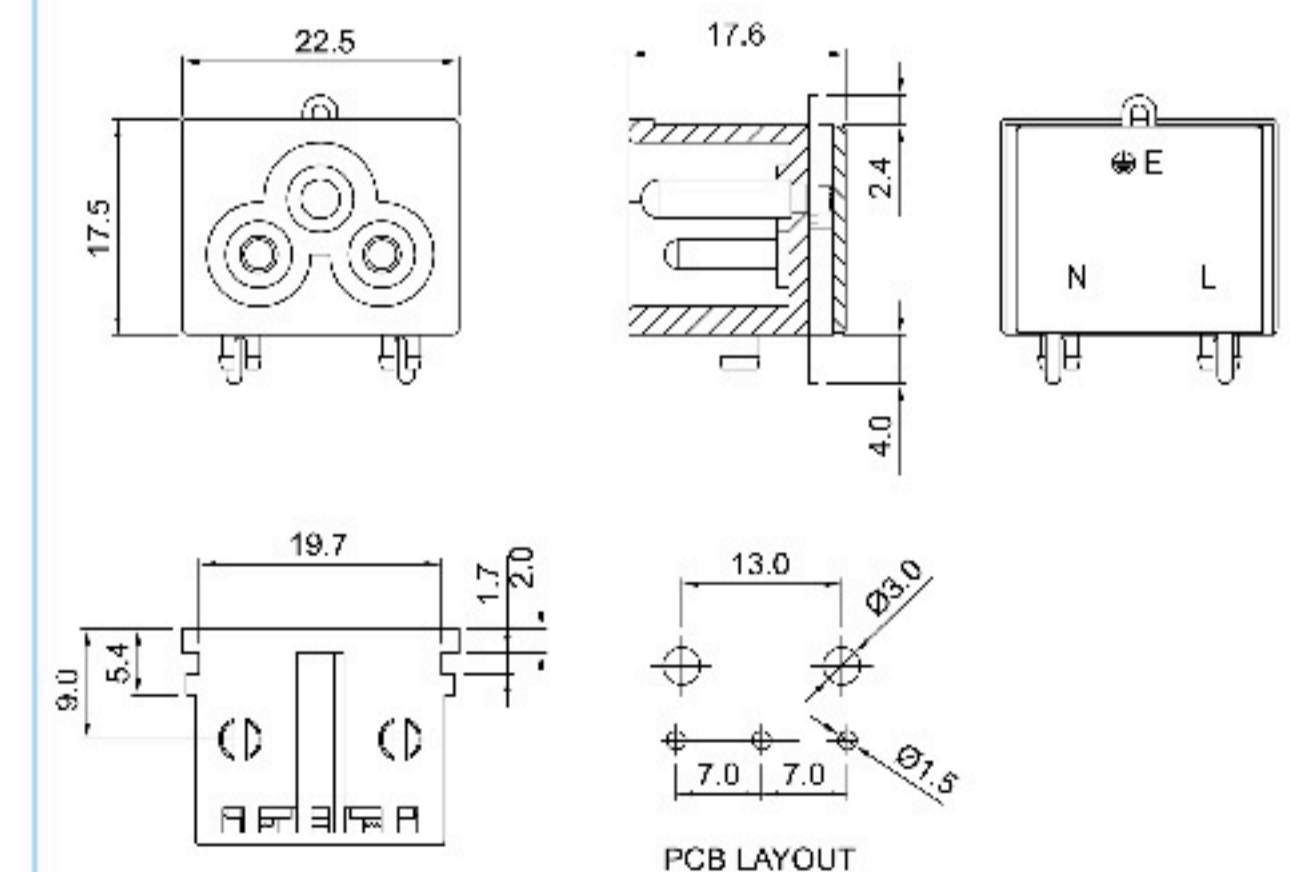


R-30790-B26

- ◆ Standard: IEC 60320 C6
- ◆ Rating: 2.5A 250V AC
- ◆ Insulation Resistance: 100MΩ 500V DC / 1 minute
- ◆ Dielectric Strength: 2000V AC / 1 minute
- ◆ Housing Material: Thermoplastic 94V-2~V-0



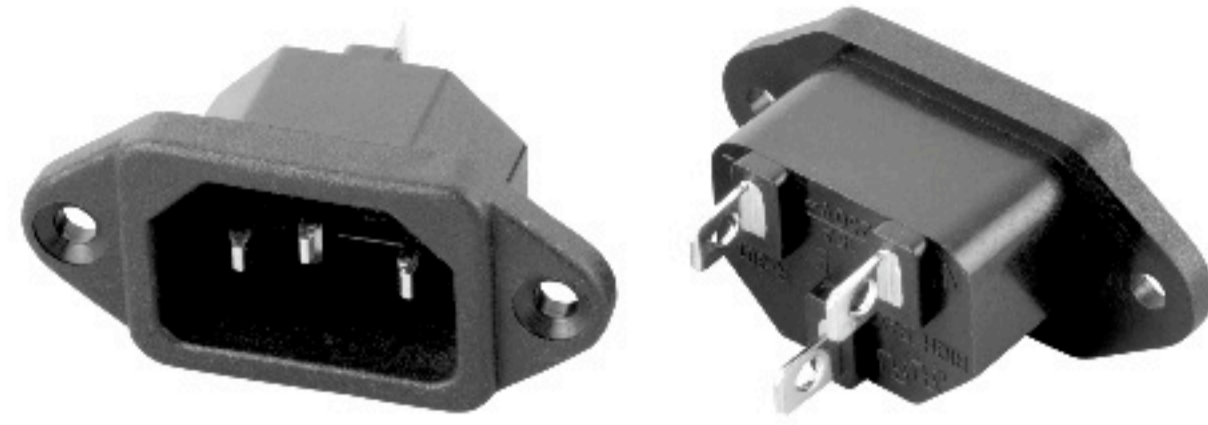
Dimensions



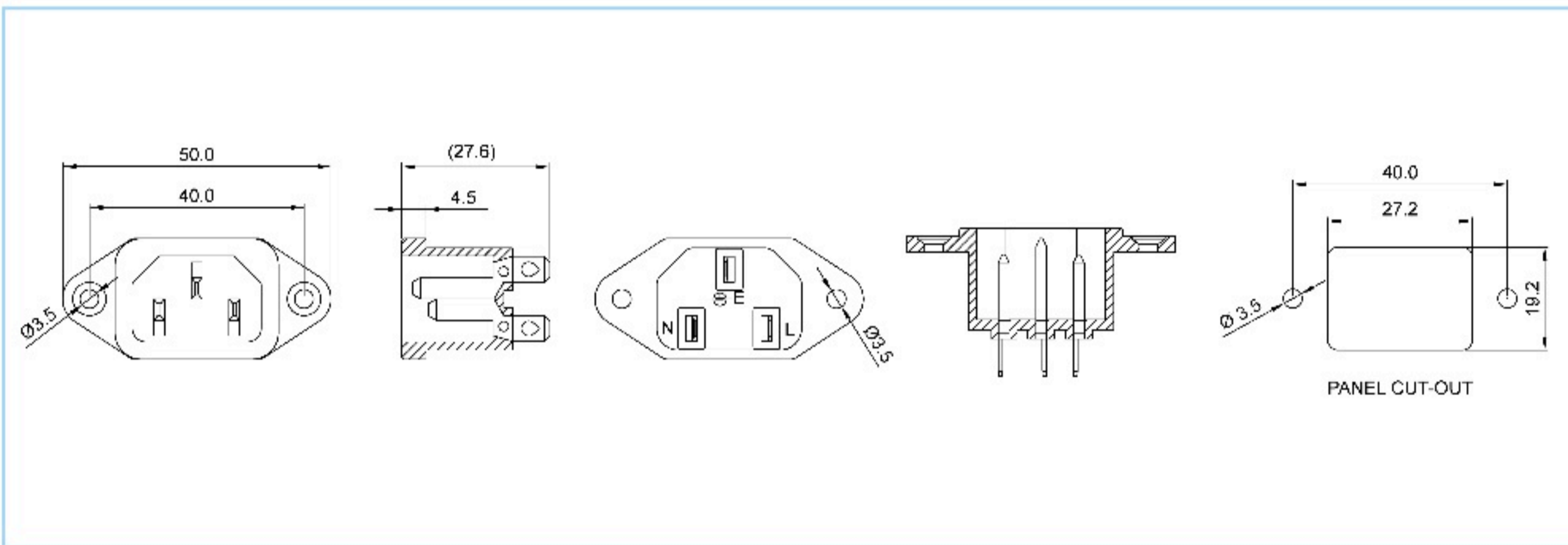
IEC C14 Series

R-301-B00

- ◆ Standard: IEC 60320 C14
- ◆ Rating: 15A 250V AC / 10A 250V AC
- ◆ Insulation Resistance: 100MΩ 500V DC / 1 minute
- ◆ Dielectric Strength: 2000V AC / 1 minute
- ◆ Housing Material: Thermoplastic 94V-2~V-0

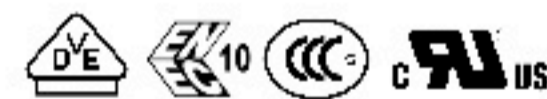


Dimensions

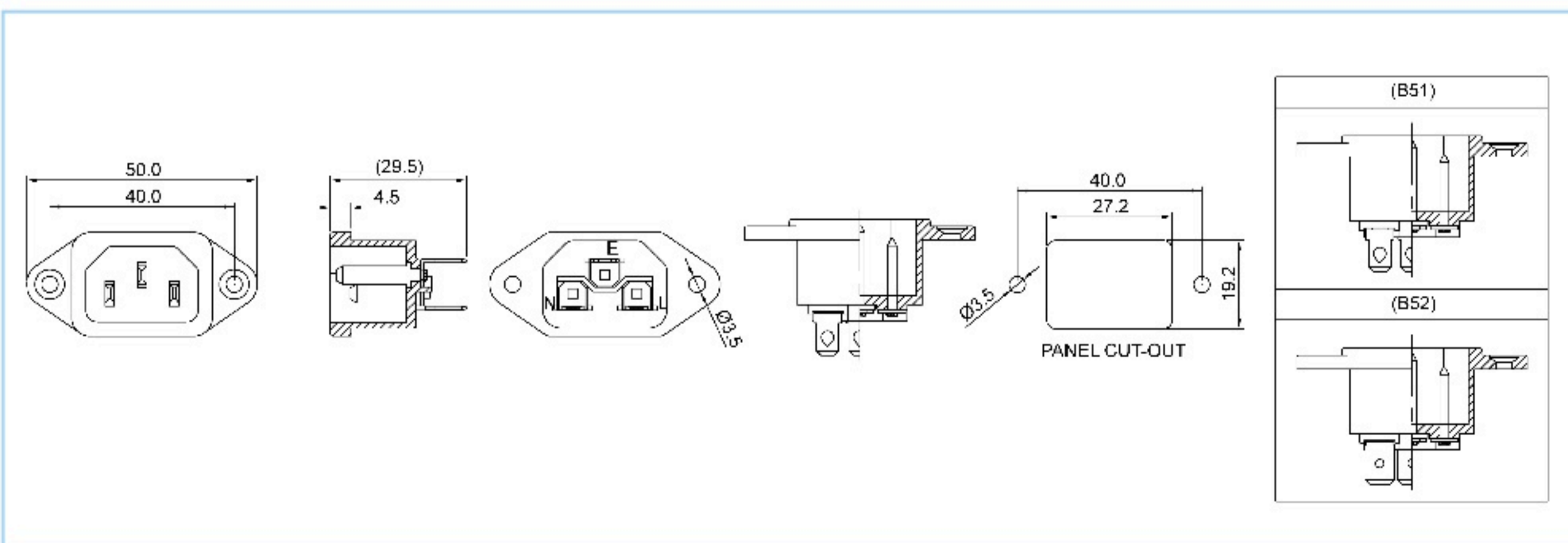


R-301-B51

- ◆ Standard: IEC 60320 C14
- ◆ Rating: 15A 250V AC / 10A 250V AC
- ◆ Insulation Resistance: 100MΩ 500V DC / 1 minute
- ◆ Dielectric Strength: 2000V AC / 1 minute
- ◆ Housing Material: Thermoplastic 94V-2~V-0



Dimensions



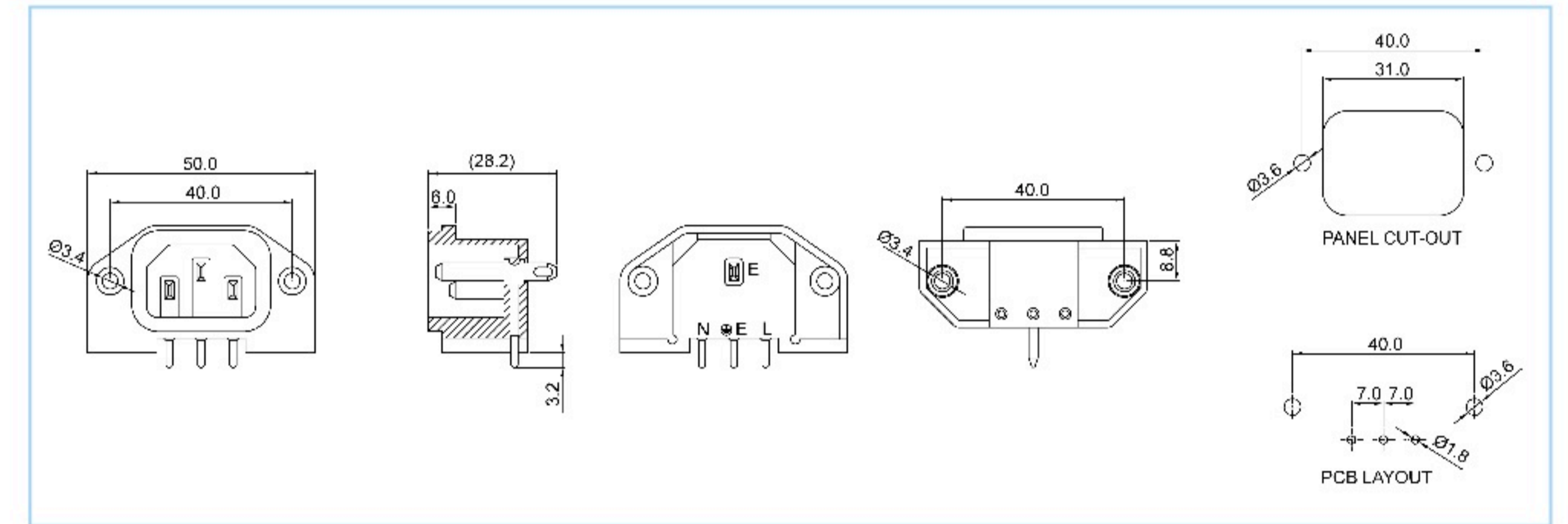
IEC C14 Series

R-30190-B00

- ◆ Standard: IEC 60320 C14
- ◆ Rating: 15A 250V AC / 10A 250V AC
- ◆ Insulation Resistance: 100MΩ 500V DC / 1 minute
- ◆ Dielectric Strength: 2000V AC / 1 minute
- ◆ Housing Material: Thermoplastic 94V-2~V-0

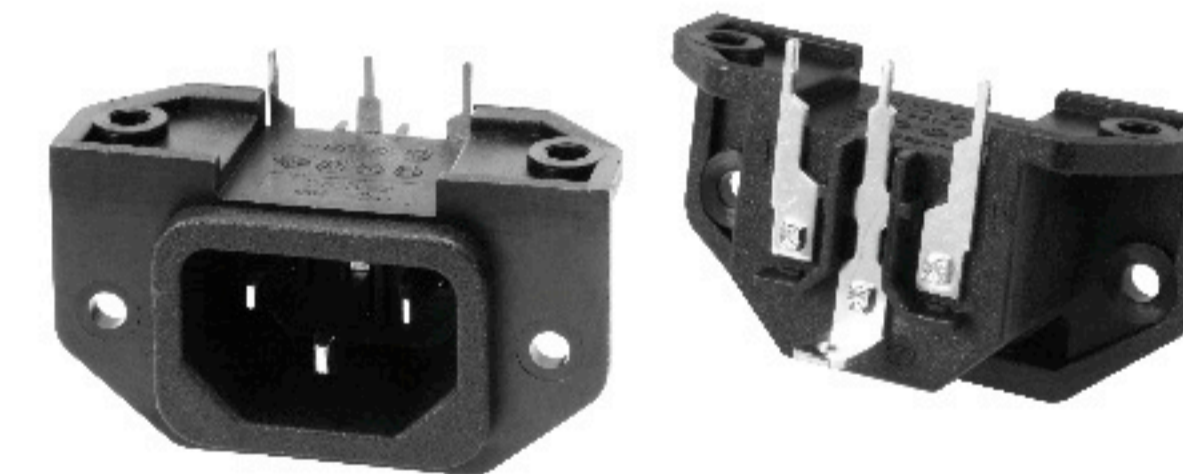


Dimensions

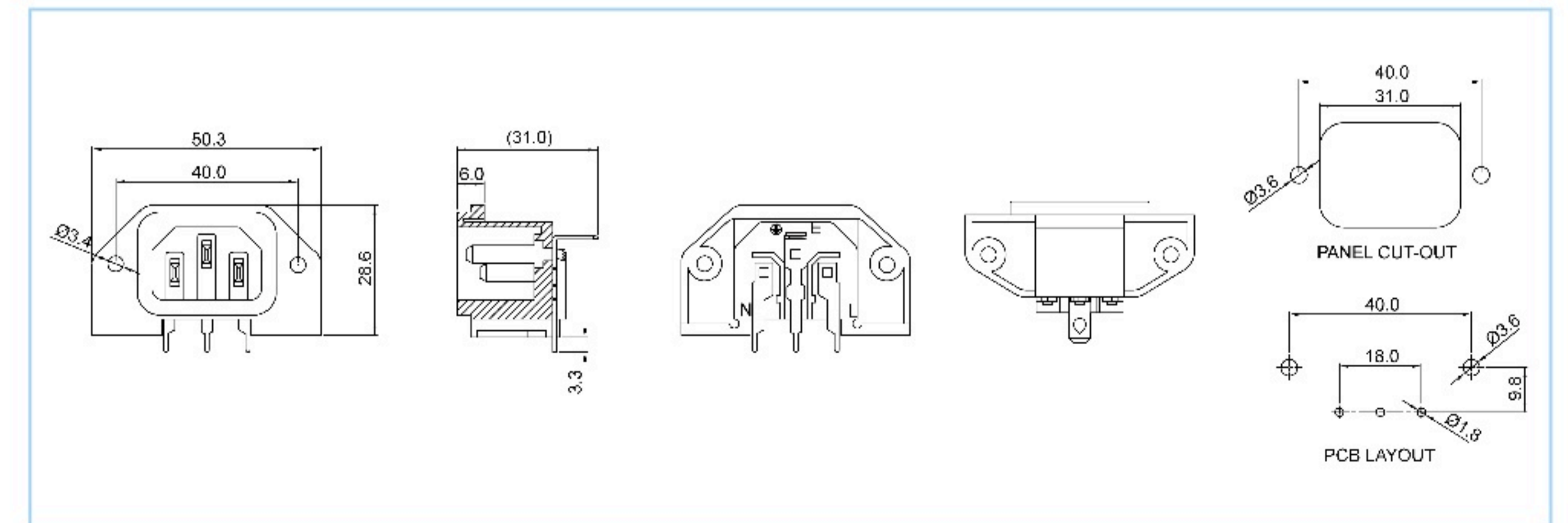


R-30190-18

- ◆ Standard: IEC 60320 C14
- ◆ Rating: 15A 250V AC / 10A 250V AC
- ◆ Insulation Resistance: 100MΩ 500V DC / 1 minute
- ◆ Dielectric Strength: 2000V AC / 1 minute
- ◆ Housing Material: Thermoplastic 94V-2~V-0



Dimensions



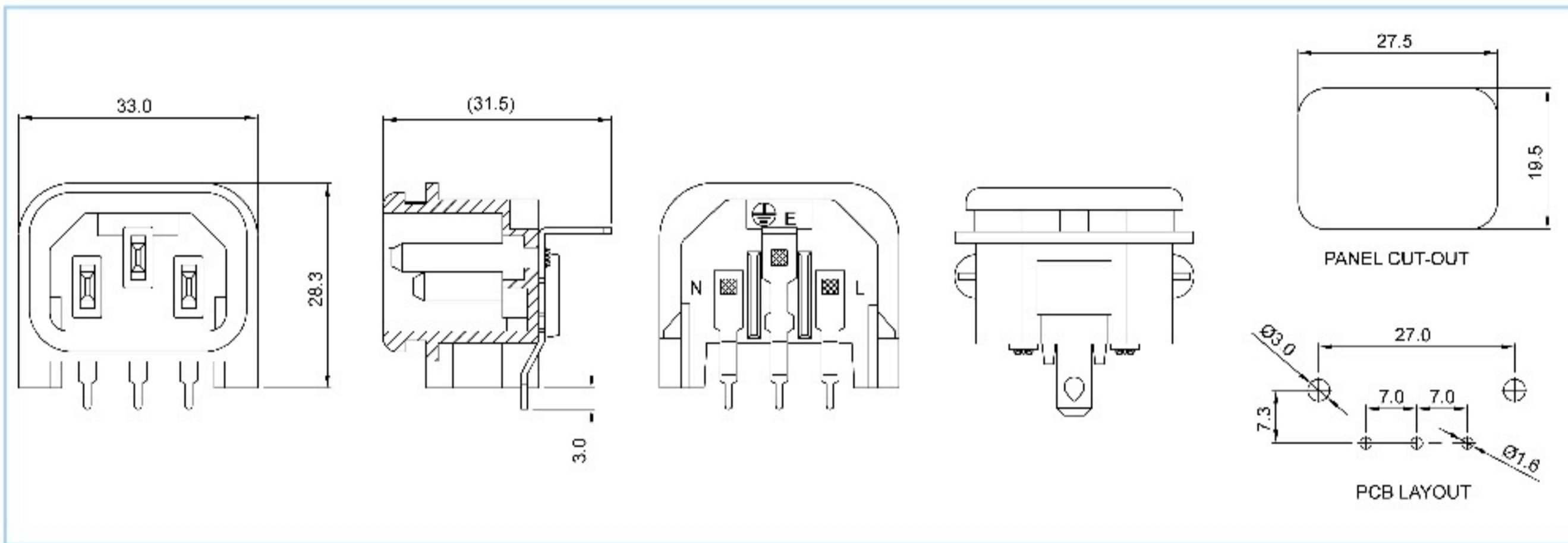
IEC C14 Series

R-30190-60

- ◆ Standard: IEC 60320 C14
- ◆ Rating: 15A 250V AC / 10A 250V AC
- ◆ Insulation Resistance: 100MΩ 500V DC / 1 minute
- ◆ Dielectric Strength: 2000V AC / 1 minute
- ◆ Housing Material: Thermoplastic 94V-2~V-0

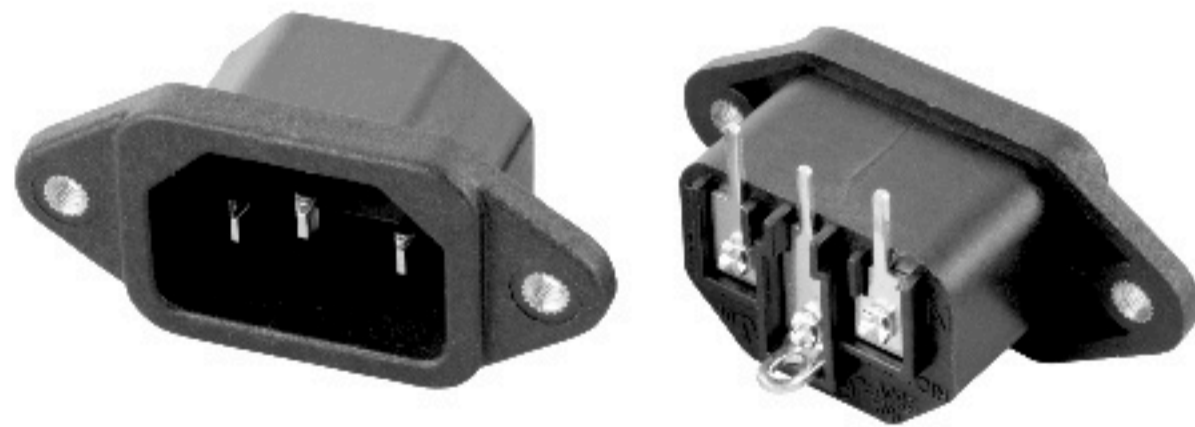


Dimensions

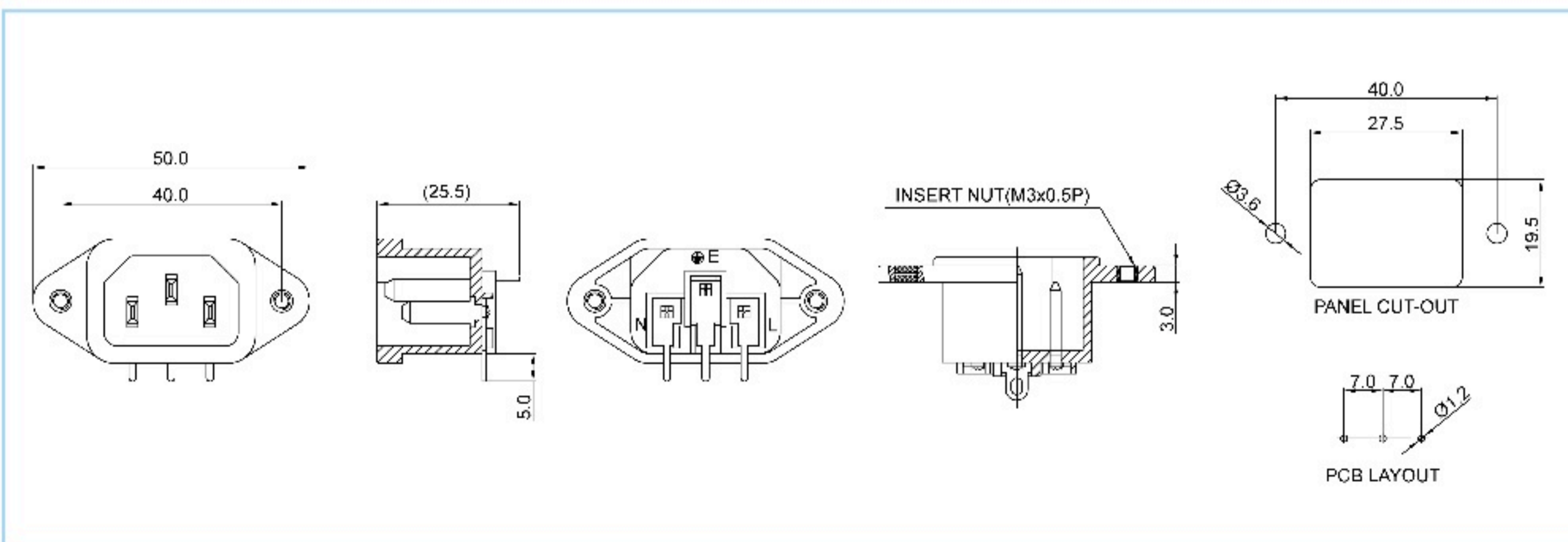


R-30190-B39

- ◆ Standard: IEC 60320 C14
- ◆ Rating: 15A 250V AC / 10A 250V AC
- ◆ Insulation Resistance: 100MΩ 500V DC / 1 minute
- ◆ Dielectric Strength: 2000V AC / 1 minute
- ◆ Housing Material: Thermoplastic 94V-2~V-0



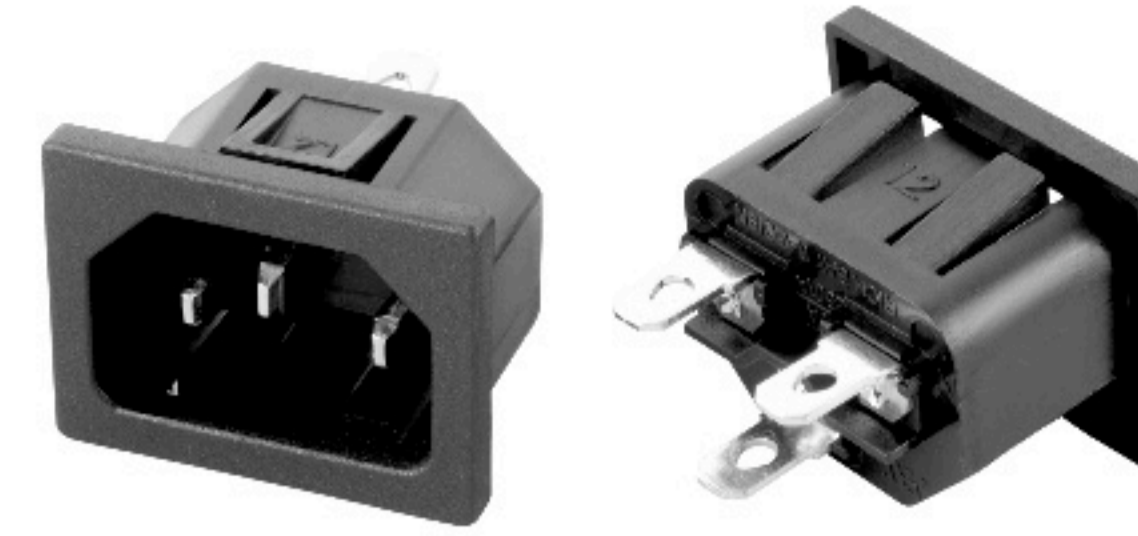
Dimensions



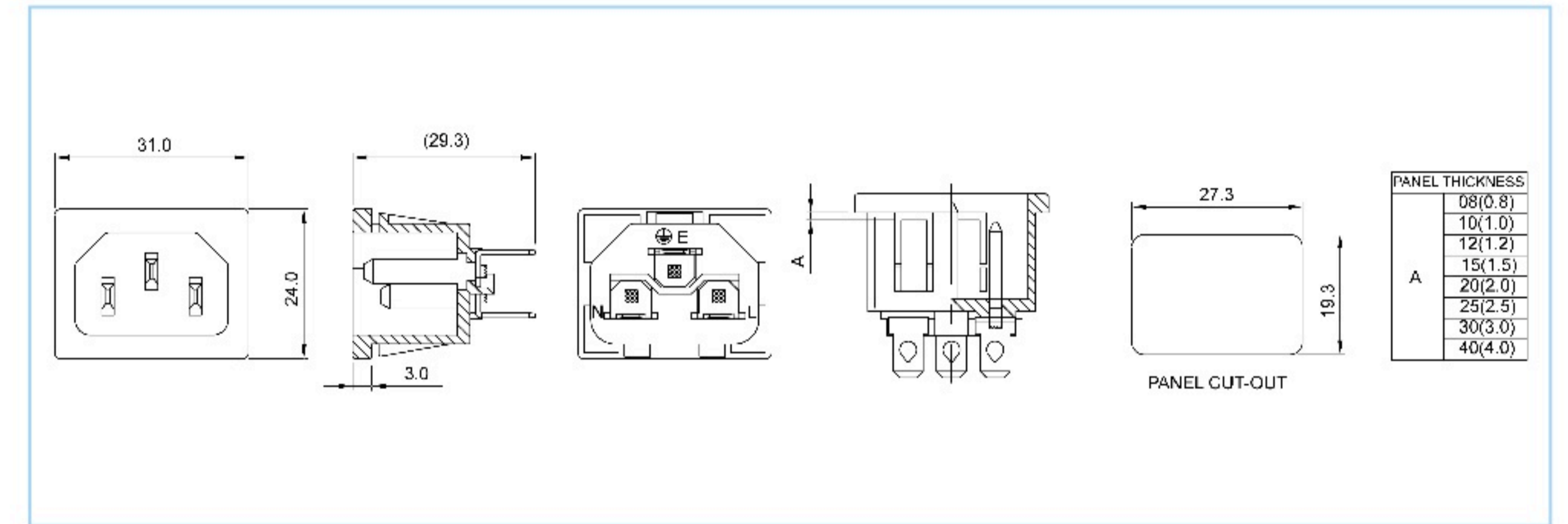
IEC C14 Series

R-301SN-01

- ◆ Standard: IEC 60320 C14
- ◆ Rating: 15A 250V AC / 10A 250V AC
- ◆ Insulation Resistance: 100MΩ 500V DC / 1 minute
- ◆ Dielectric Strength: 2000V AC / 1 minute
- ◆ Housing Material: Thermoplastic 94V-2~V-0

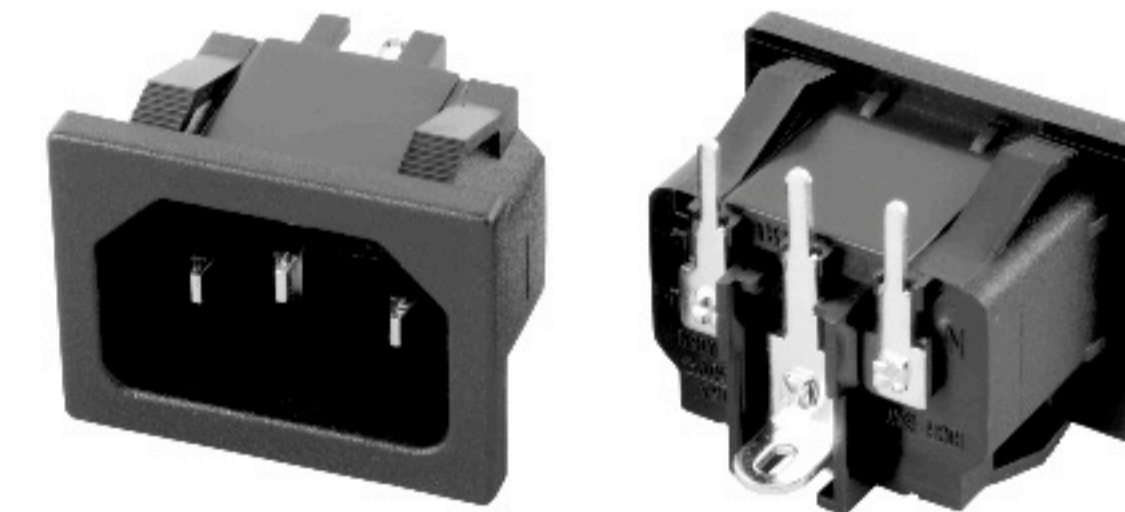


Dimensions

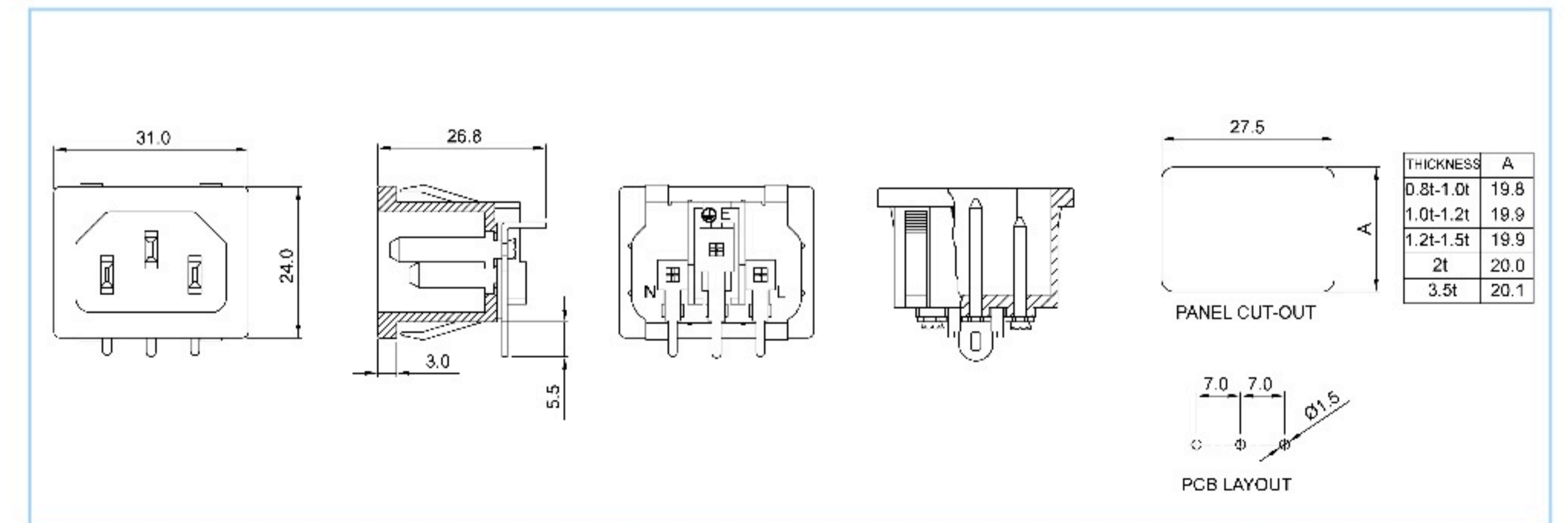


R-301SN-12B

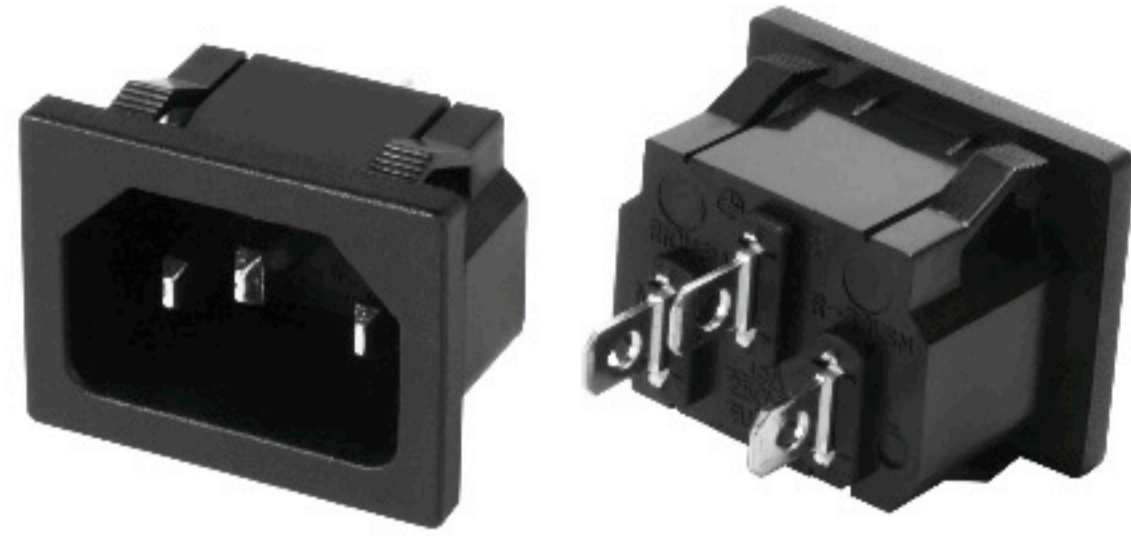
- ◆ Standard: IEC 60320 C14
- ◆ Rating: 15A 250V AC / 10A 250V AC
- ◆ Insulation Resistance: 100MΩ 500V DC / 1 minute
- ◆ Dielectric Strength: 2000V AC / 1 minute
- ◆ Housing Material: Thermoplastic 94V-2~V-0



Dimensions



IEC C14 Series

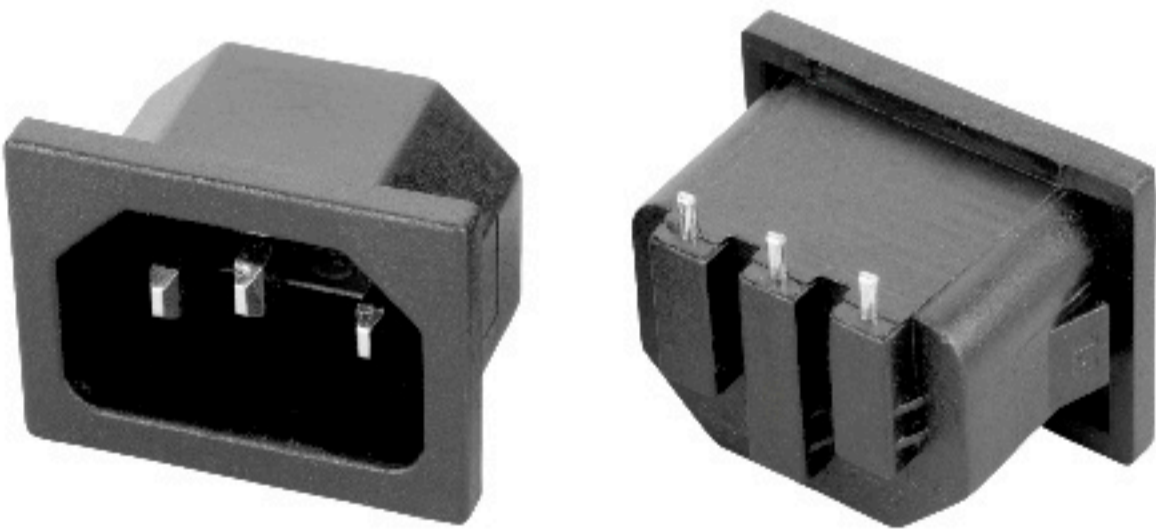
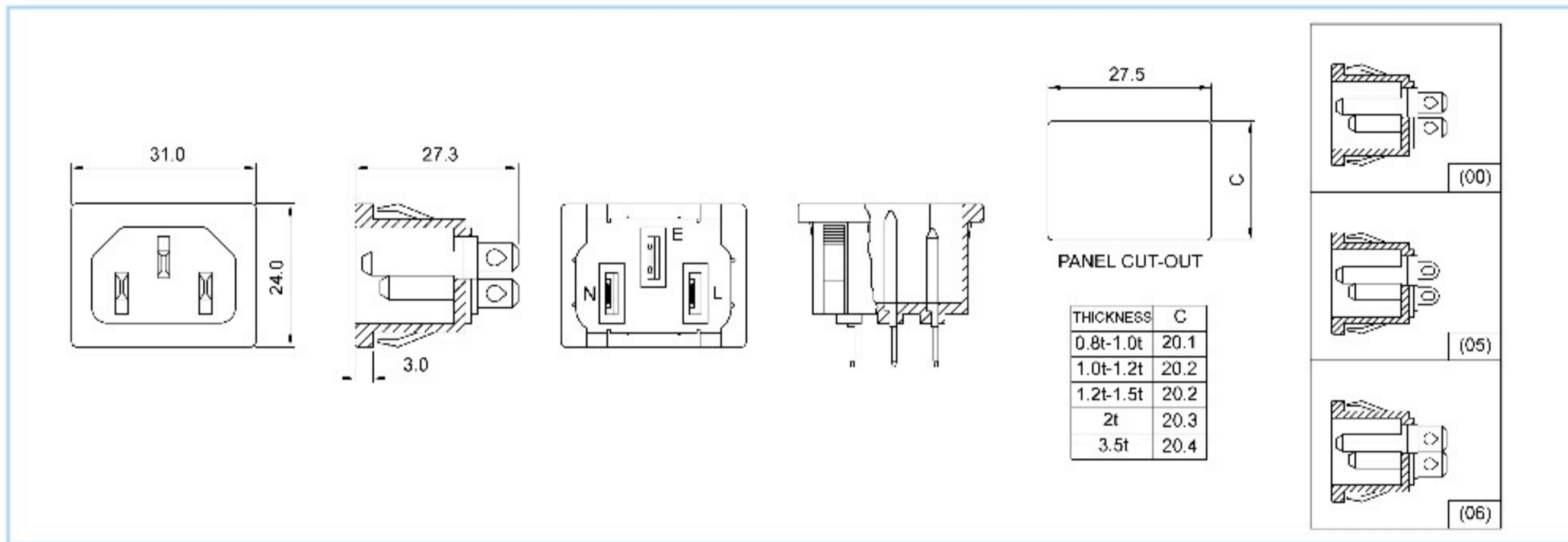


R-301SN-00

- ◆ Standard: IEC 60320 C14
- ◆ Rating: 15A 250V AC / 10A 250V AC
- ◆ Insulation Resistance: 100MΩ 500V DC / 1 minute
- ◆ Dielectric Strength: 2000V AC / 1 minute
- ◆ Housing Material: Thermoplastic 94V-2~V-0



Dimensions

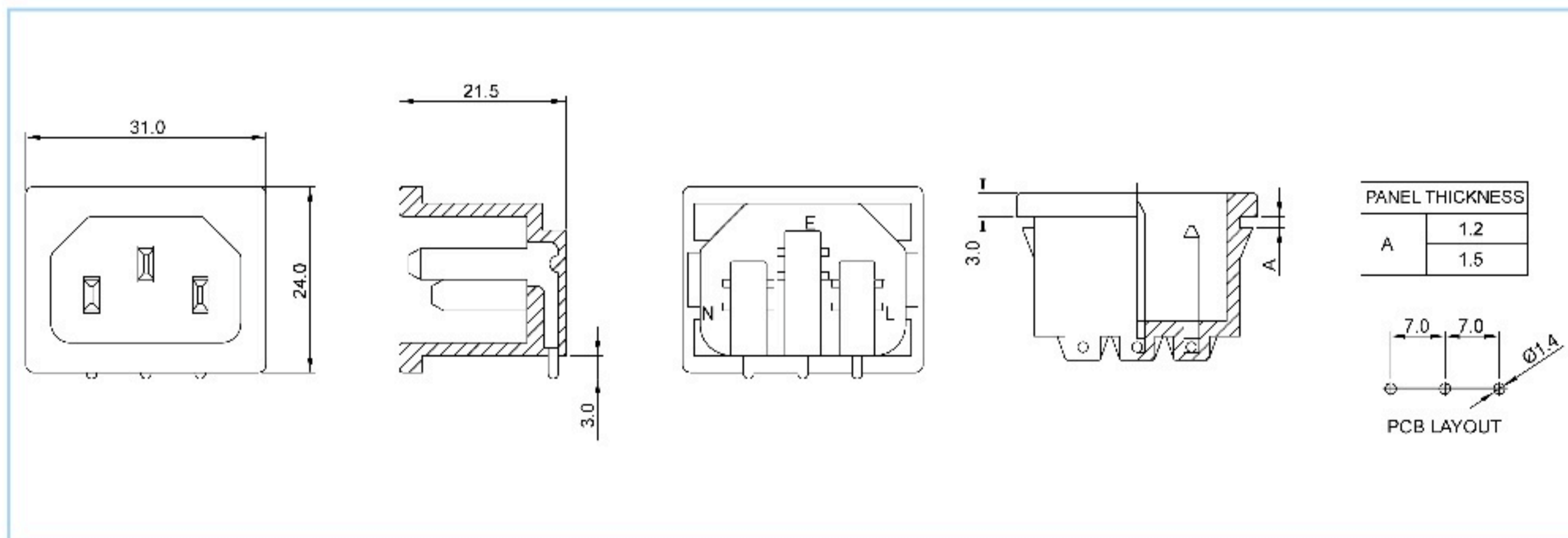


R-301SN-C01

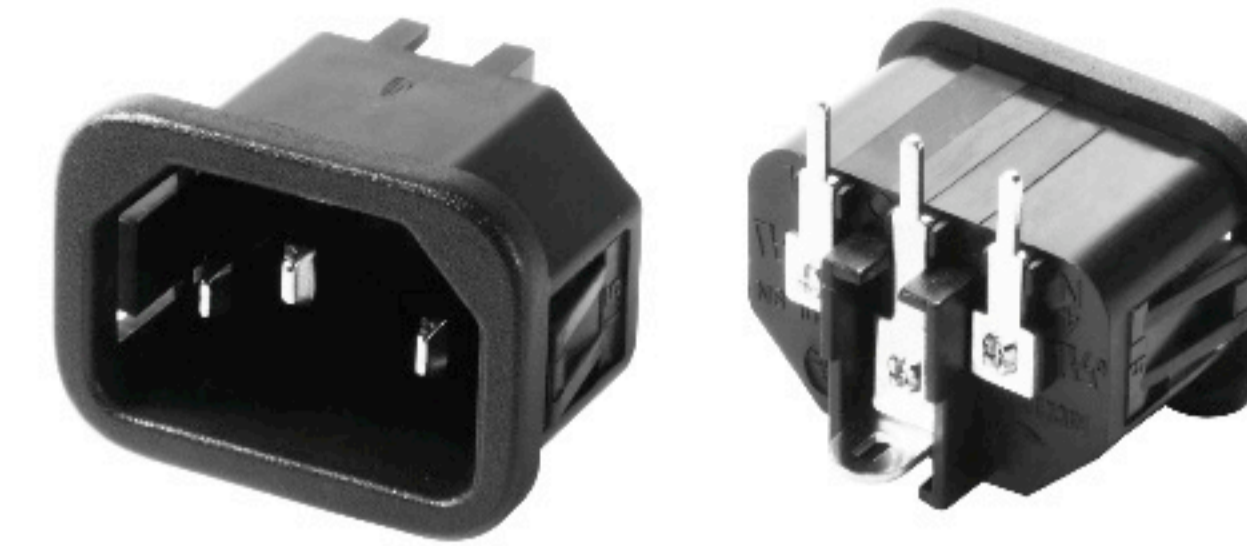
- ◆ Standard: IEC 60320 C14
- ◆ Rating: 15A 250V AC / 10A 250V AC
- ◆ Insulation Resistance: 100MΩ 500V DC / 1 minute
- ◆ Dielectric Strength: 2000V AC / 1 minute
- ◆ Housing Material: Thermoplastic 94V-2~V-0



Dimensions



IEC C14 Series

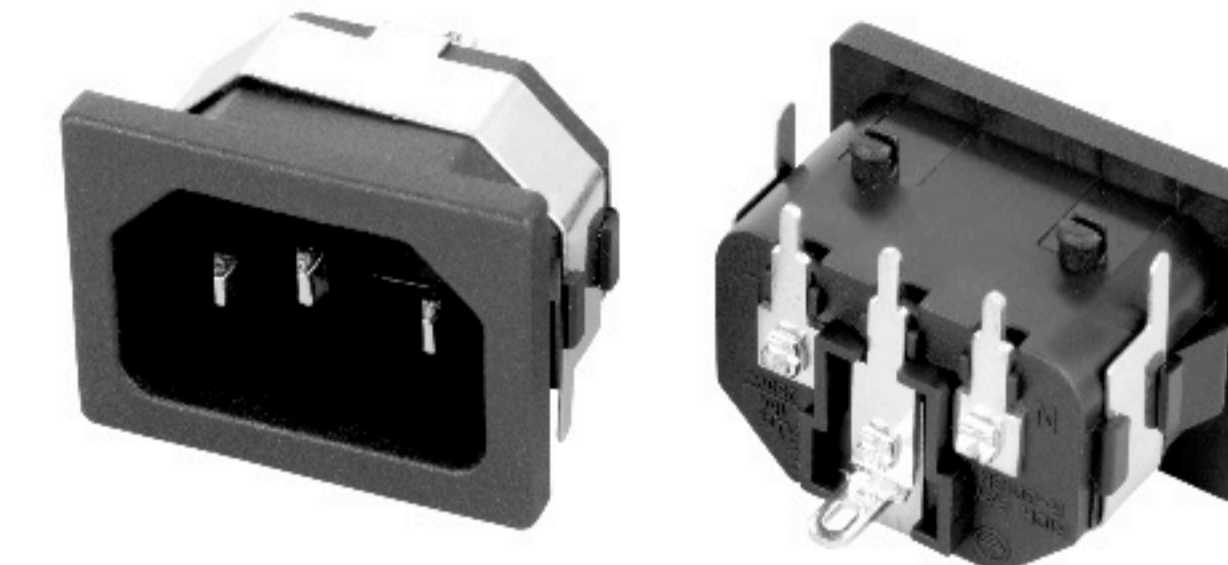
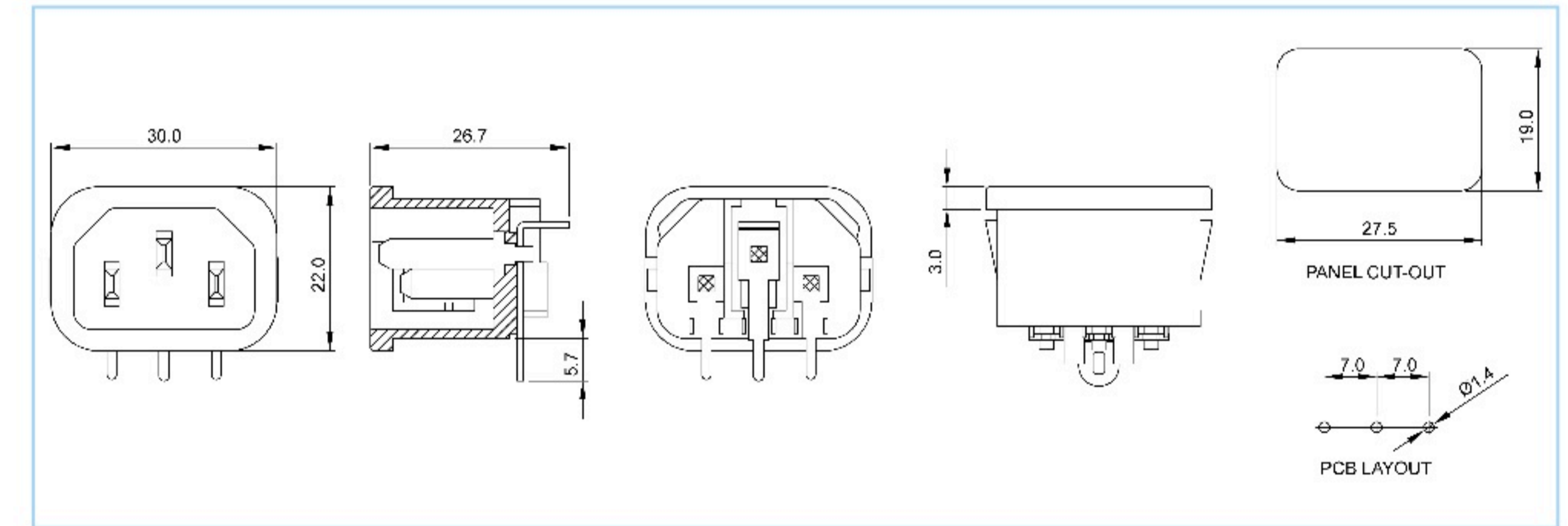


R-301SN-C49

- ◆ Standard: IEC 60320 C14
- ◆ Rating: 15A 250V AC / 10A 250V AC
- ◆ Insulation Resistance: 100MΩ 500V DC / 1 minute
- ◆ Dielectric Strength: 2000V AC / 1 minute
- ◆ Housing Material: Thermoplastic 94V-2~V-0



Dimensions

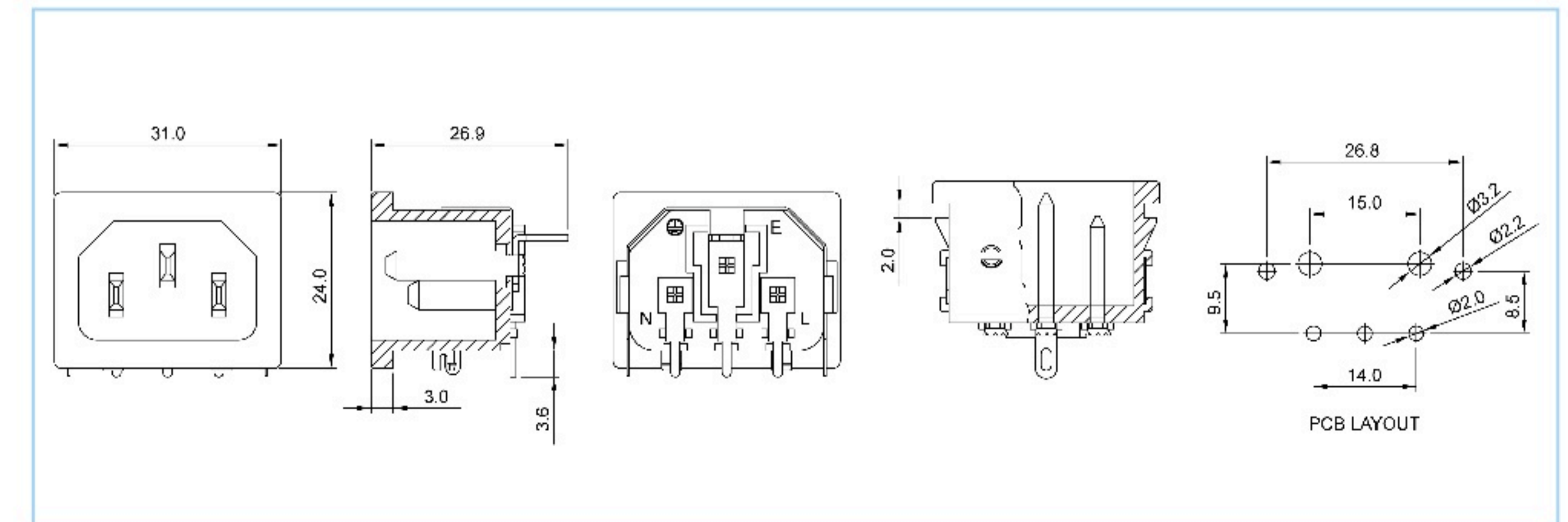


R-301SN-B216

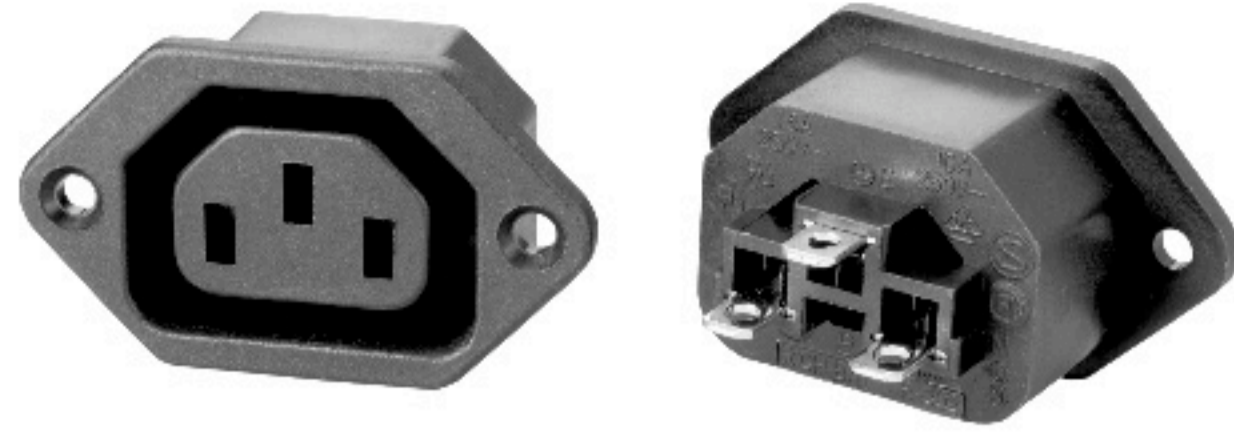
- ◆ Standard: IEC 60320 C14
- ◆ Rating: 15A 250V AC / 10A 250V AC
- ◆ Insulation Resistance: 100MΩ 500V DC / 1 minute
- ◆ Dielectric Strength: 2000V AC / 1 minute
- ◆ Housing Material: Thermoplastic 94V-2~V-0



Dimensions

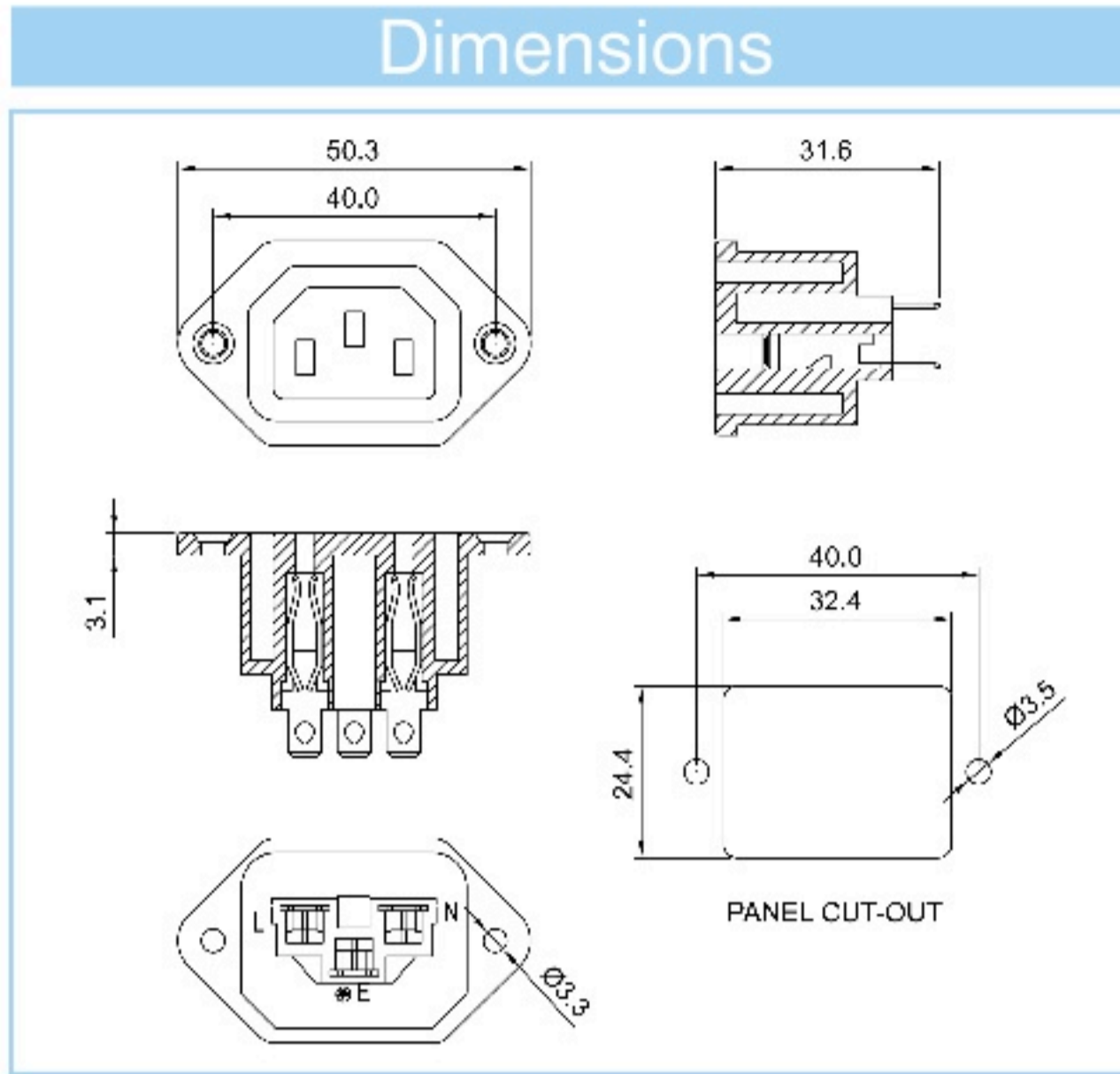


IEC F(C13) Series

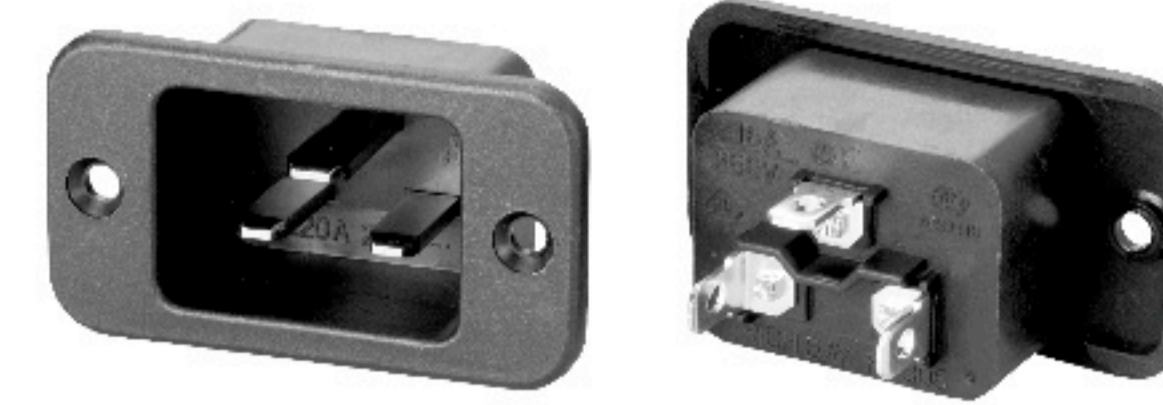


R-302

- ◆ Standard: IEC 60320 F
- ◆ Rating: 15A 250V AC / 10A 250V AC
- ◆ Insulation Resistance: 100MΩ 500V DC / 1 minute
- ◆ Dielectric Strength: 2000V AC / 1 minute
- ◆ Housing Material: Thermoplastic 94V-2~V-0

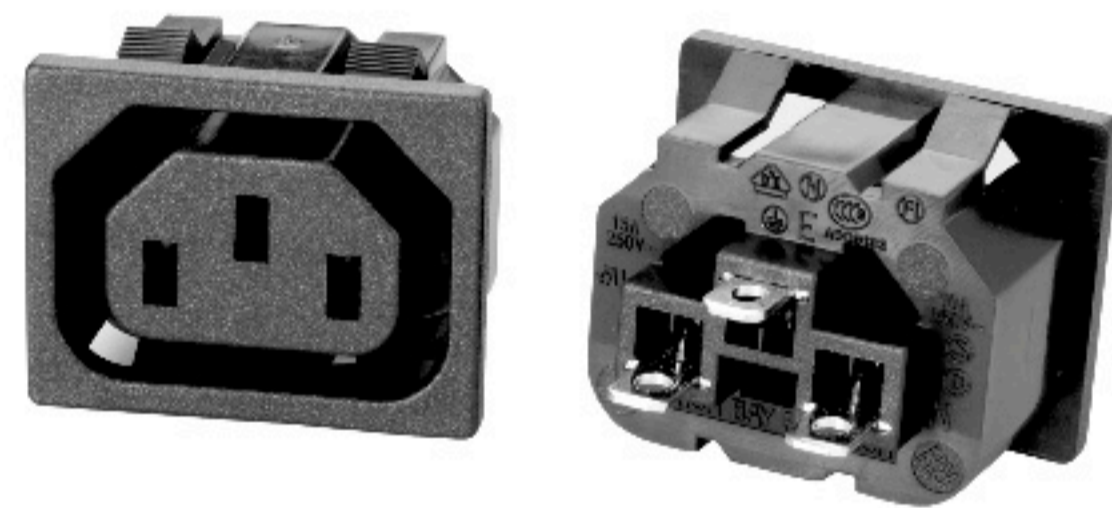
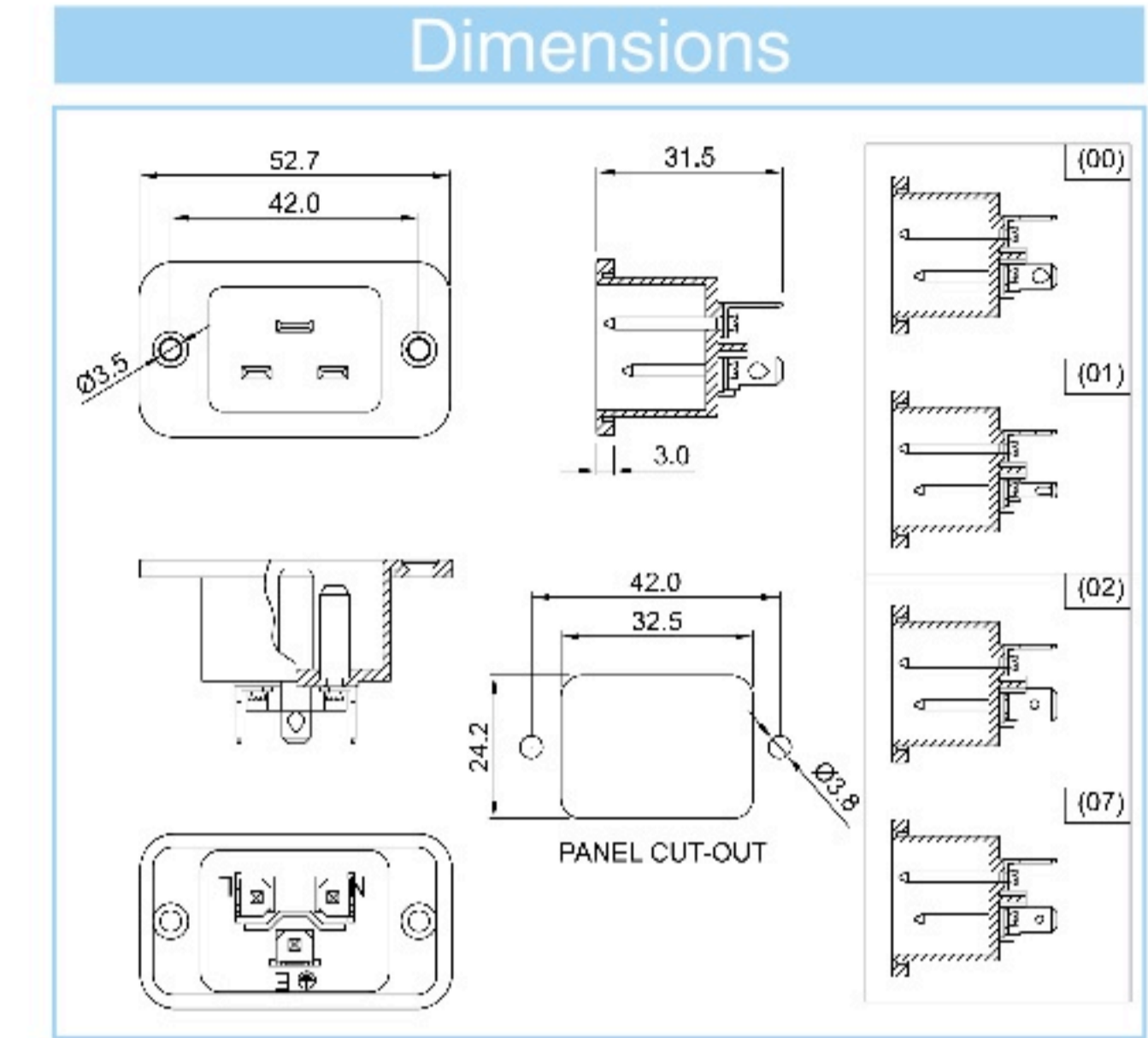
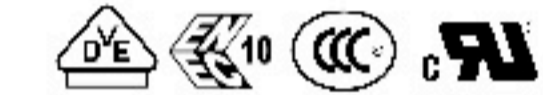


IEC C20 Series



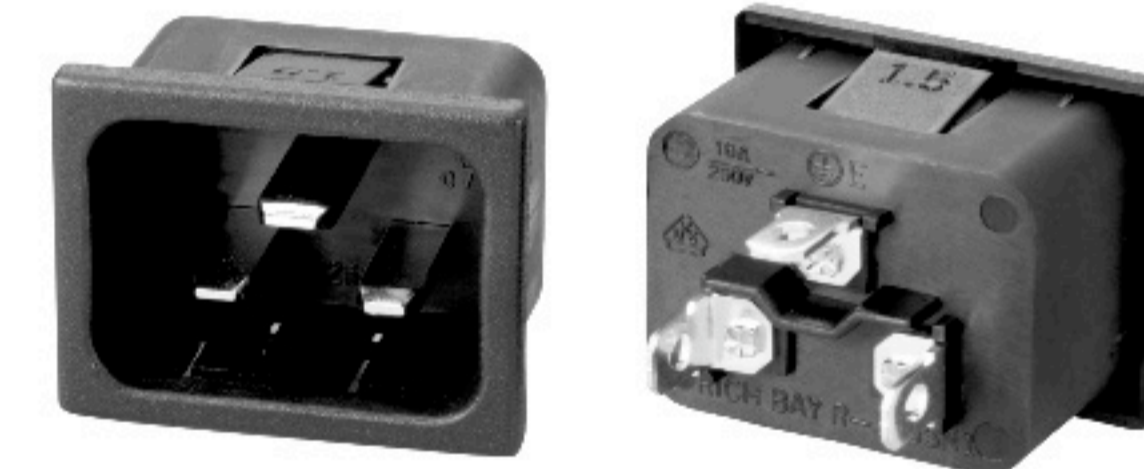
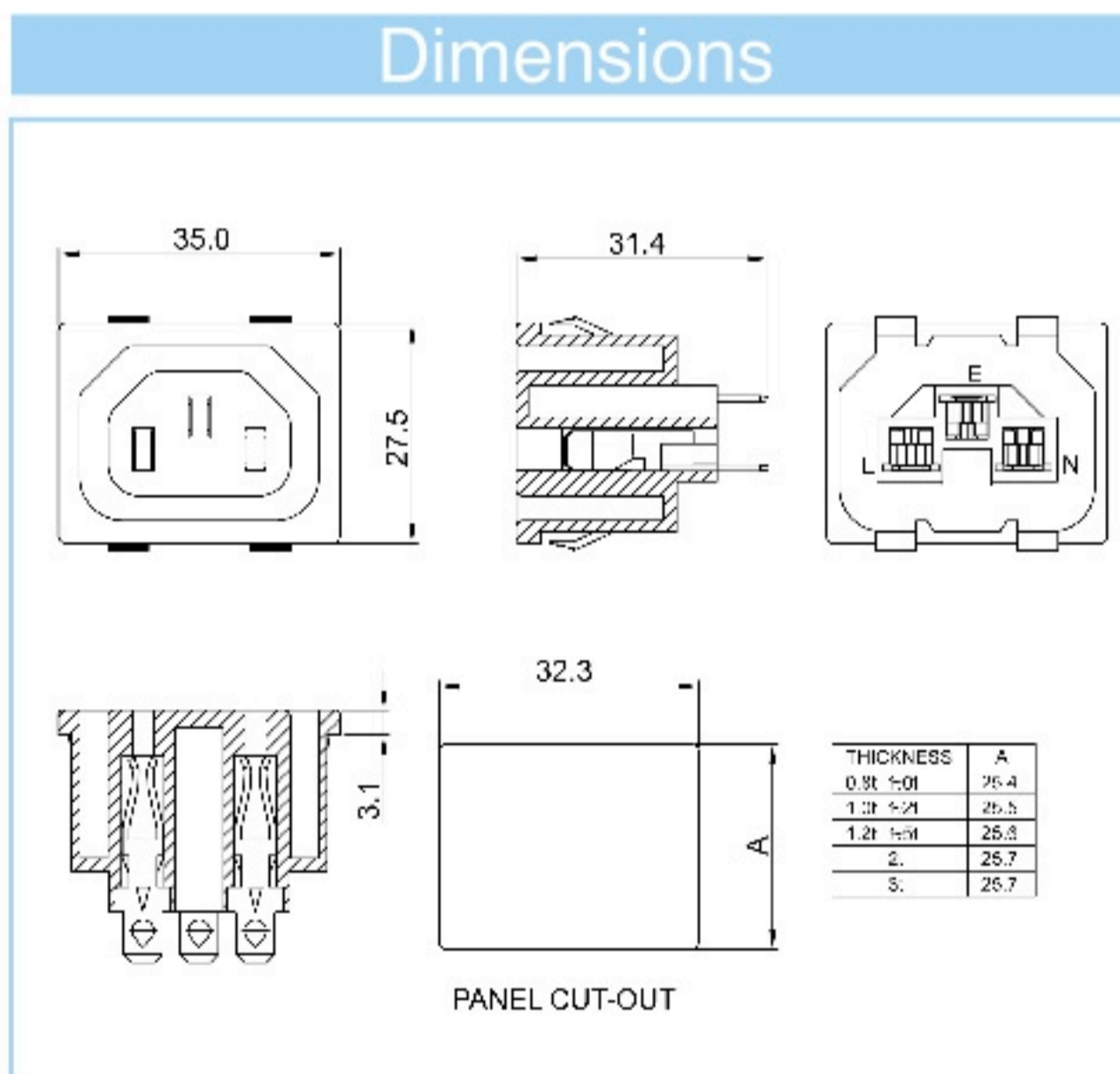
R-305

- ◆ Standard: IEC 60320 C20
- ◆ Rating: 20A 250V AC / 16A 250V AC
- ◆ Insulation Resistance: 100MΩ 500V DC / 1 minute
- ◆ Dielectric Strength: 2000V AC / 1 minute
- ◆ Housing Material: Thermoplastic 94V-2~V-0



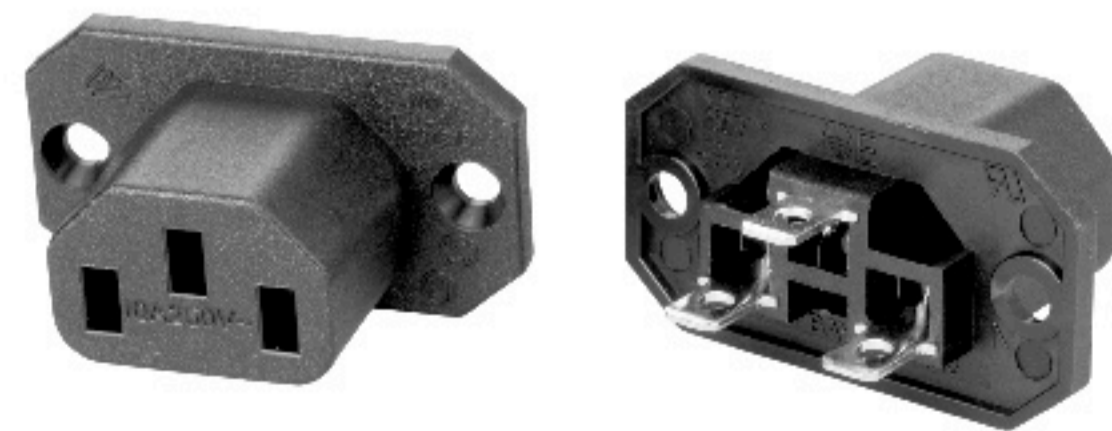
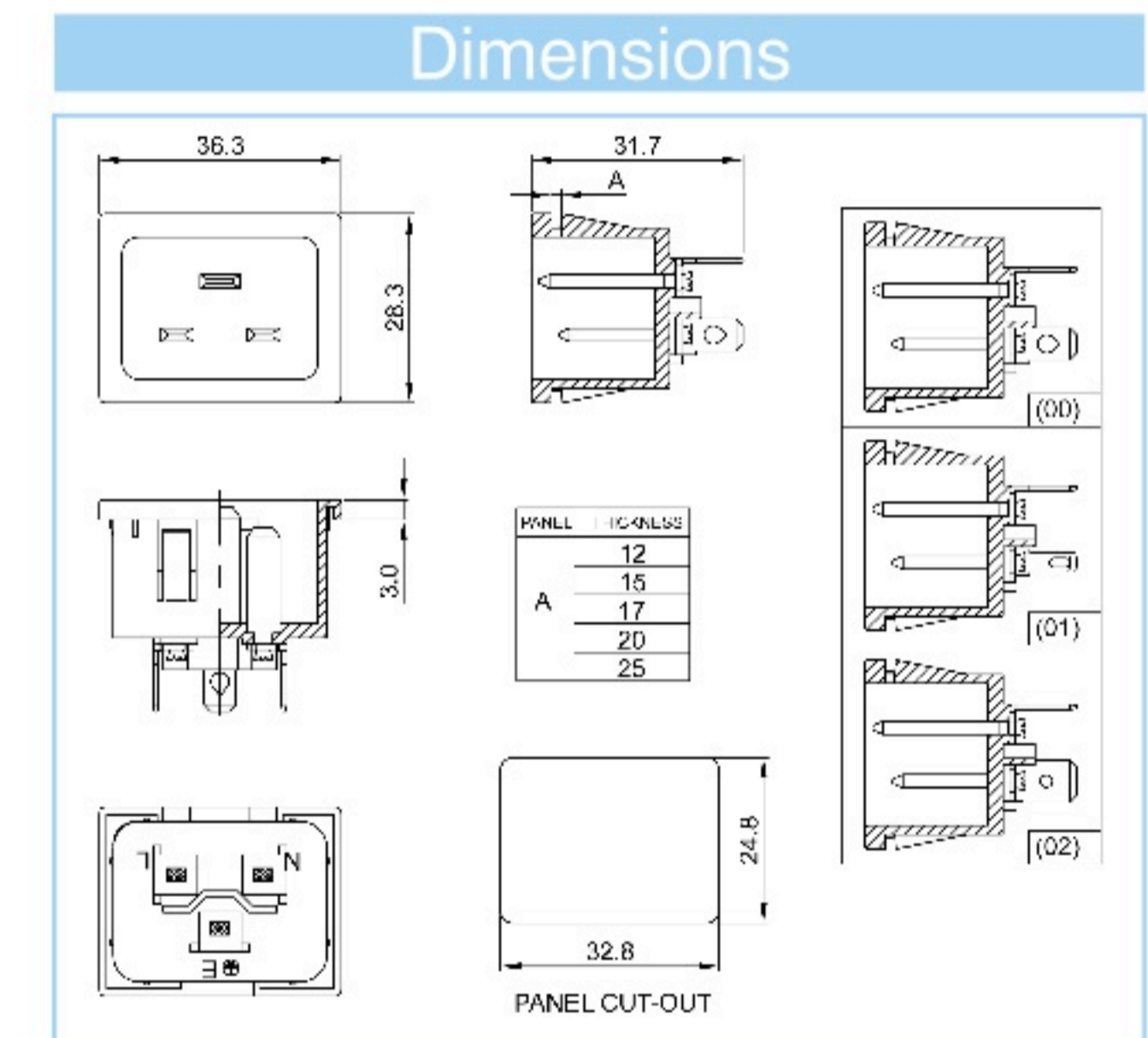
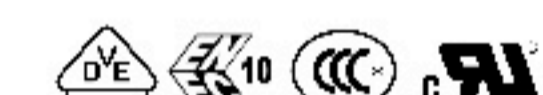
R-302SN

- ◆ Standard: IEC 60320 F
- ◆ Rating: 15A 250V AC / 10A 250V AC
- ◆ Insulation Resistance: 100MΩ 500V DC / 1 minute
- ◆ Dielectric Strength: 2000V AC / 1 minute
- ◆ Housing Material: Thermoplastic 94V-2~V-0



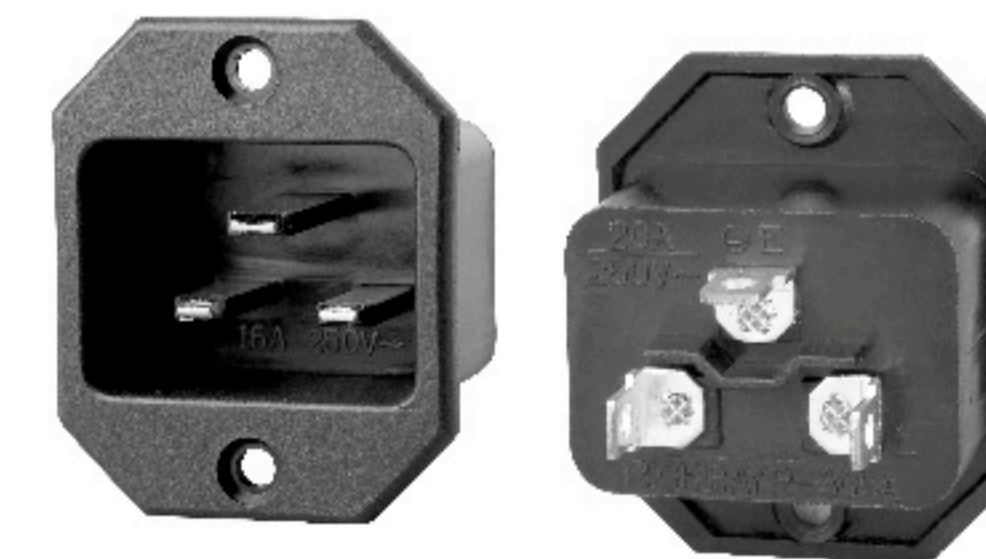
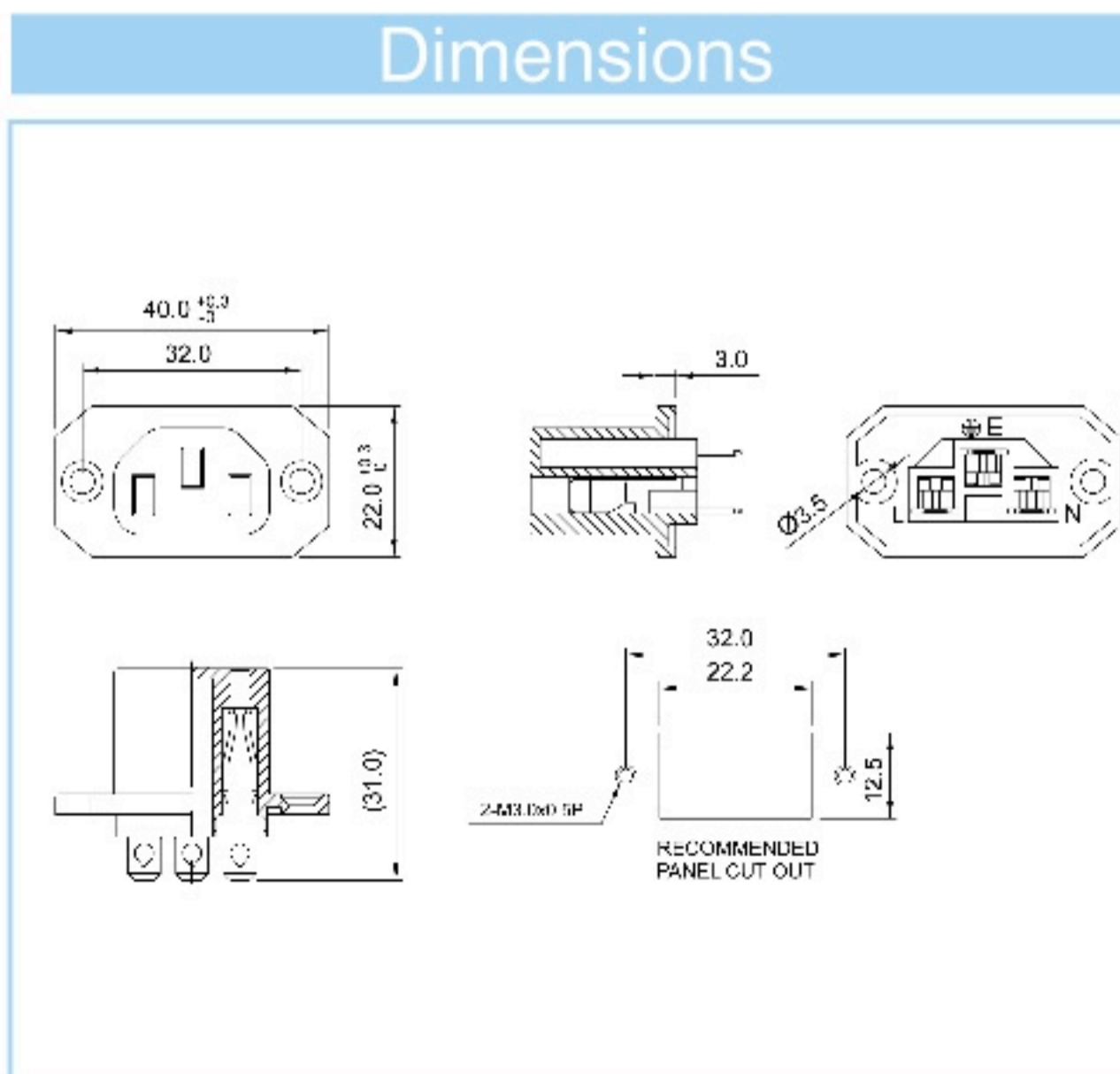
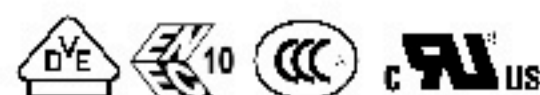
R-305SN1

- ◆ Standard: IEC 60320 C20
- ◆ Rating: 20A 250V AC / 16A 250V AC
- ◆ Insulation Resistance: 100MΩ 500V DC / 1 minute
- ◆ Dielectric Strength: 2000V AC / 1 minute
- ◆ Housing Material: Thermoplastic 94V-2~V-0



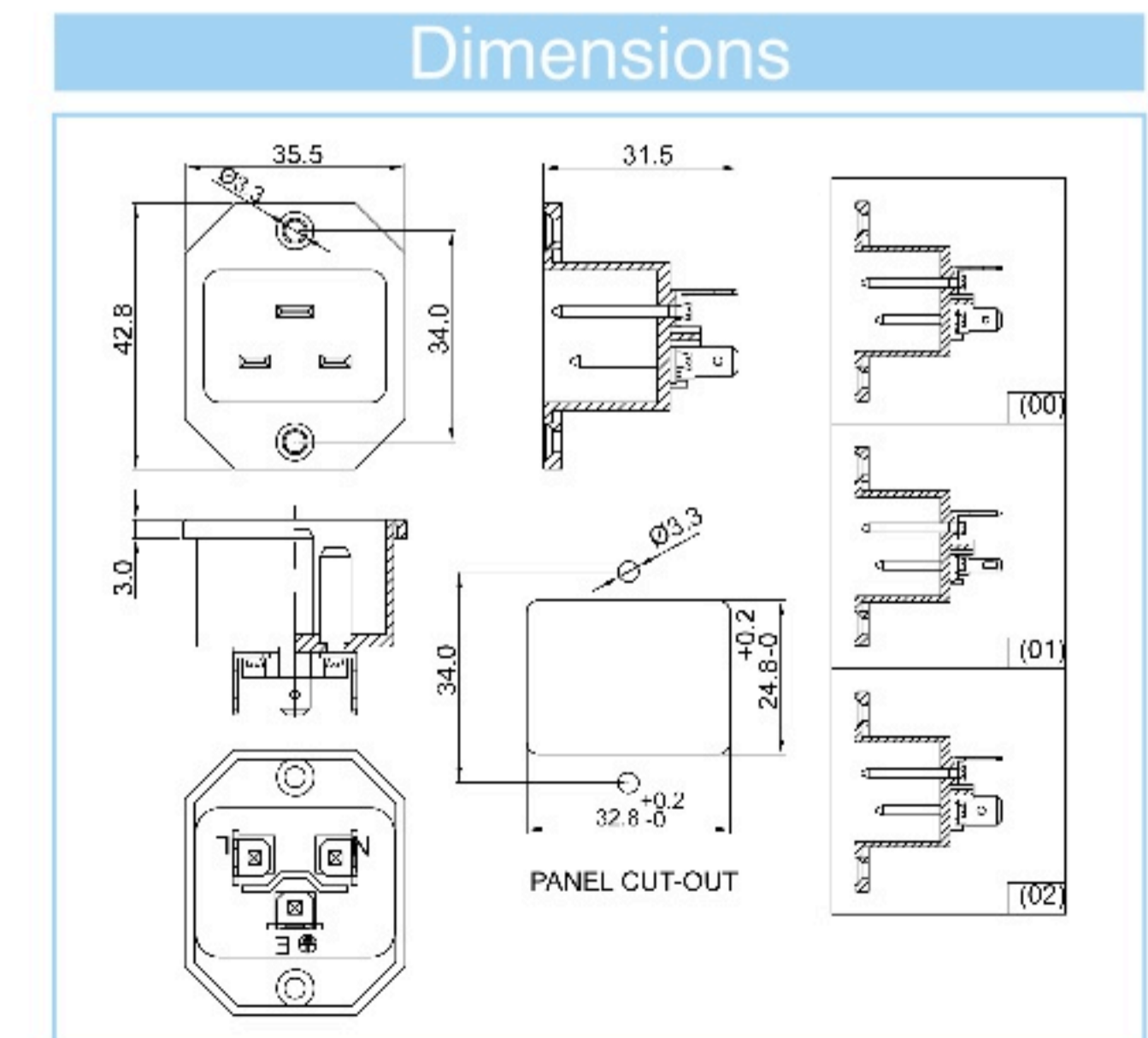
R-302A2

- ◆ Standard: IEC 60320 F
- ◆ Rating: 15A 250V AC / 10A 250V AC
- ◆ Insulation Resistance: 100MΩ 500V DC / 1 minute
- ◆ Dielectric Strength: 2000V AC / 1 minute
- ◆ Housing Material: Thermoplastic 94V-2~V-0

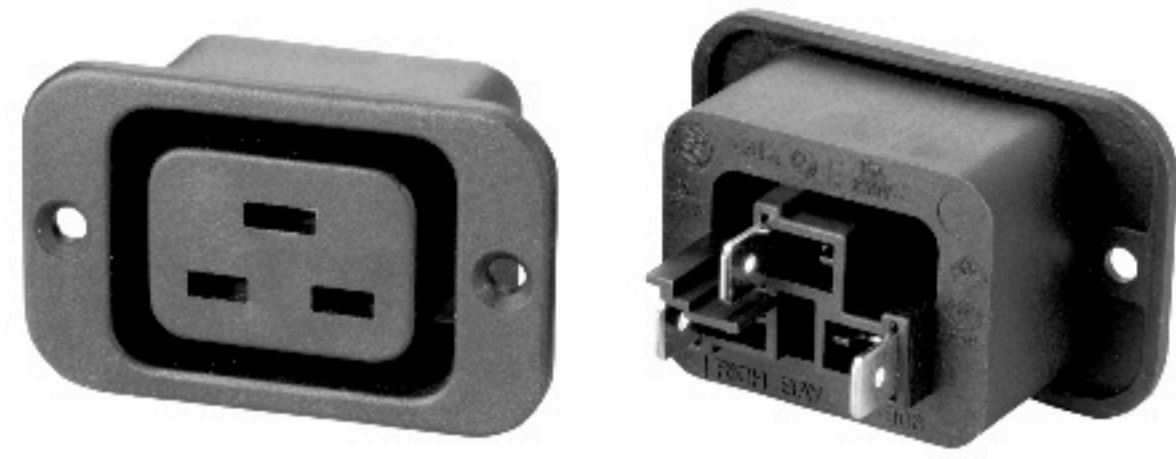


R-305A

- ◆ Standard: IEC 60320 C20
- ◆ Rating: 20A 250V AC / 16A 250V AC
- ◆ Insulation Resistance: 100MΩ 500V DC / 1 minute
- ◆ Dielectric Strength: 2000V AC / 1 minute
- ◆ Housing Material: Thermoplastic 94V-2~V-0

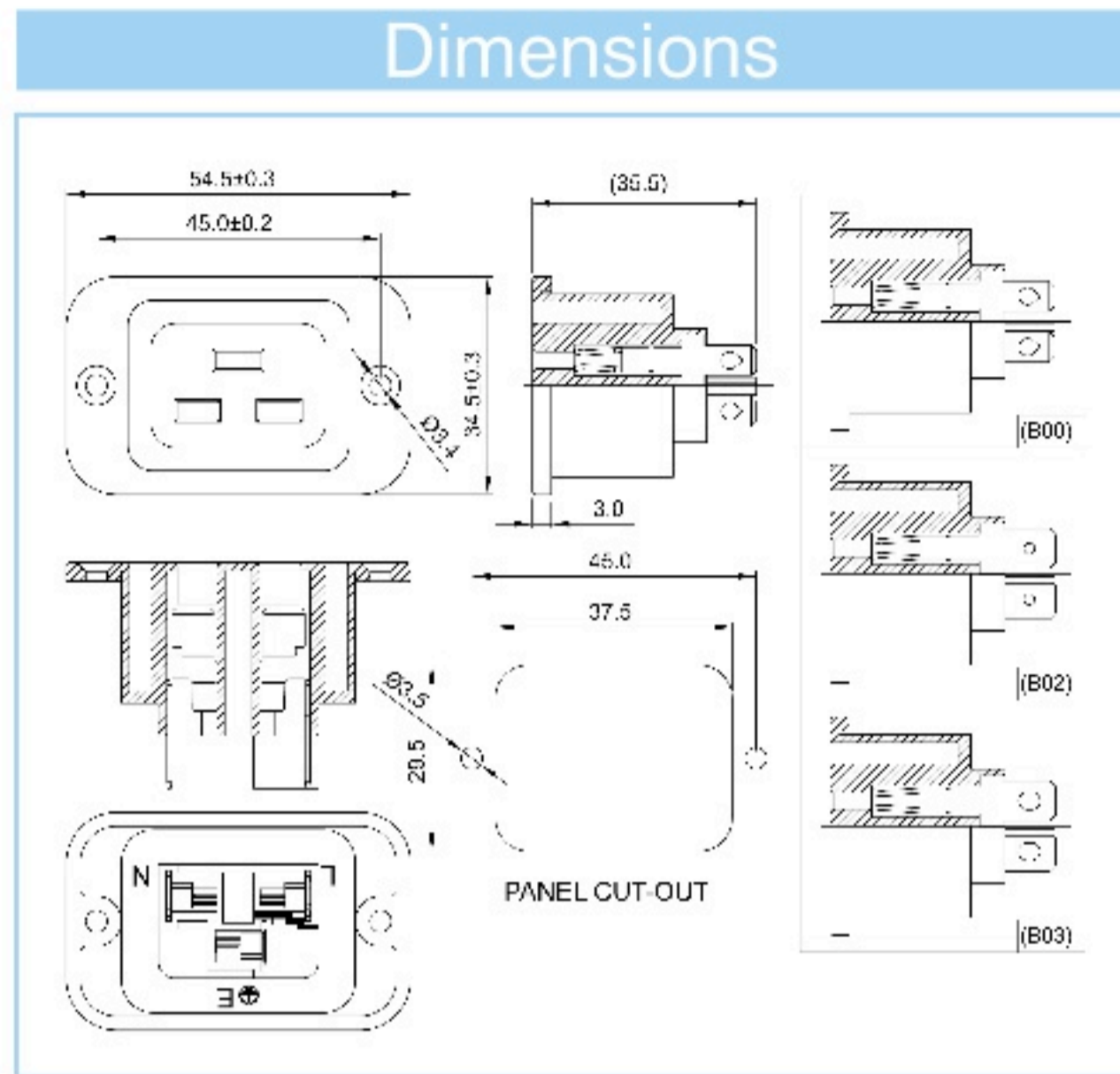


IEC J(C19) Series

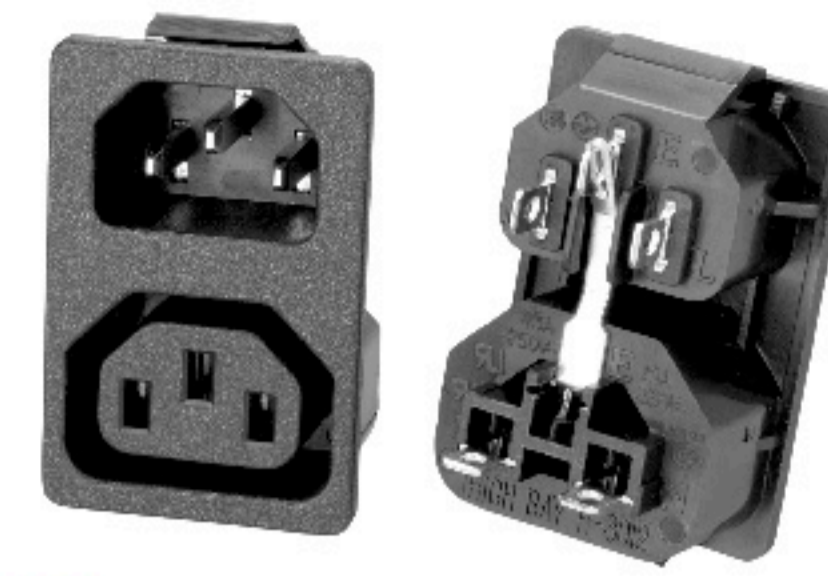


R-306

- ◆ Standard: IEC 60320 J
- ◆ Rating: 20A 250V AC / 16A 250V AC
- ◆ Insulation Resistance: 100MΩ 500V DC / 1 minute
- ◆ Dielectric Strength: 2000V AC / 1 minute
- ◆ Housing Material: Thermoplastic 94V-2~V-0

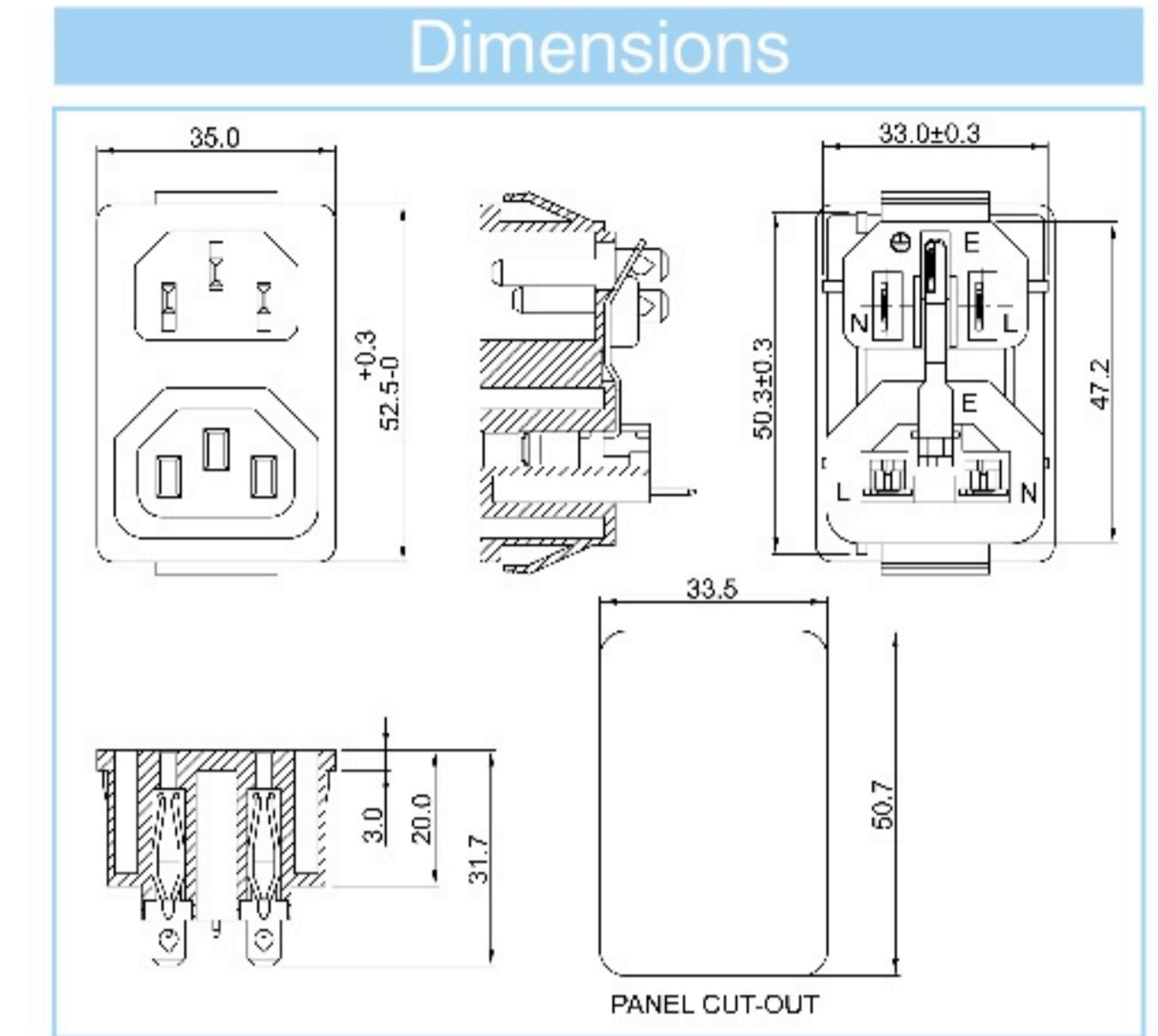


IEC C14 + F(C13)

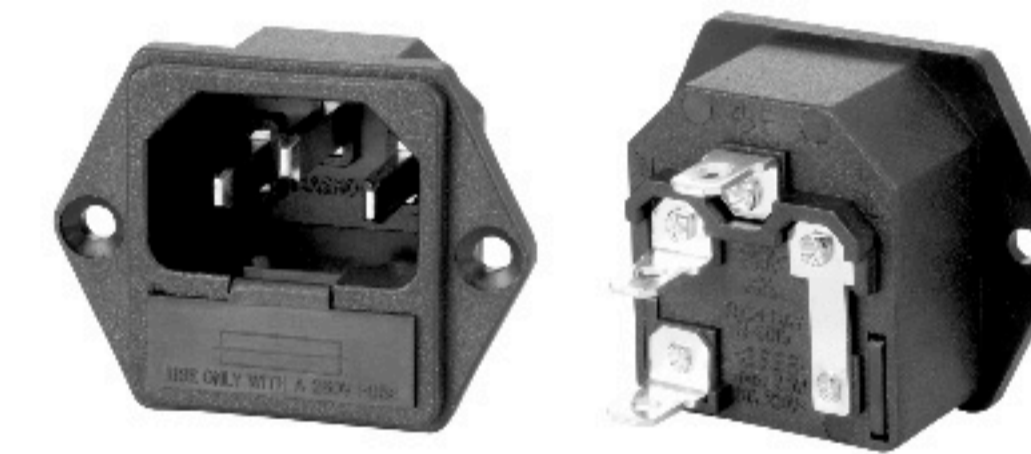


R-3012

- ◆ Standard: IEC 60320 C14 & F
- ◆ Rating: 15A 250V AC / 10A 250V AC
- ◆ Insulation Resistance: 100MΩ 500V DC / 1 minute
- ◆ Dielectric Strength: 2000V AC / 1 minute
- ◆ Housing Material: Thermoplastic 94V-2~V-0

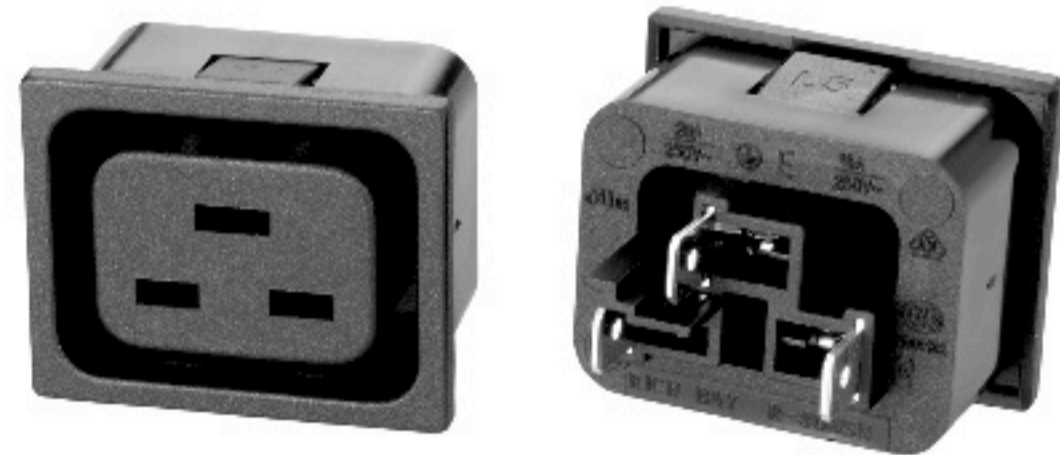
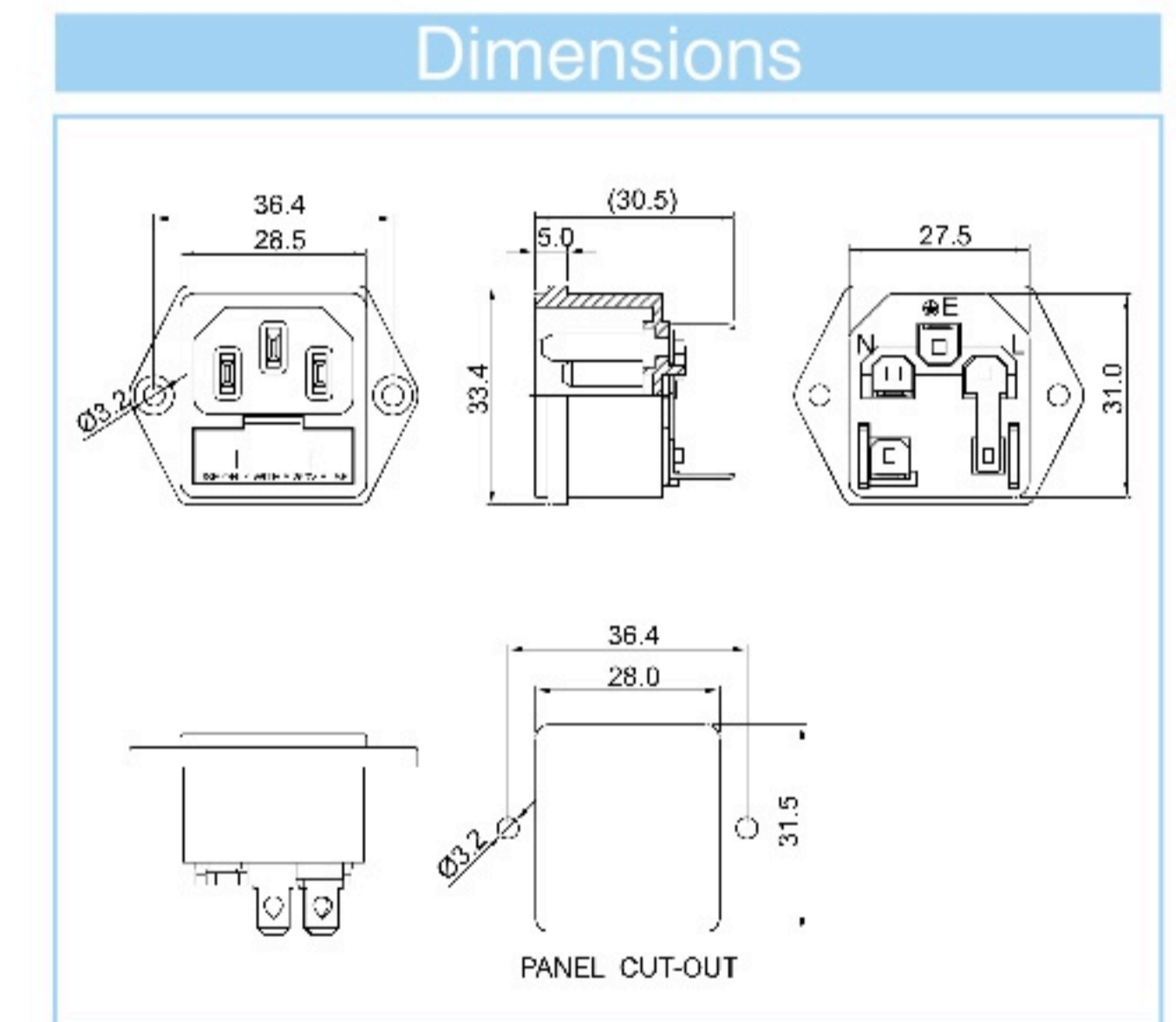


IEC C14 + Fuse Holder



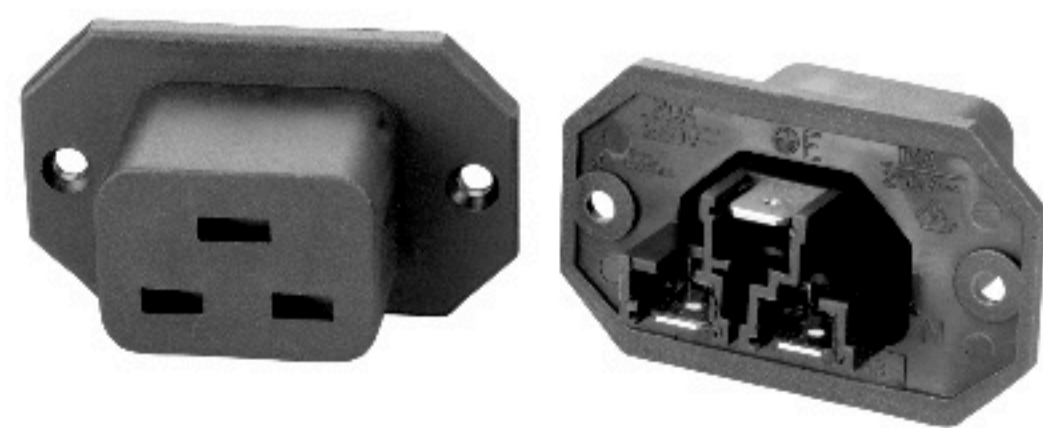
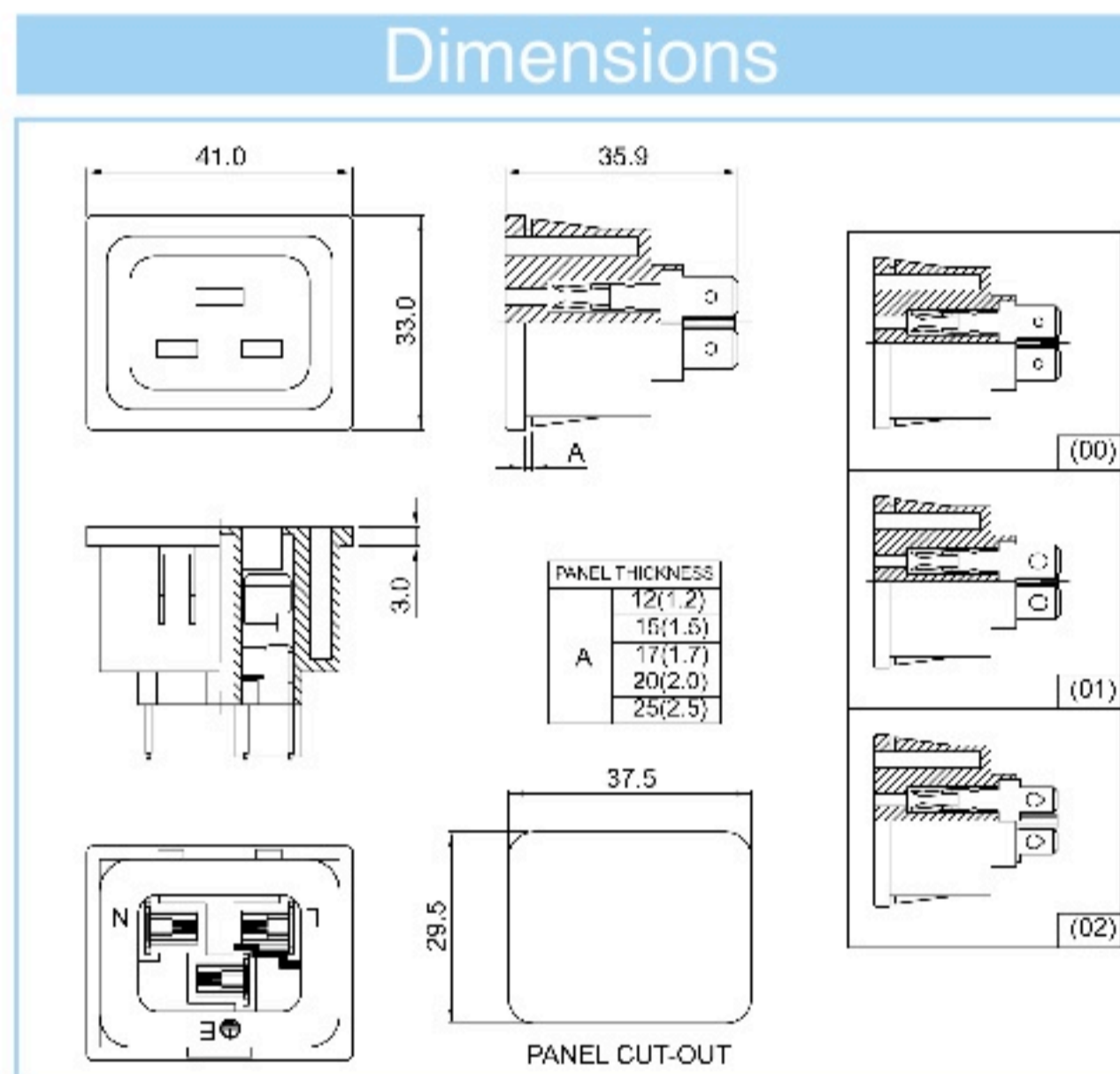
R-3015

- ◆ Standard: IEC 60320 C14
- ◆ Rating: 15A 250V AC / 10A 250V AC
- ◆ Insulation Resistance: 100MΩ 500V DC / 1 minute
- ◆ Dielectric Strength: 2000V AC / 1 minute
- ◆ Housing Material: Thermoplastic 94V-2~V-0



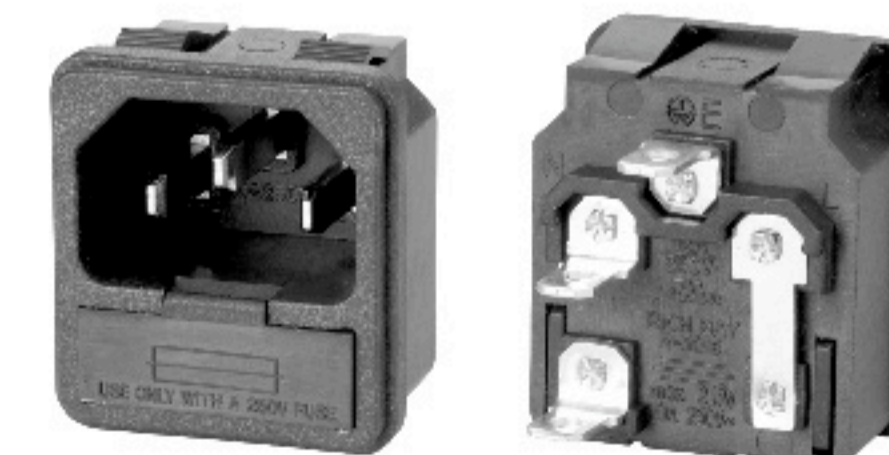
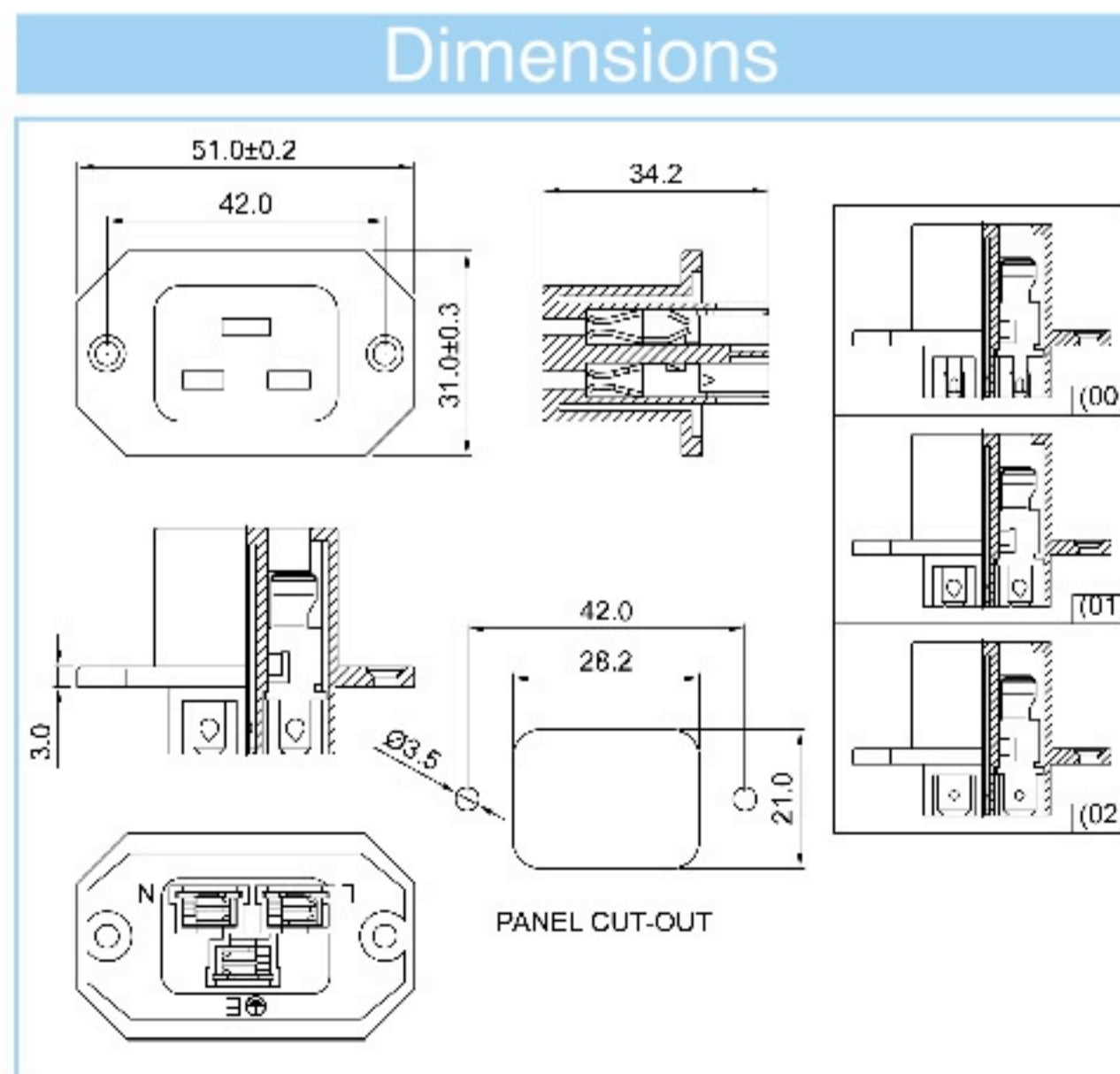
R-306SN

- ◆ Standard: IEC 60320 J
- ◆ Rating: 20A 250V AC / 16A 250V AC
- ◆ Insulation Resistance: 100MΩ 500V DC / 1 minute
- ◆ Dielectric Strength: 2000V AC / 1 minute
- ◆ Housing Material: Thermoplastic 94V-2~V-0



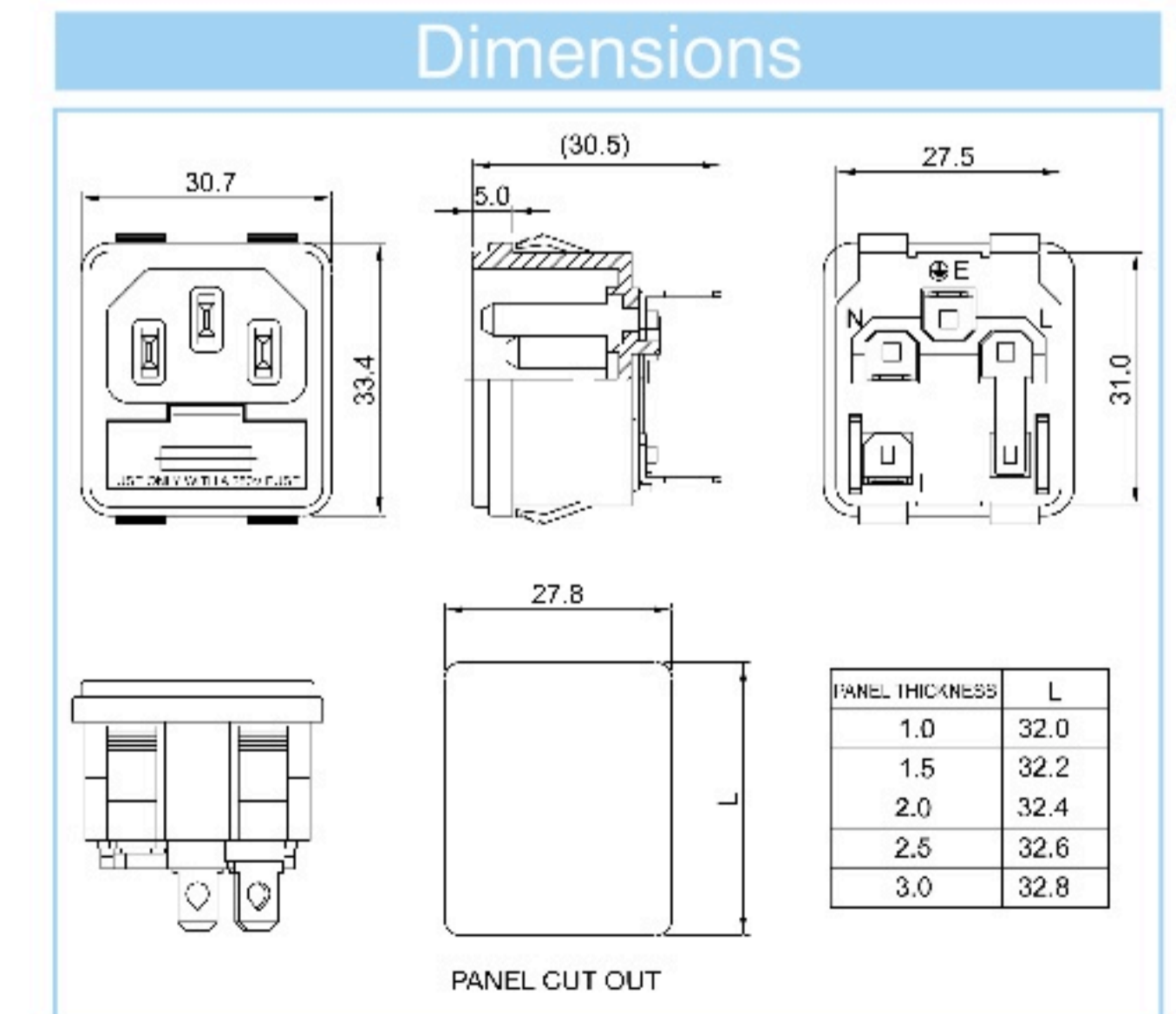
R-306A3

- ◆ Standard: IEC 60320 J
- ◆ Rating: 20A 250V AC / 16A 250V AC
- ◆ Insulation Resistance: 100MΩ 500V DC / 1 minute
- ◆ Dielectric Strength: 2000V AC / 1 minute
- ◆ Housing Material: Thermoplastic 94V-2~V-0



R-3016

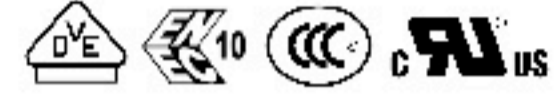
- ◆ Standard: IEC 60320 C14
- ◆ Rating: 15A 250V AC / 10A 250V AC
- ◆ Insulation Resistance: 100MΩ 500V DC / 1 minute
- ◆ Dielectric Strength: 2000V AC / 1 minute
- ◆ Housing Material: Thermoplastic 94V-2~V-0



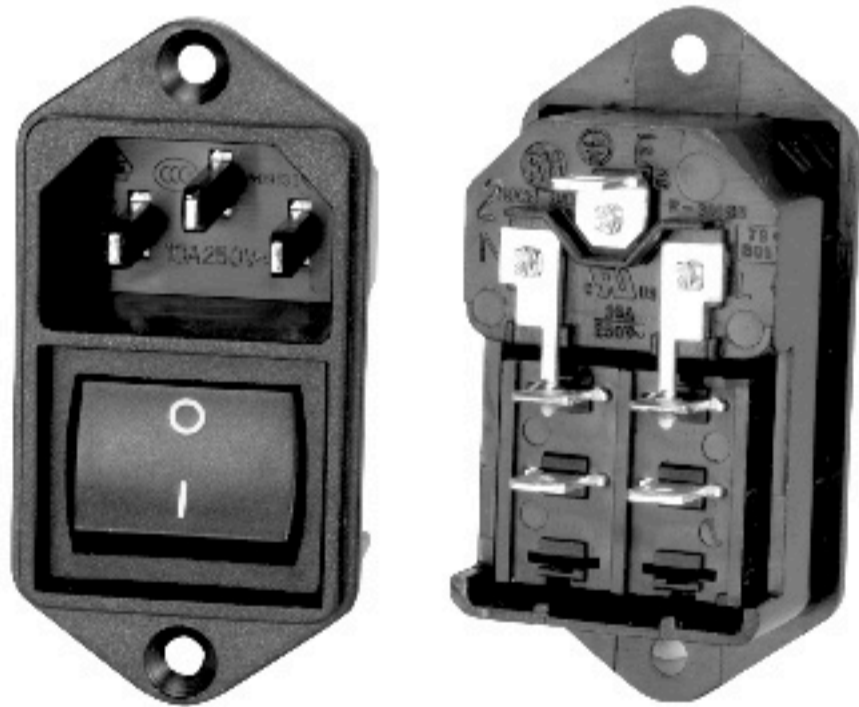
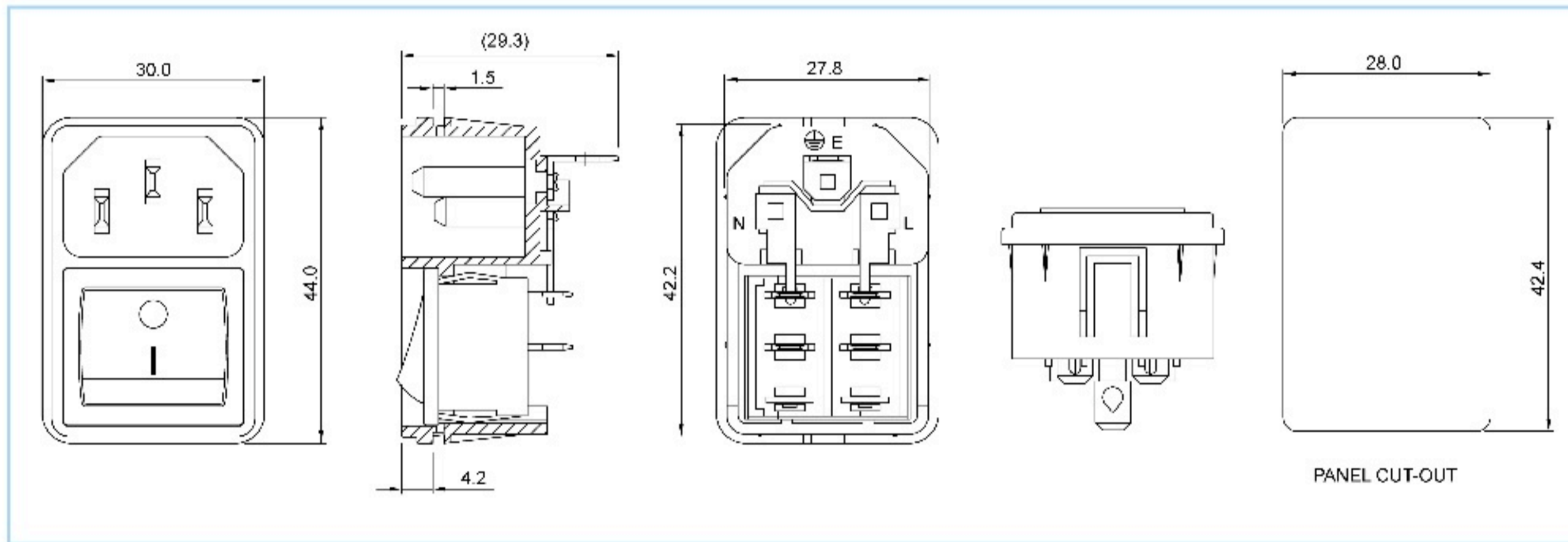
IEC C14 + Switch

R-301SN-B07

- ◆ Standard: IEC 60320 C14
- ◆ Rating: 15A 250V AC / 10A 250V AC
- ◆ Insulation Resistance: 100MΩ 500V DC / 1 minute
- ◆ Dielectric Strength: 2000V AC / 1 minute
- ◆ Housing Material: Thermoplastic 94V-2~V-0



Dimensions

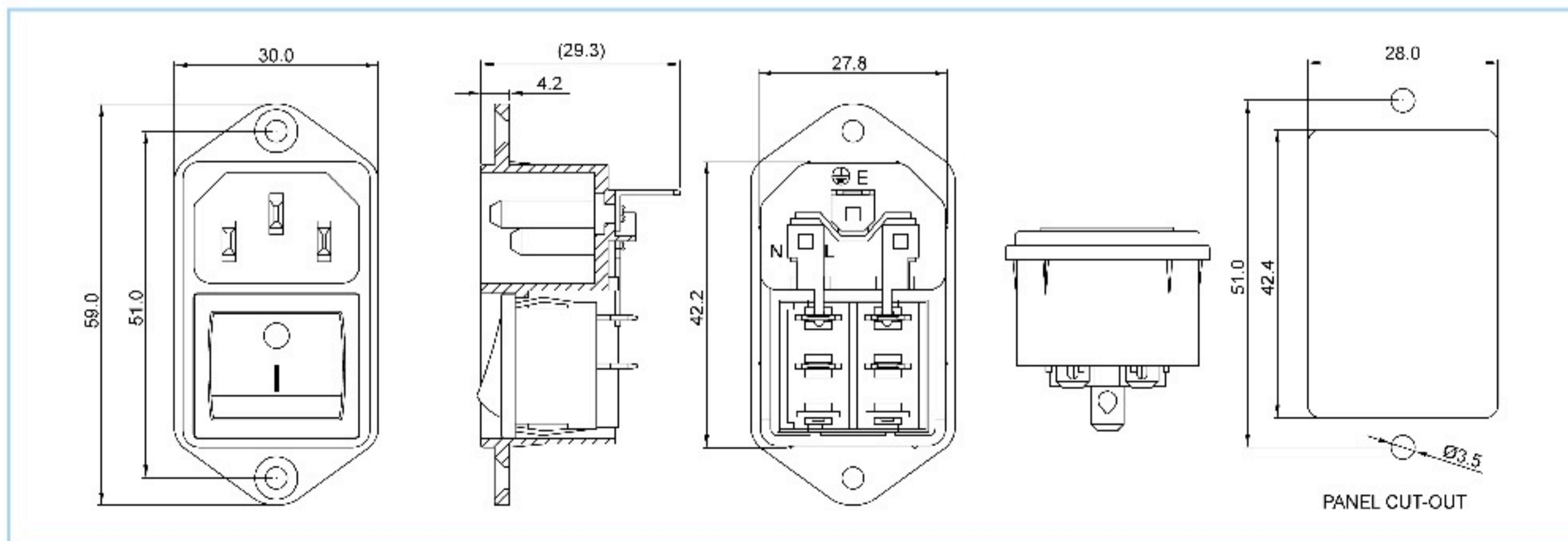


R-301SN-B09

- ◆ Standard: IEC 60320 C14
- ◆ Rating: 15A 250V AC / 10A 250V AC
- ◆ Insulation Resistance: 100MΩ 500V DC / 1 minute
- ◆ Dielectric Strength: 2000V AC / 1 minute
- ◆ Housing Material: Thermoplastic 94V-2~V-0



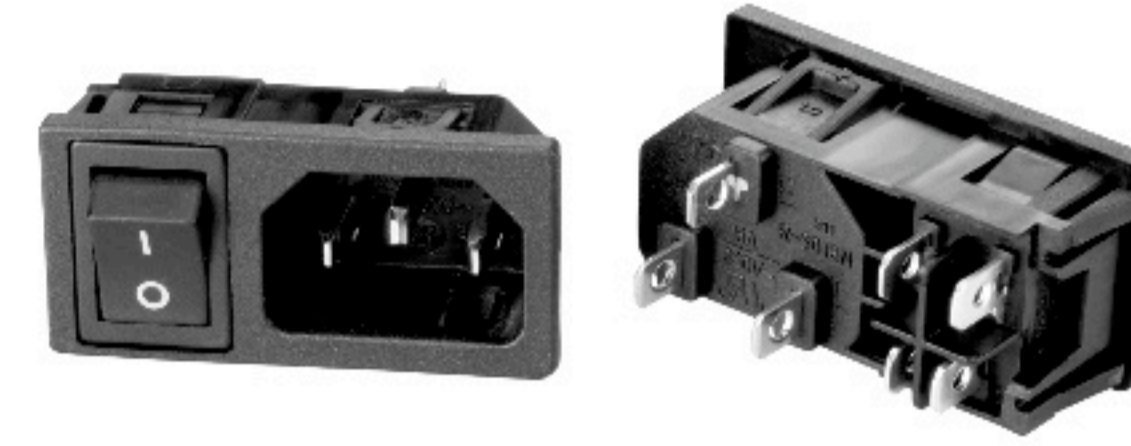
Dimensions



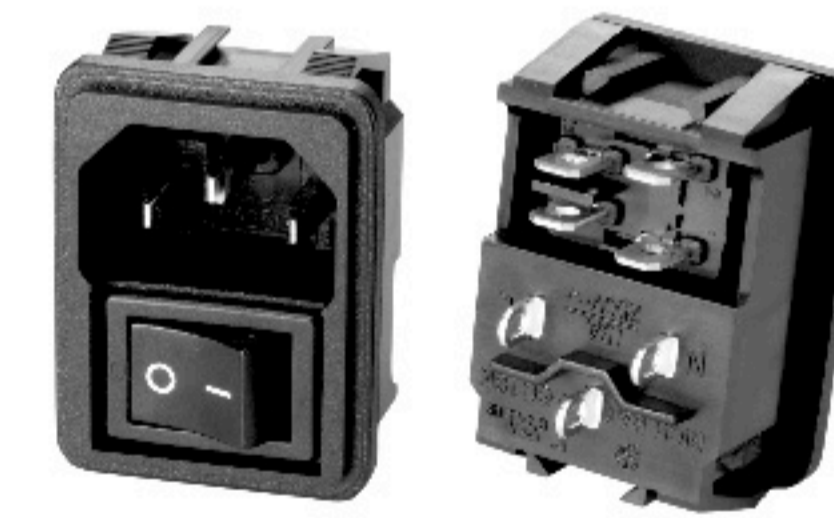
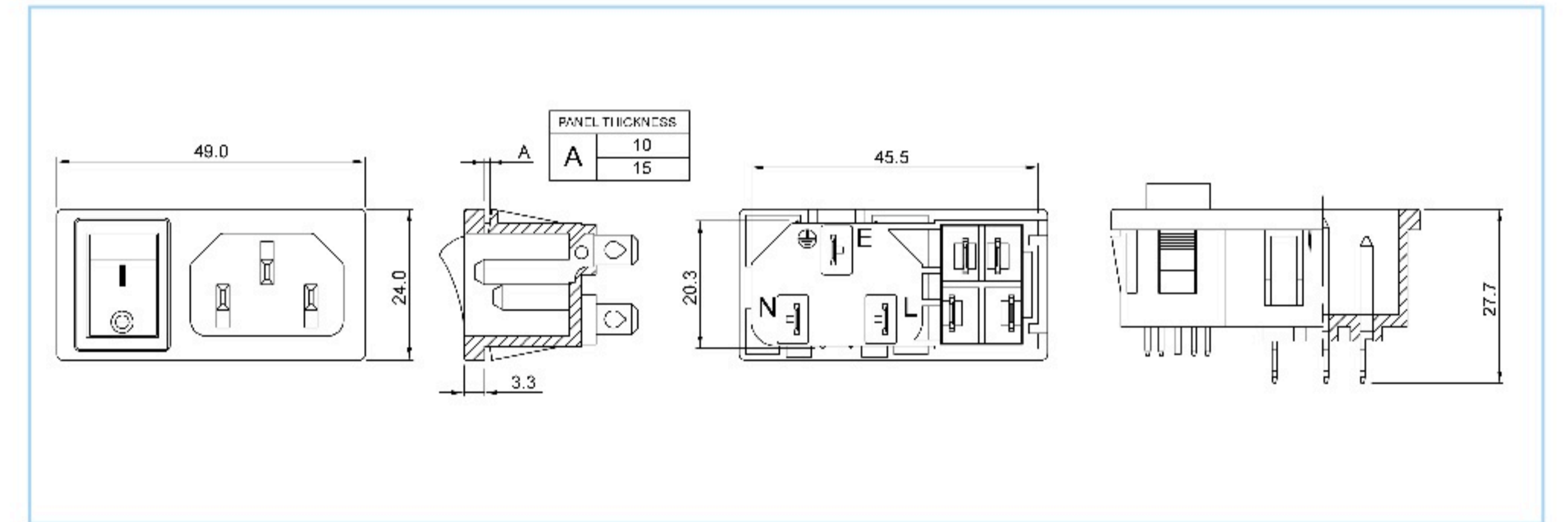
IEC C14 + Switch

R-301SN-B12

- ◆ Standard: IEC 60320 C14
- ◆ Rating: 15A 250V AC / 10A 250V AC
- ◆ Insulation Resistance: 100MΩ 500V DC / 1 minute
- ◆ Dielectric Strength: 2000V AC / 1 minute
- ◆ Housing Material: Thermoplastic 94V-2~V-0

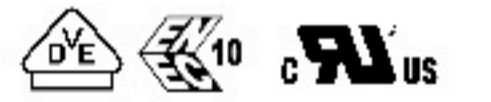


Dimensions

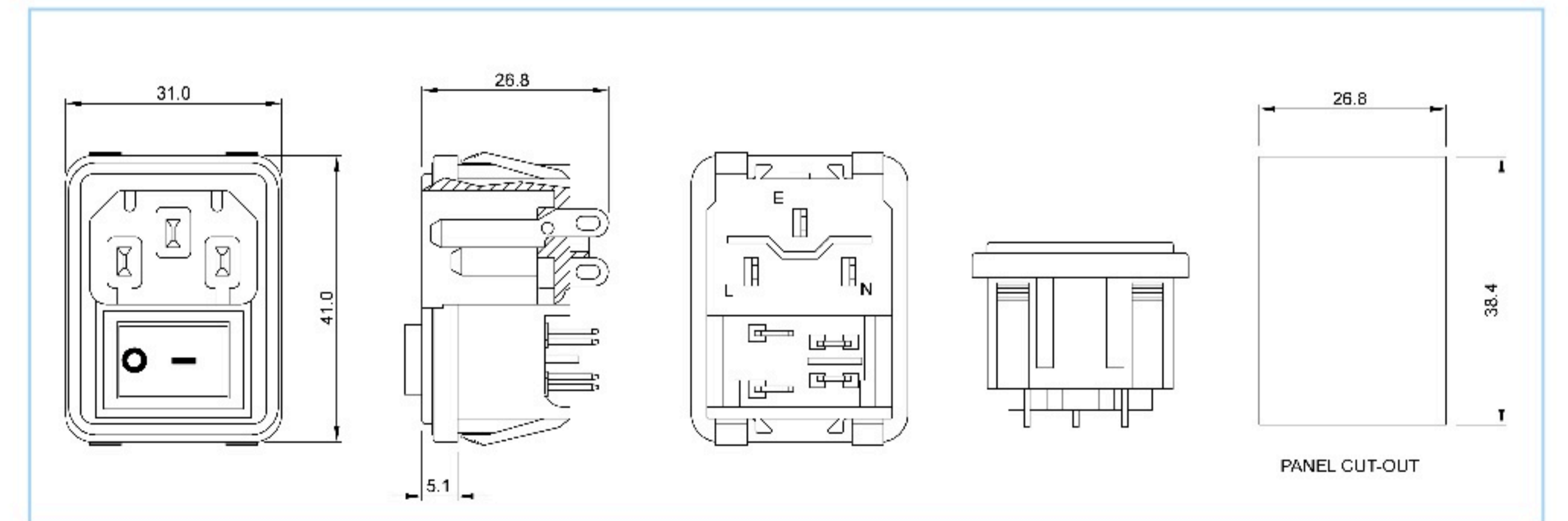


R-301SN-61

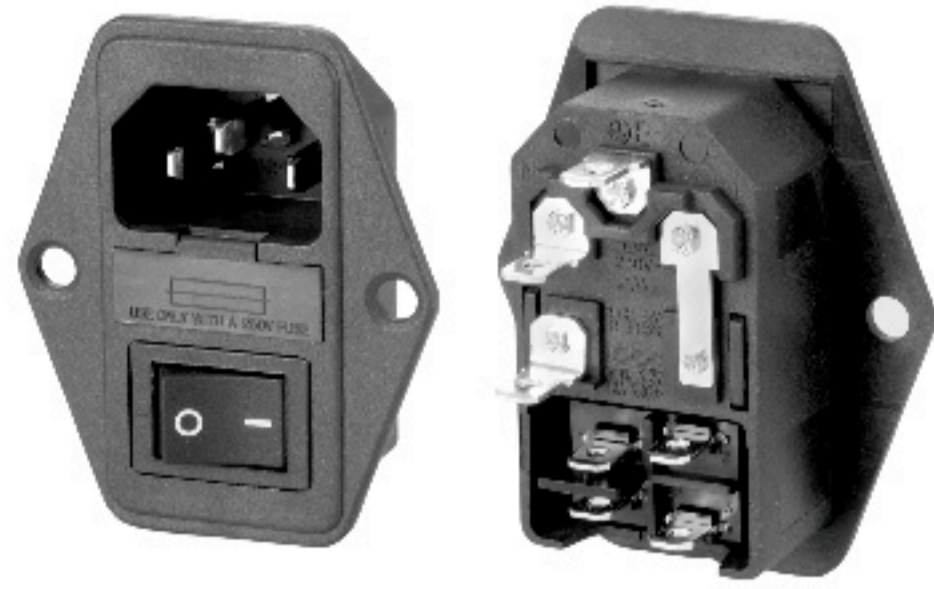
- ◆ Standard: IEC 60320 C14
- ◆ Rating: 15A 250V AC / 10A 250V AC
- ◆ Insulation Resistance: 100MΩ 500V DC / 1 minute
- ◆ Dielectric Strength: 2000V AC / 1 minute
- ◆ Housing Material: Thermoplastic 94V-2~V-0



Dimensions

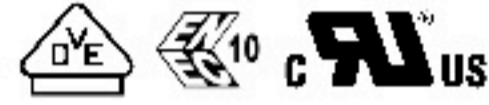


IEC C14 + Switch + Fuse Holder

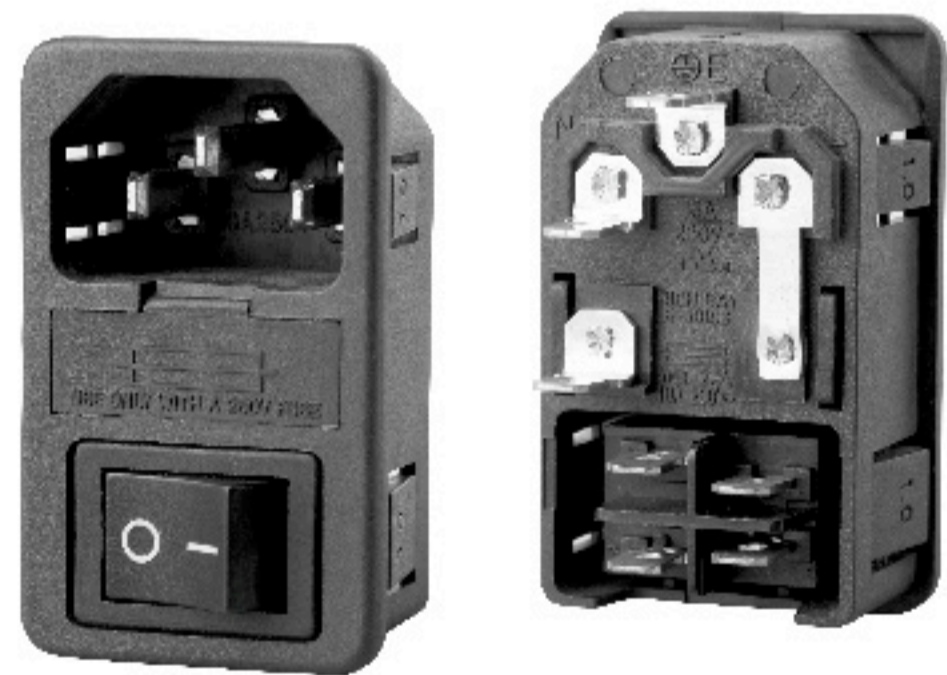
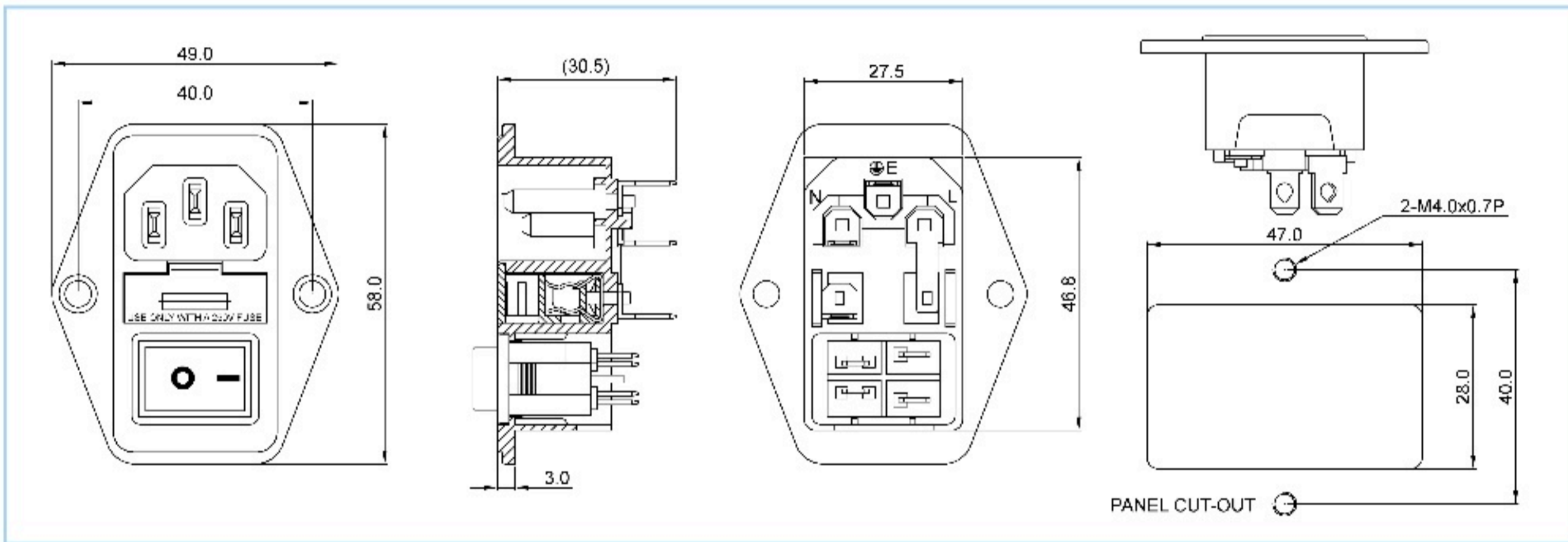


R-3013S

- ◆ Standard: IEC 60320 C14
- ◆ Rating: 15A 250V AC / 10A 250V AC
- ◆ Insulation Resistance: 100MΩ 500V DC / 1 minute
- ◆ Dielectric Strength: 2000V AC / 1 minute
- ◆ Housing Material: Thermoplastic 94V-2~V-0

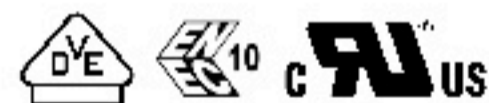


Dimensions

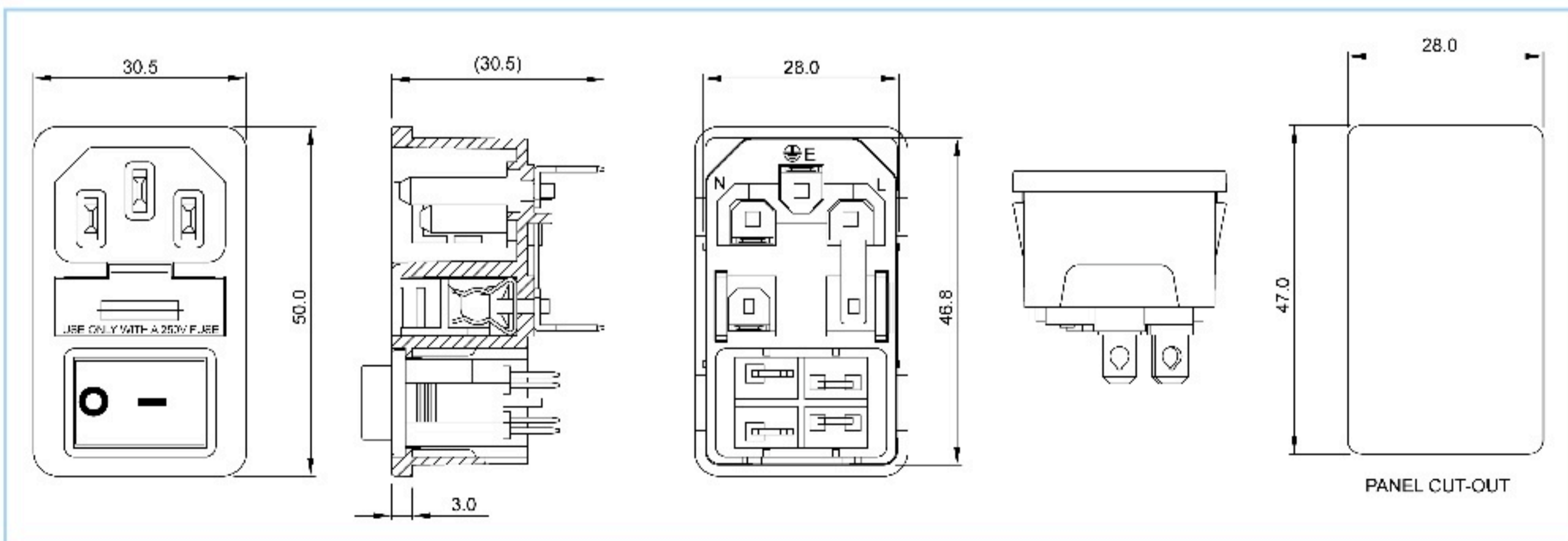


R-3014S

- ◆ Standard: IEC 60320 C14
- ◆ Rating: 15A 250V AC / 10A 250V AC
- ◆ Insulation Resistance: 100MΩ 500V DC / 1 minute
- ◆ Dielectric Strength: 2000V AC / 1 minute
- ◆ Housing Material: Thermoplastic 94V-2~V-0



Dimensions



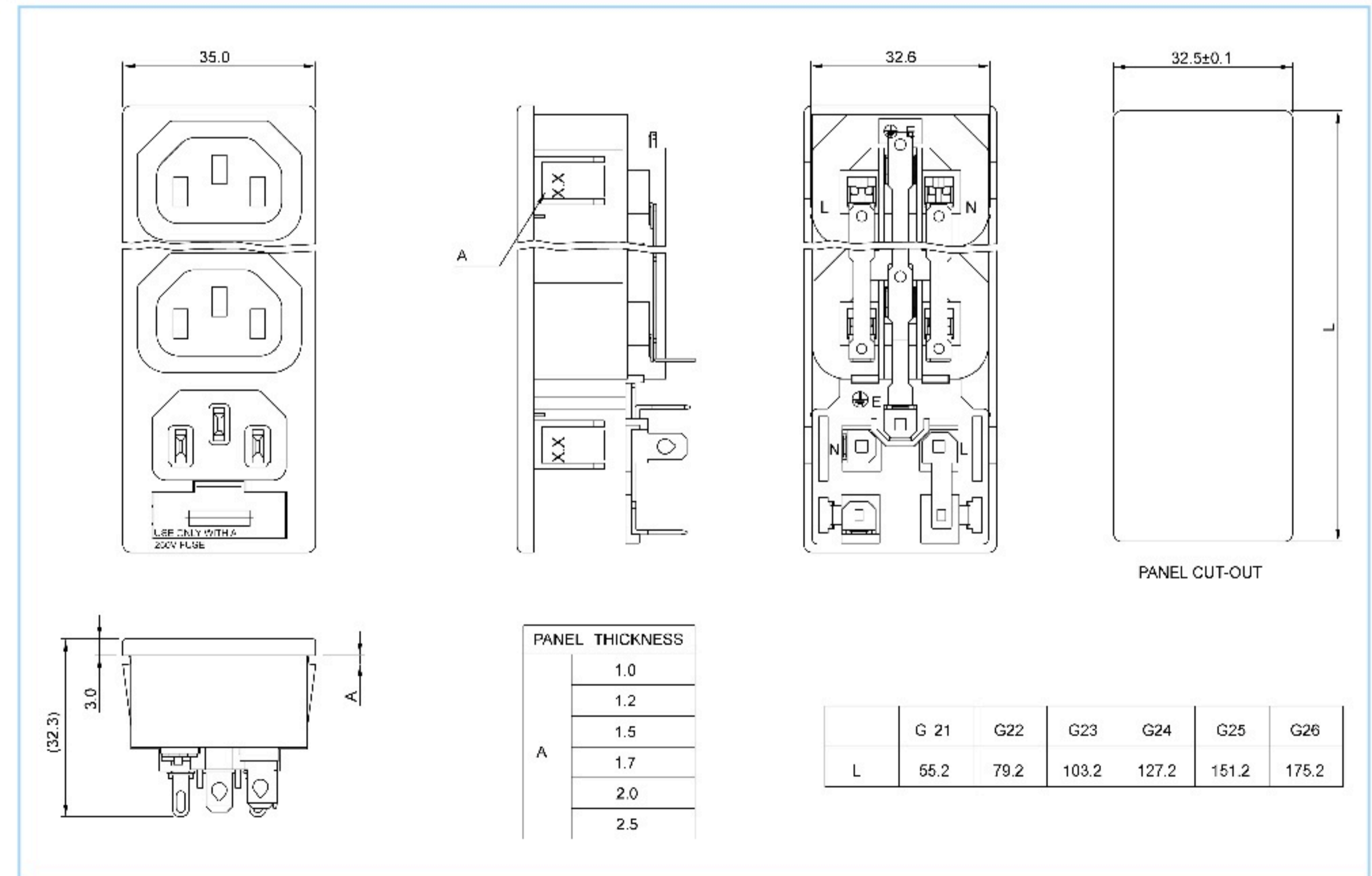
IEC C14 + F(C13) + Fuse Holder

- R-3014G21**
- R-3014G22**
- R-3014G23**
- R-3014G24**
- R-3014G25**
- R-3014G26**

- ◆ Standard: IEC 60320 C14 & F
- ◆ Rating: 15A 250V AC / 10A 250V AC
- ◆ Insulation Resistance: 100MΩ 500V DC / 1 minute
- ◆ Dielectric Strength: 2000V AC / 1 minute
- ◆ Housing Material: Thermoplastic 94V-2~V-0



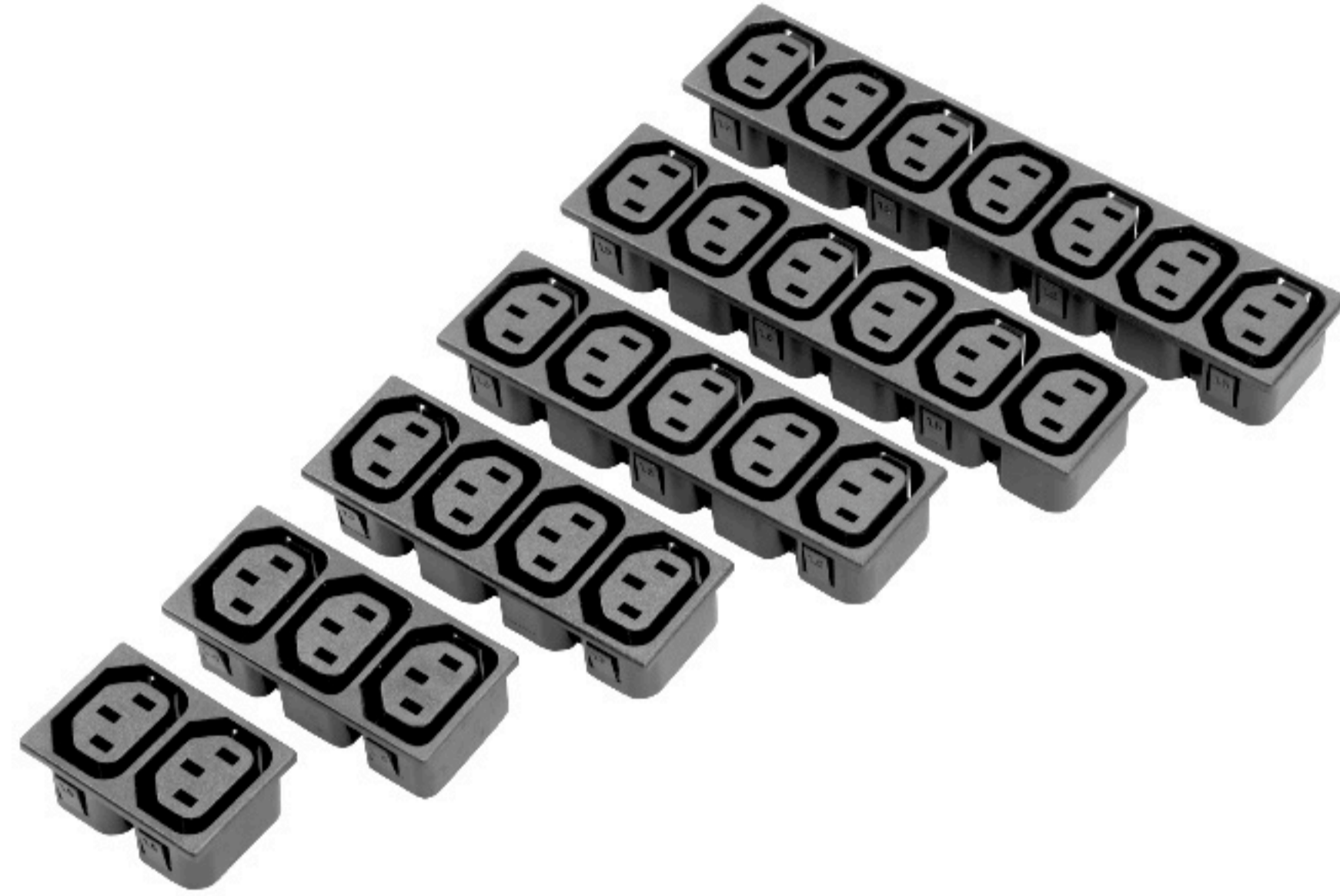
Dimensions



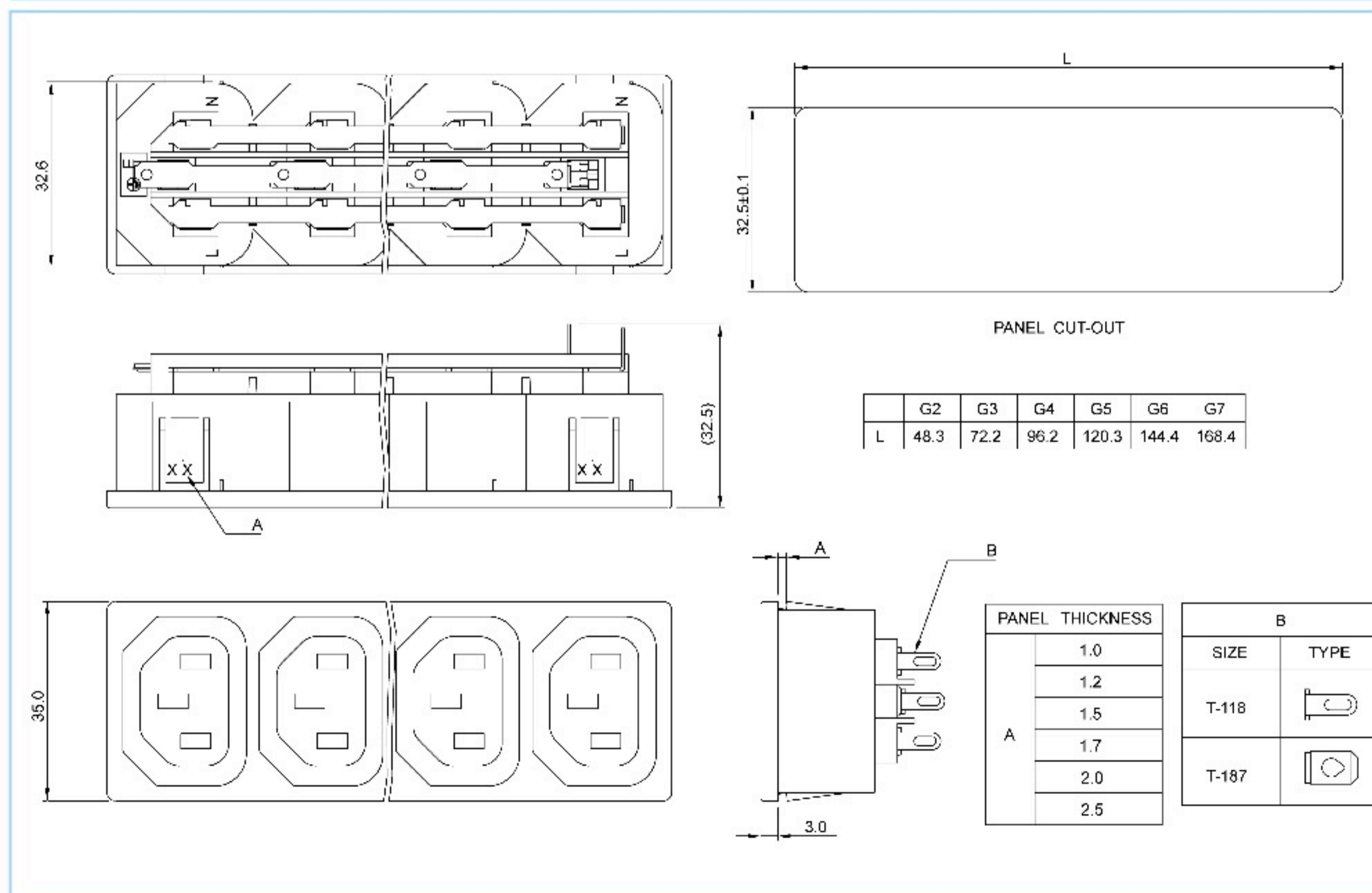
IEC F(C13) Combination

R-302G2
R-302G3
R-302G4
R-302G5
R-302G6
R-302G7

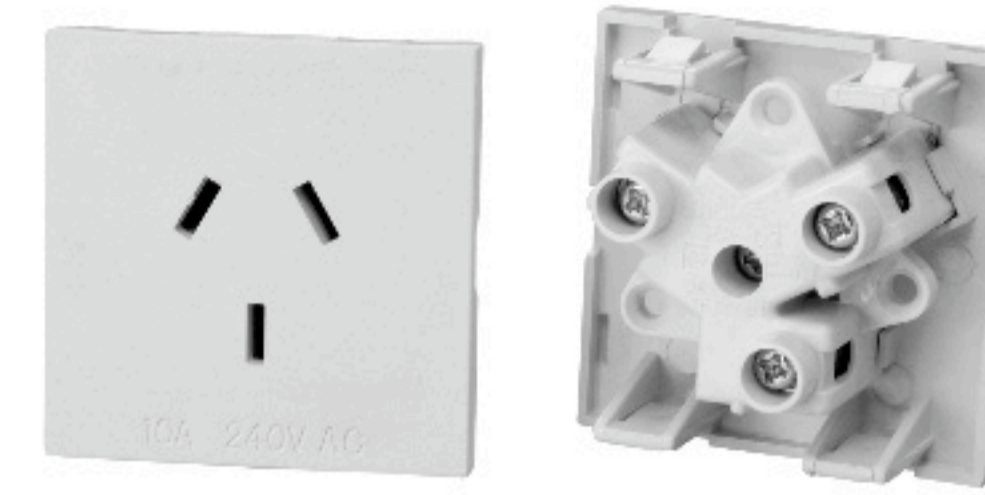
- ◆ Standard: IEC 60320 F
- ◆ Rating: 15A 250V AC / 10A 250V AC
- ◆ Insulation Resistance: 100MΩ 500V DC / 1 minute
- ◆ Dielectric Strength: 2000V AC / 1 minute
- ◆ Housing Material: Thermoplastic 94V-2~V-0



Dimensions



Oceania Socket-Outlet

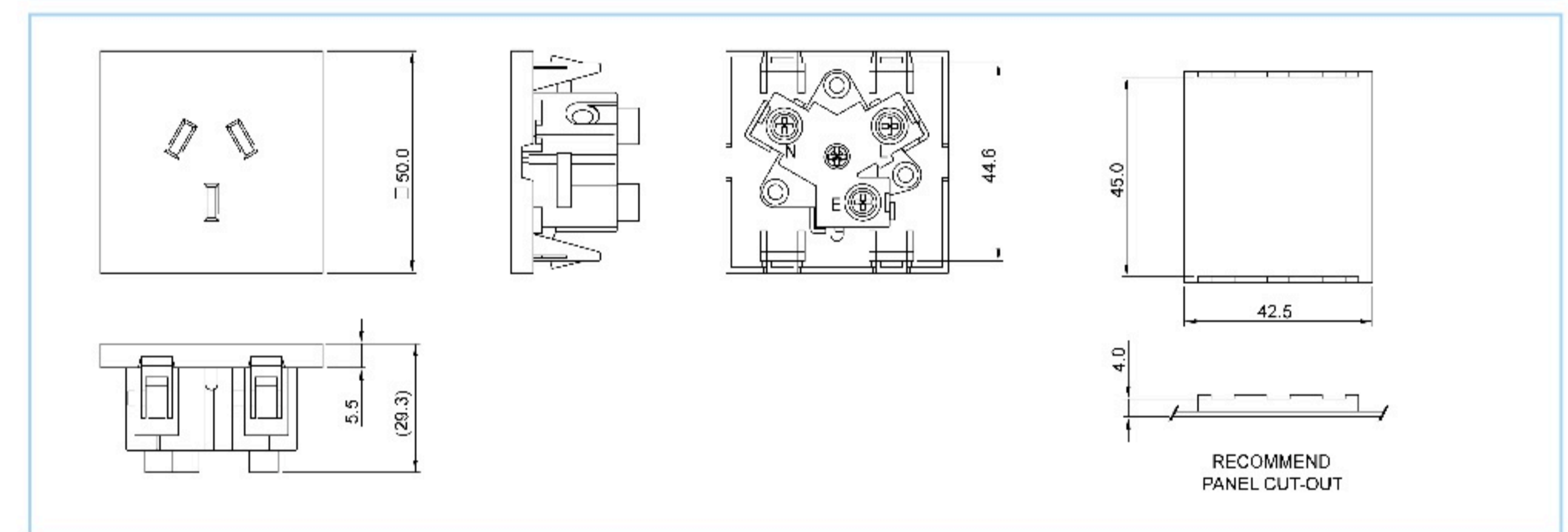


RA-02

- ◆ Standard: AS/NZS 3112
- ◆ Rating: 10A 250V AC
- ◆ Insulation Resistance: 100MΩ 500V DC / 1 minute
- ◆ Dielectric Strength: 2000V AC / 1 minute
- ◆ Housing Material: Thermoplastic 94V-2~V-0

NSW 22093

Dimensions

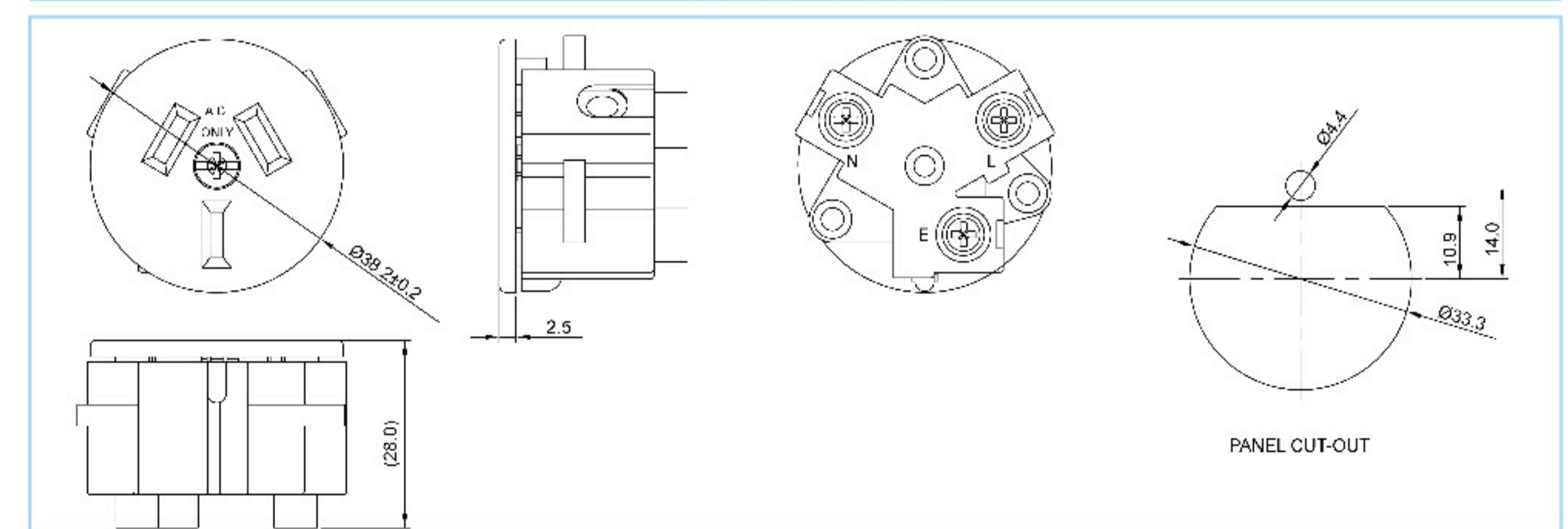


RA-02-01

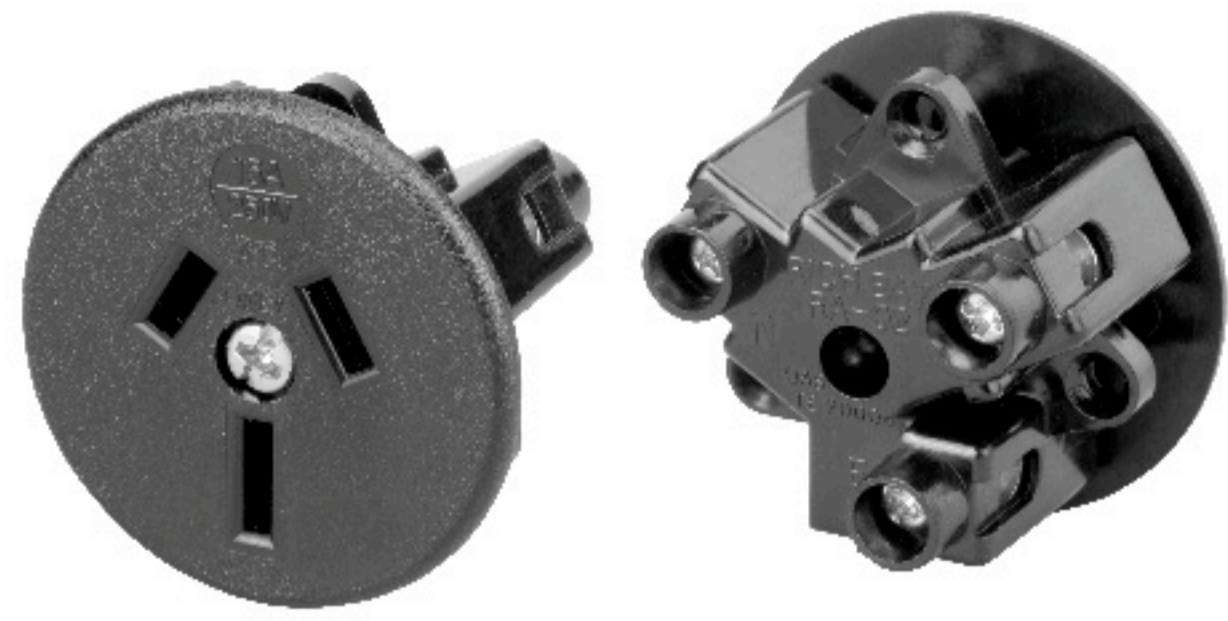
- ◆ Standard: AS/NZS 3112
- ◆ Rating: 10A 250V AC
- ◆ Insulation Resistance: 100MΩ 500V DC / 1 minute
- ◆ Dielectric Strength: 2000V AC / 1 minute
- ◆ Housing Material: Thermoplastic 94V-2~V-0

NSW 22093

Dimensions



Oceania Socket-Outlet

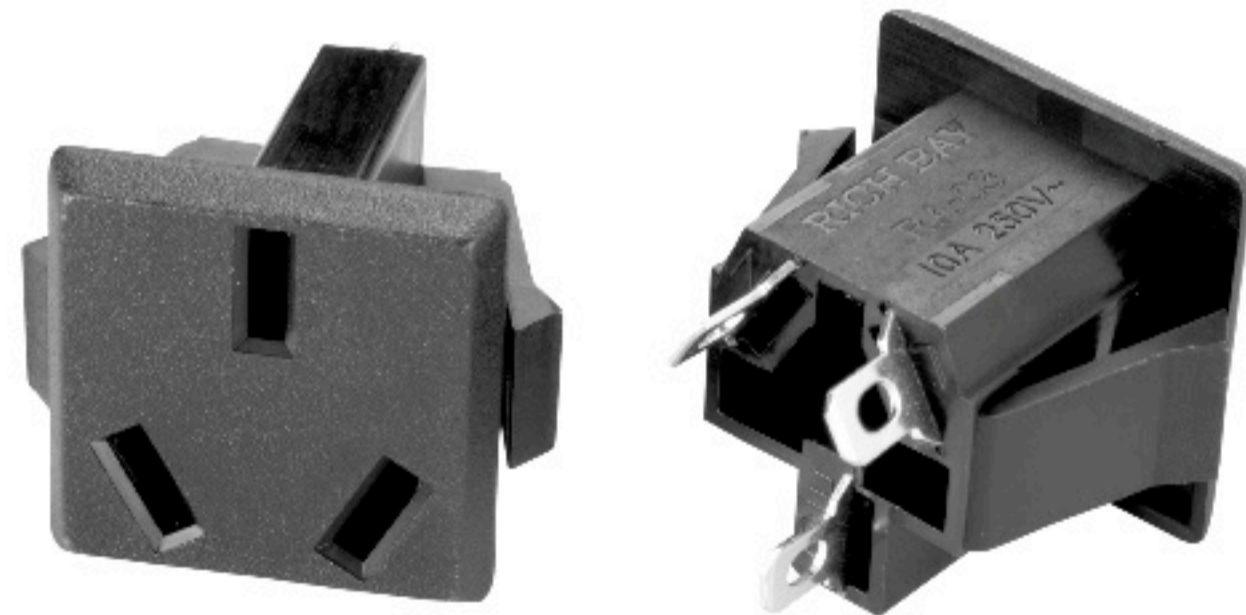
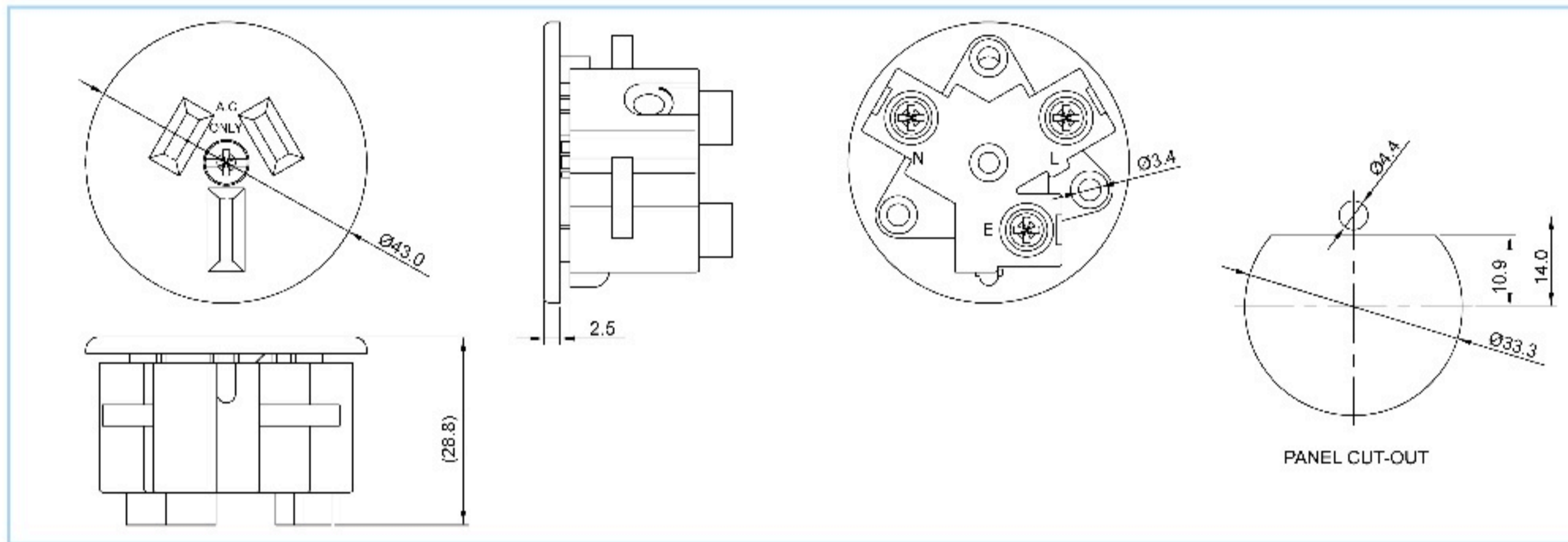


RA-02-06

- ◆ Standard: AS/NZS 3112
- ◆ Rating: 15A 250V AC
- ◆ Insulation Resistance: 100MΩ 500V DC / 1 minute
- ◆ Dielectric Strength: 2000V AC / 1 minute
- ◆ Housing Material: Thermoplastic 94V-2~V-0

NSW 22093

Dimensions

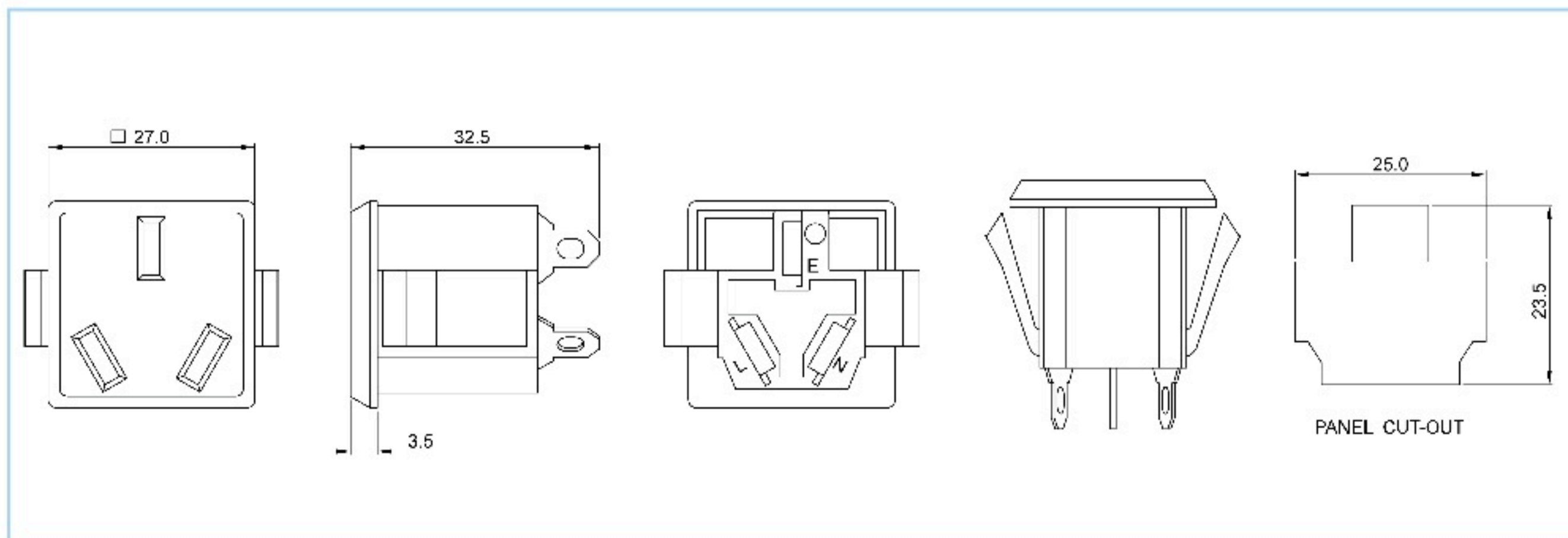


RA-03

- ◆ Standard: GB 1002
- ◆ Rating: 10A 250V AC
- ◆ Insulation Resistance: 100MΩ 500V DC / 1 minute
- ◆ Dielectric Strength: 2000V AC / 1 minute
- ◆ Housing Material: Thermoplastic 94V-2~V-0



Dimensions



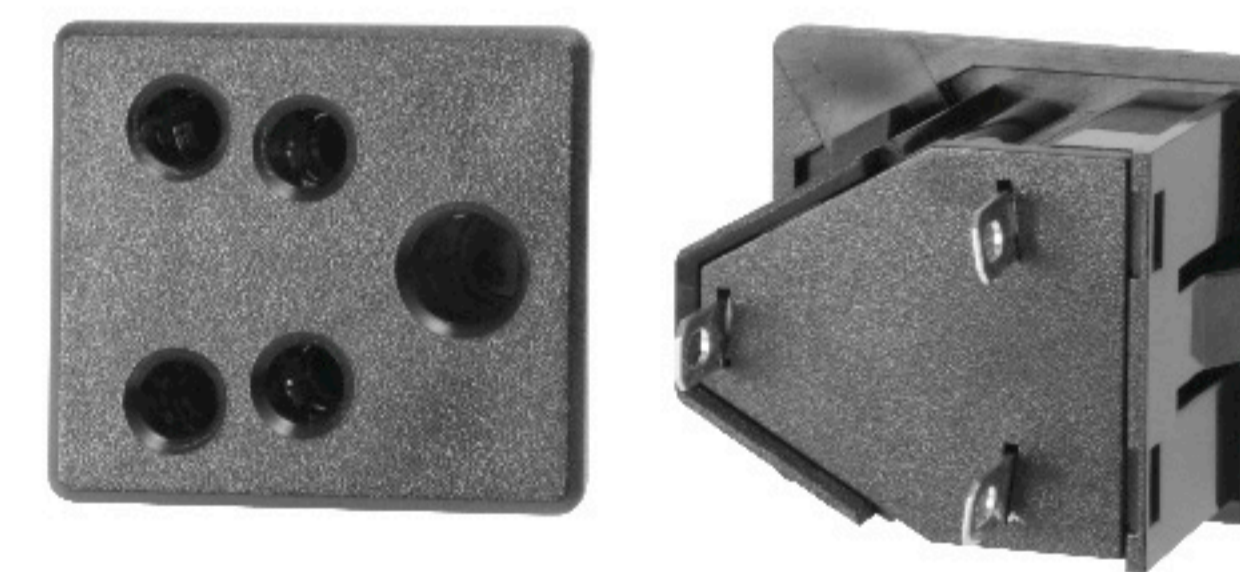
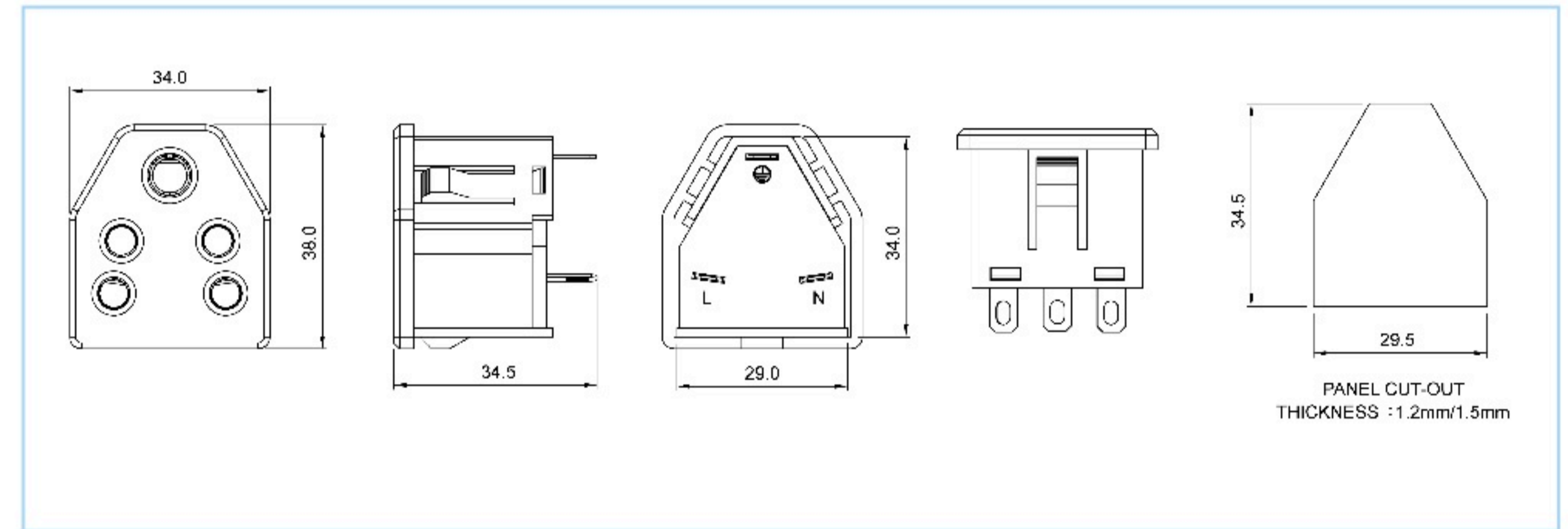
Indian Socket-Outlet



RD-04(B200)

- ◆ Standard: India Combined Receptacle
- ◆ Rating: 6A 240V AC
- ◆ Insulation Resistance: 100MΩ 500V DC / 1 minute
- ◆ Dielectric Strength: 2000V AC / 1 minute
- ◆ Housing Material: Thermoplastic 94V-2~V-0

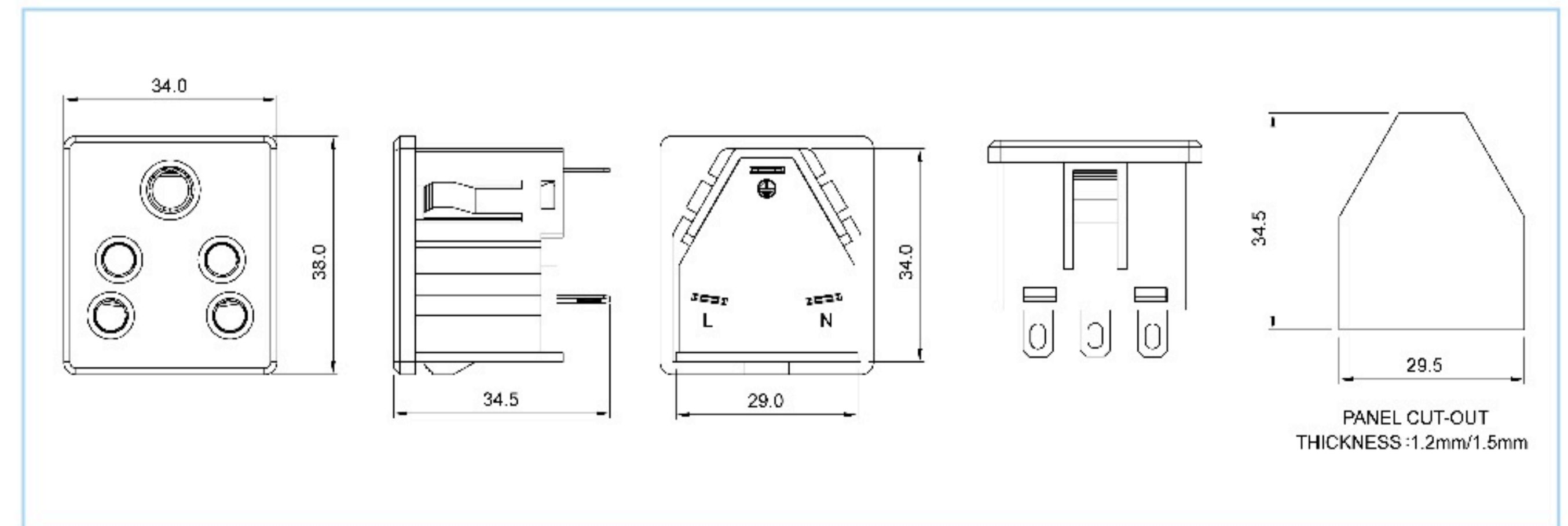
Dimensions



RD-04(B201)

- ◆ Standard: India Combined Receptacle
- ◆ Rating: 6A 240V AC
- ◆ Insulation Resistance: 100MΩ 500V DC / 1 minute
- ◆ Dielectric Strength: 2000V AC / 1 minute
- ◆ Housing Material: Thermoplastic 94V-2~V-0

Dimensions



U.K. Socket-Outlet

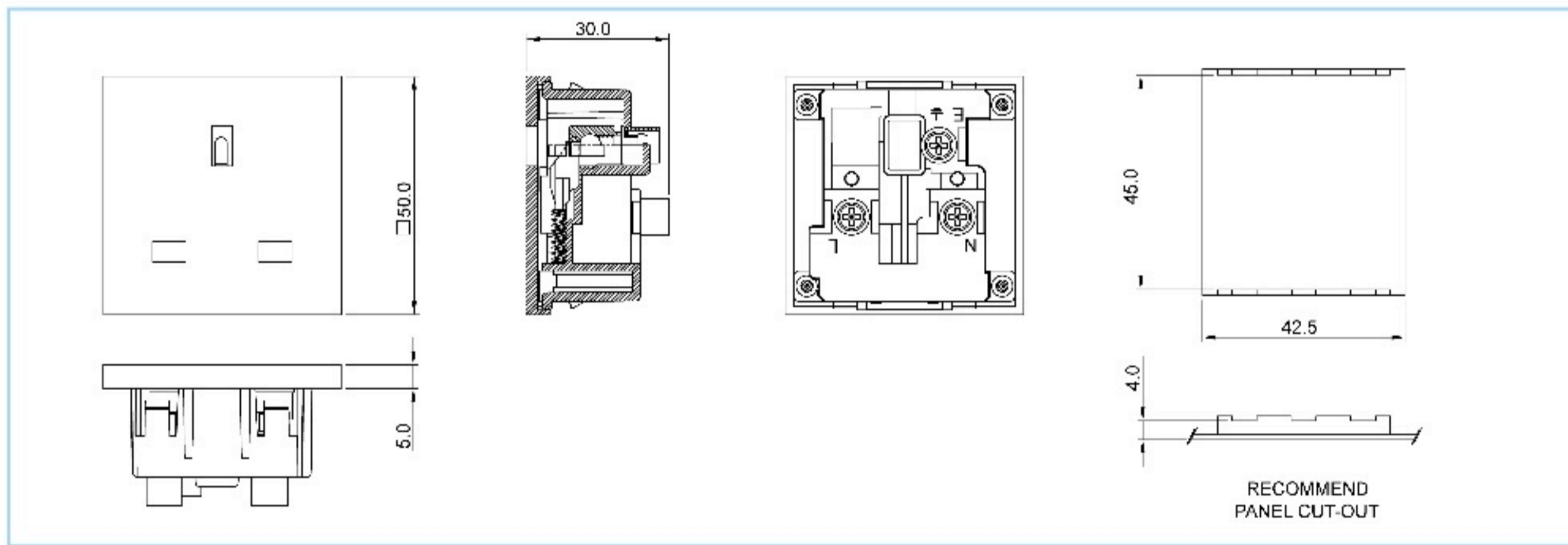


RB-02

- ◆ Standard: BS 1363
- ◆ Rating: 13A 250V AC
- ◆ Insulation Resistance: 100MΩ 500V DC / 1 minute
- ◆ Dielectric Strength: 2000V AC / 1 minute
- ◆ Housing Material: Thermoplastic 94V-2~V-0



Dimensions



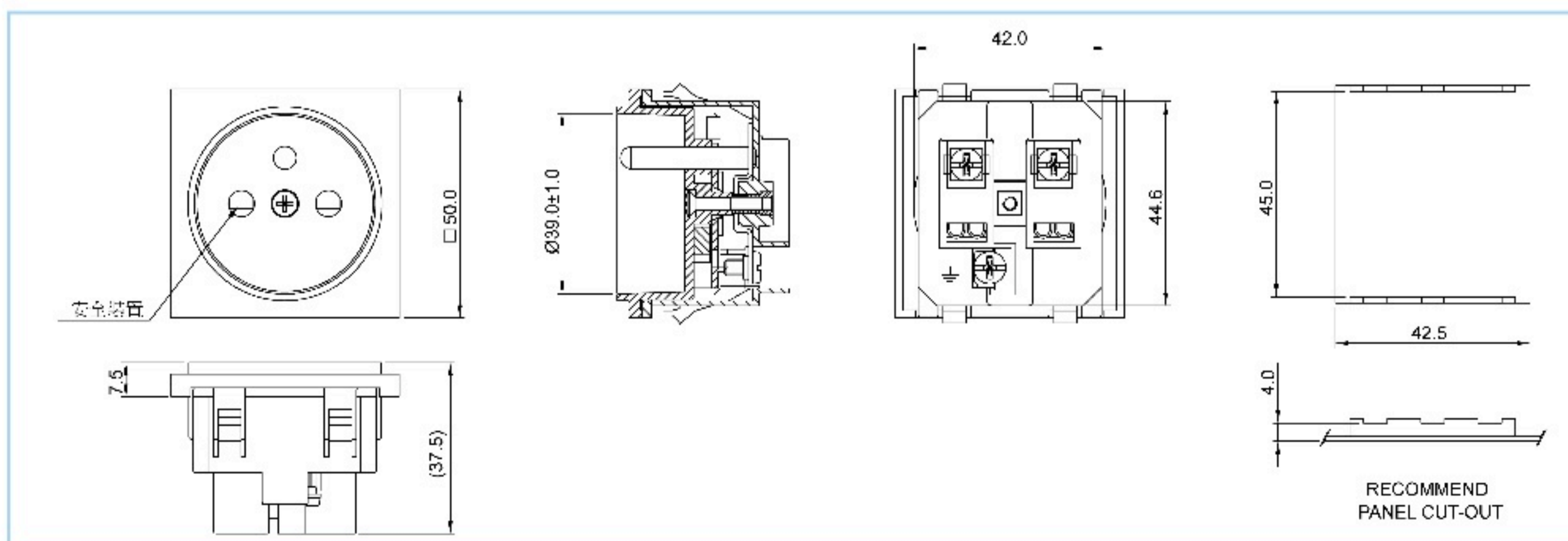
French Socket-Outlet



RF-02

- ◆ Standard: French Receptacle
- ◆ Rating: 16A 250V AC
- ◆ Insulation Resistance: 100MΩ 500V DC / 1 minute
- ◆ Dielectric Strength: 2000V AC / 1 minute
- ◆ Housing Material: Thermoplastic 94V-2~V-0

Dimensions



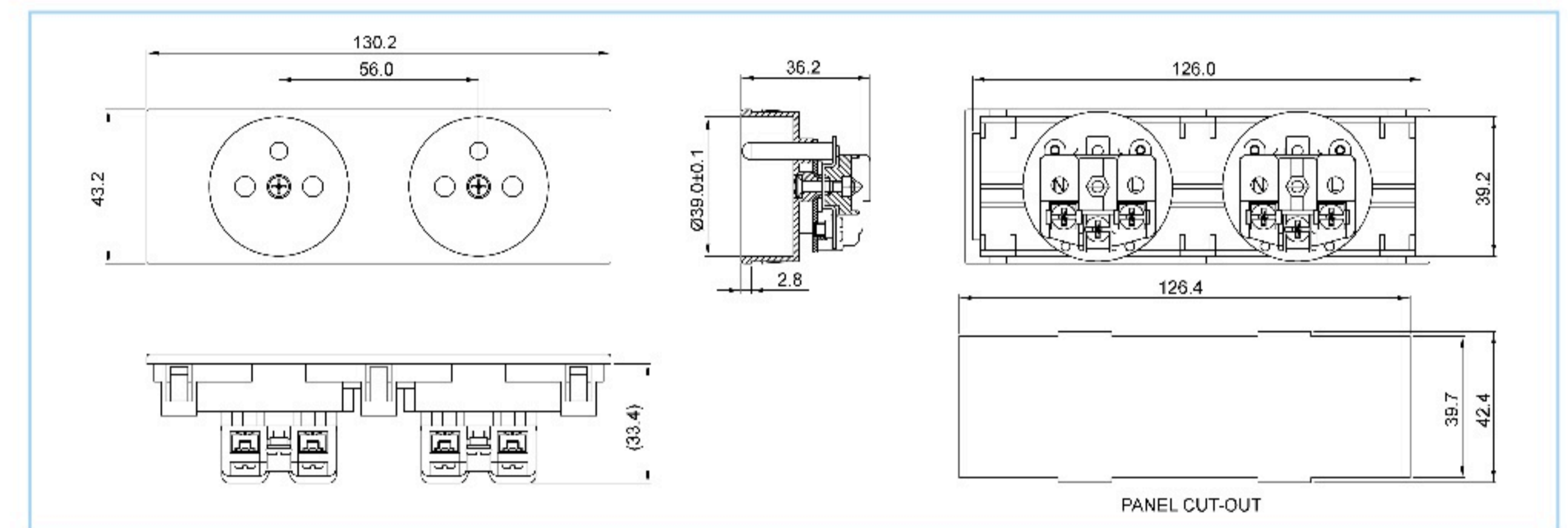
French Socket-Outlet



RF-02-B08

- ◆ Standard: French Receptacle
- ◆ Rating: 16A 250V AC
- ◆ Insulation Resistance: 100MΩ 500V DC / 1 minute
- ◆ Dielectric Strength: 2000V AC / 1 minute
- ◆ Housing Material: Thermoplastic 94V-2~V-0

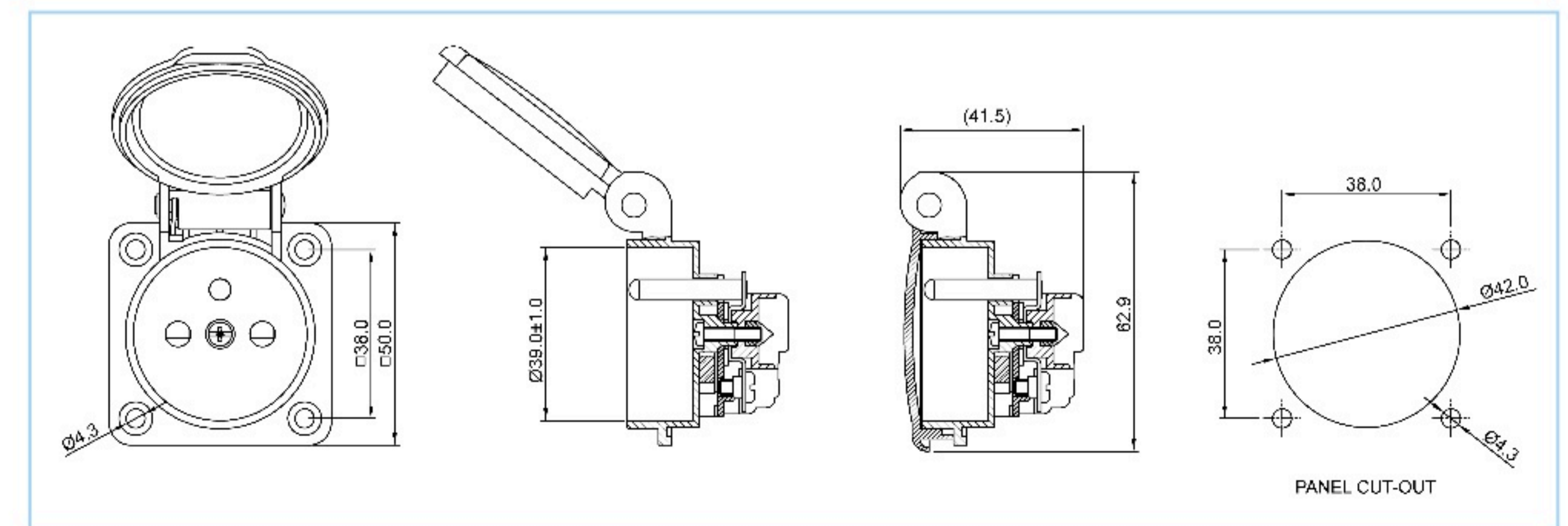
Dimensions



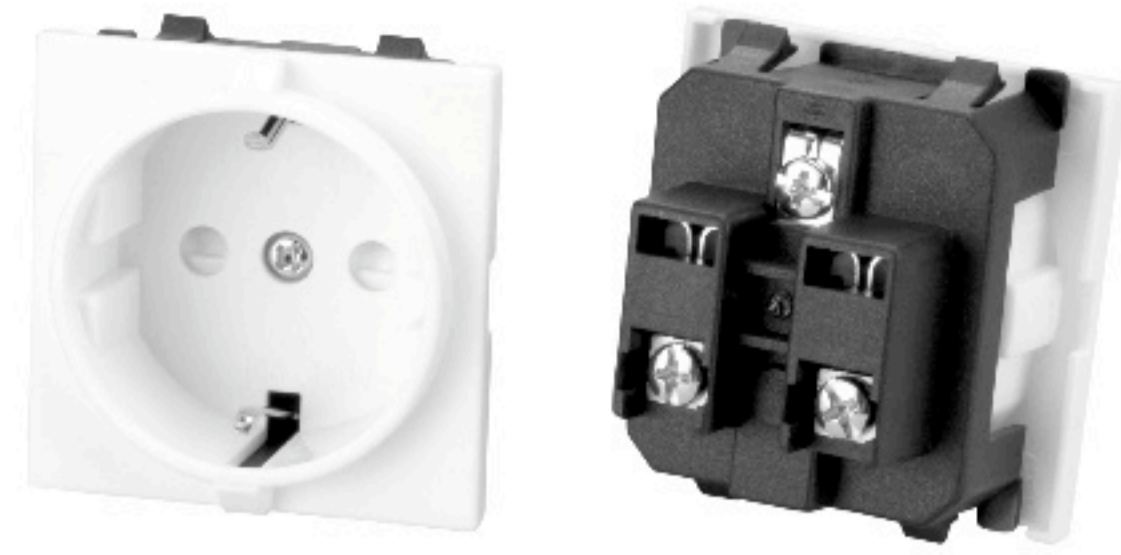
RF-04

- ◆ Standard: French Receptacle
- ◆ Rating: 16A 250V AC
- ◆ Insulation Resistance: 100MΩ 500V DC / 1 minute
- ◆ Dielectric Strength: 2000V AC / 1 minute
- ◆ Housing Material: Thermoplastic 94V-2~V-0

Dimensions



European Socket-Outlet

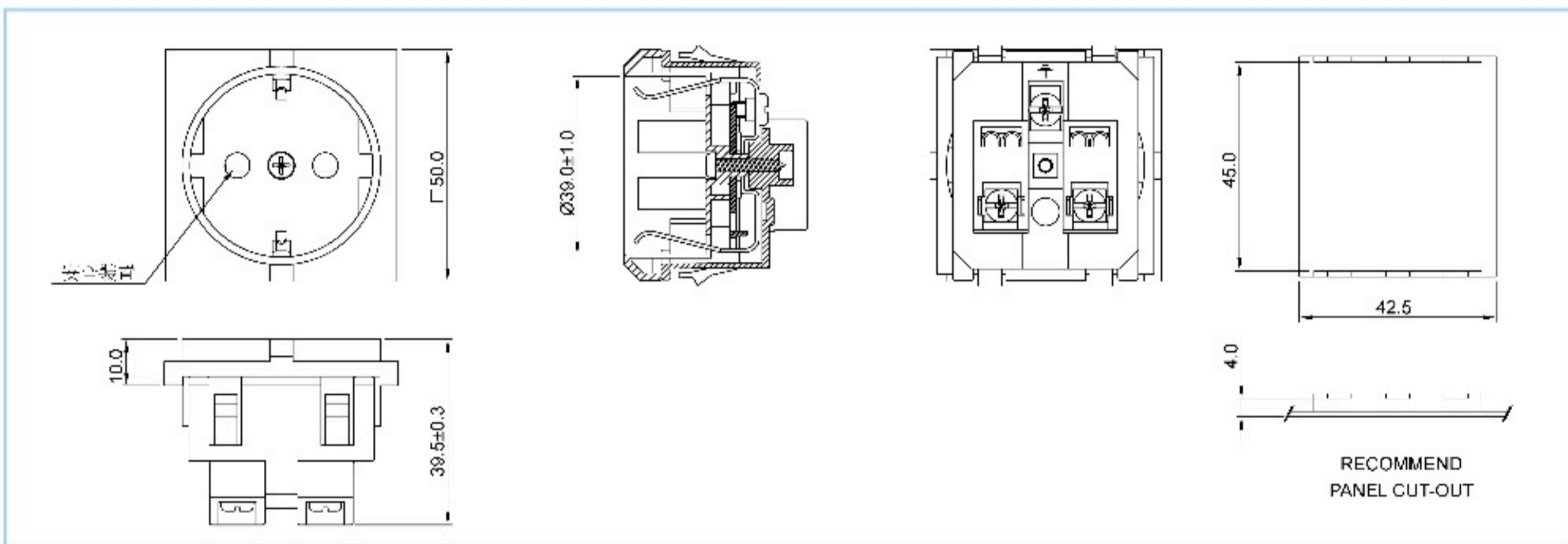


RG-02

- ◆ Standard: DIN 49 440
- ◆ Rating: 16A 250V AC
- ◆ Insulation Resistance: 100MΩ 500V DC / 1 minute
- ◆ Dielectric Strength: 2000V AC / 1 minute
- ◆ Housing Material: Thermoplastic 94V-2~V-0



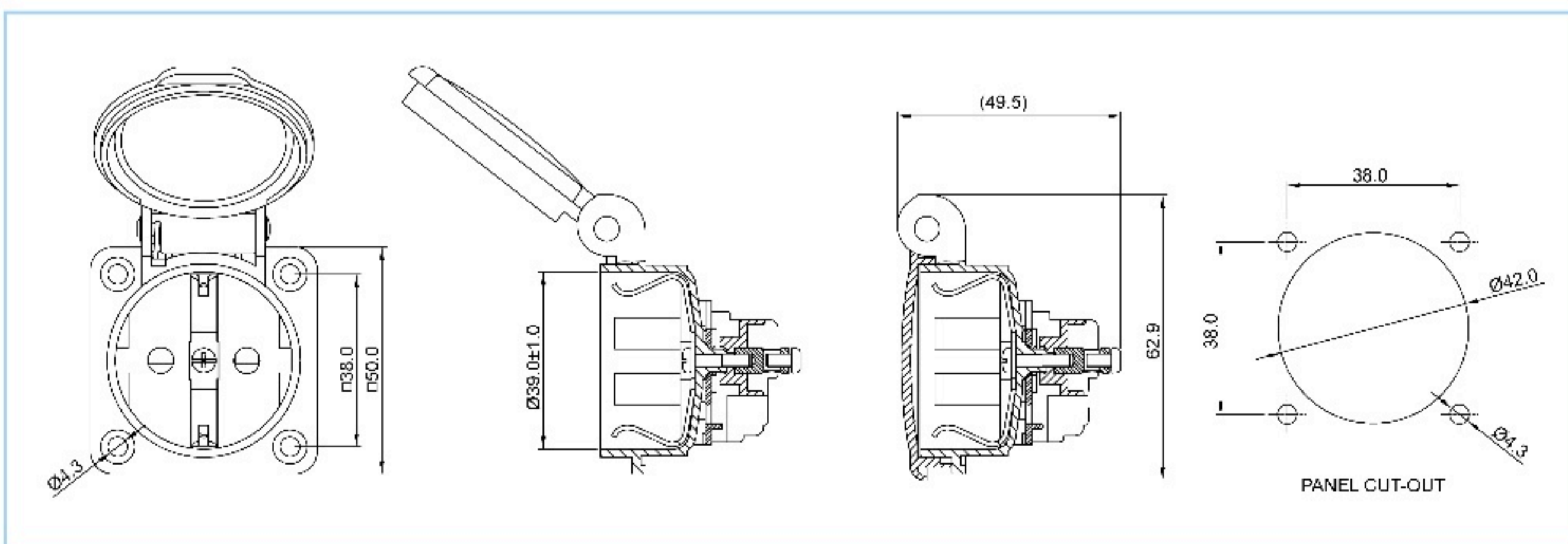
Dimensions



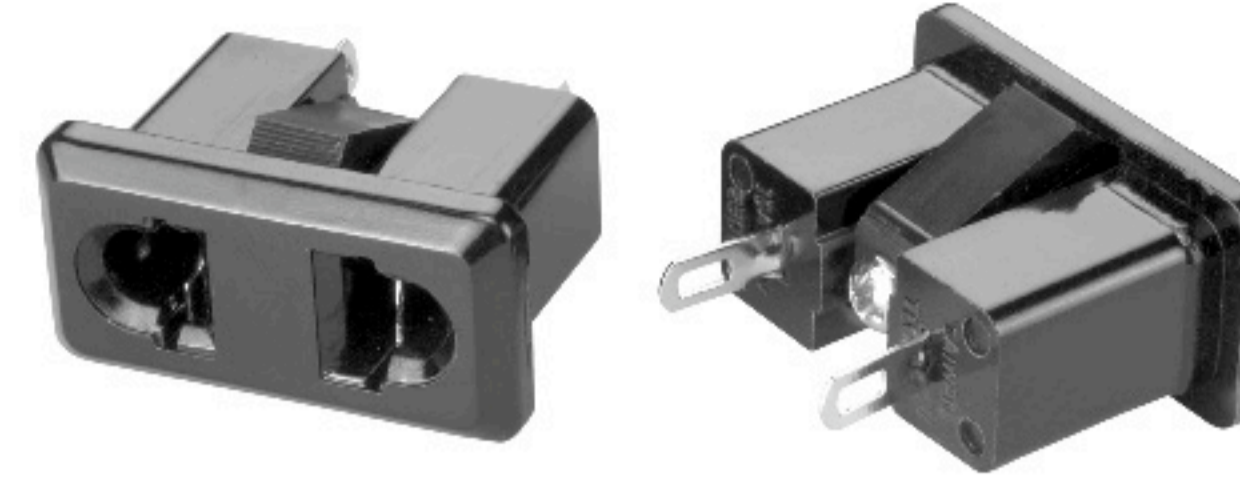
RG-04

- ◆ Standard: SCHUKO Receptacle
- ◆ Rating: 16A 250V AC
- ◆ Insulation Resistance: 100MΩ 500V DC / 1 minute
- ◆ Dielectric Strength: 2000V AC / 1 minute
- ◆ Housing Material: Thermoplastic 94V-2~V-0

Dimensions



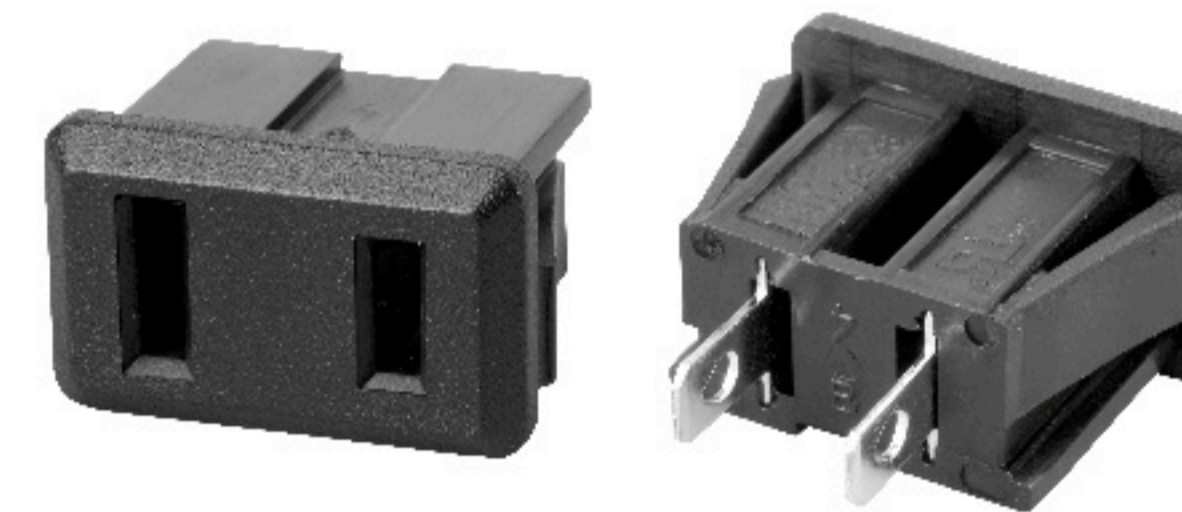
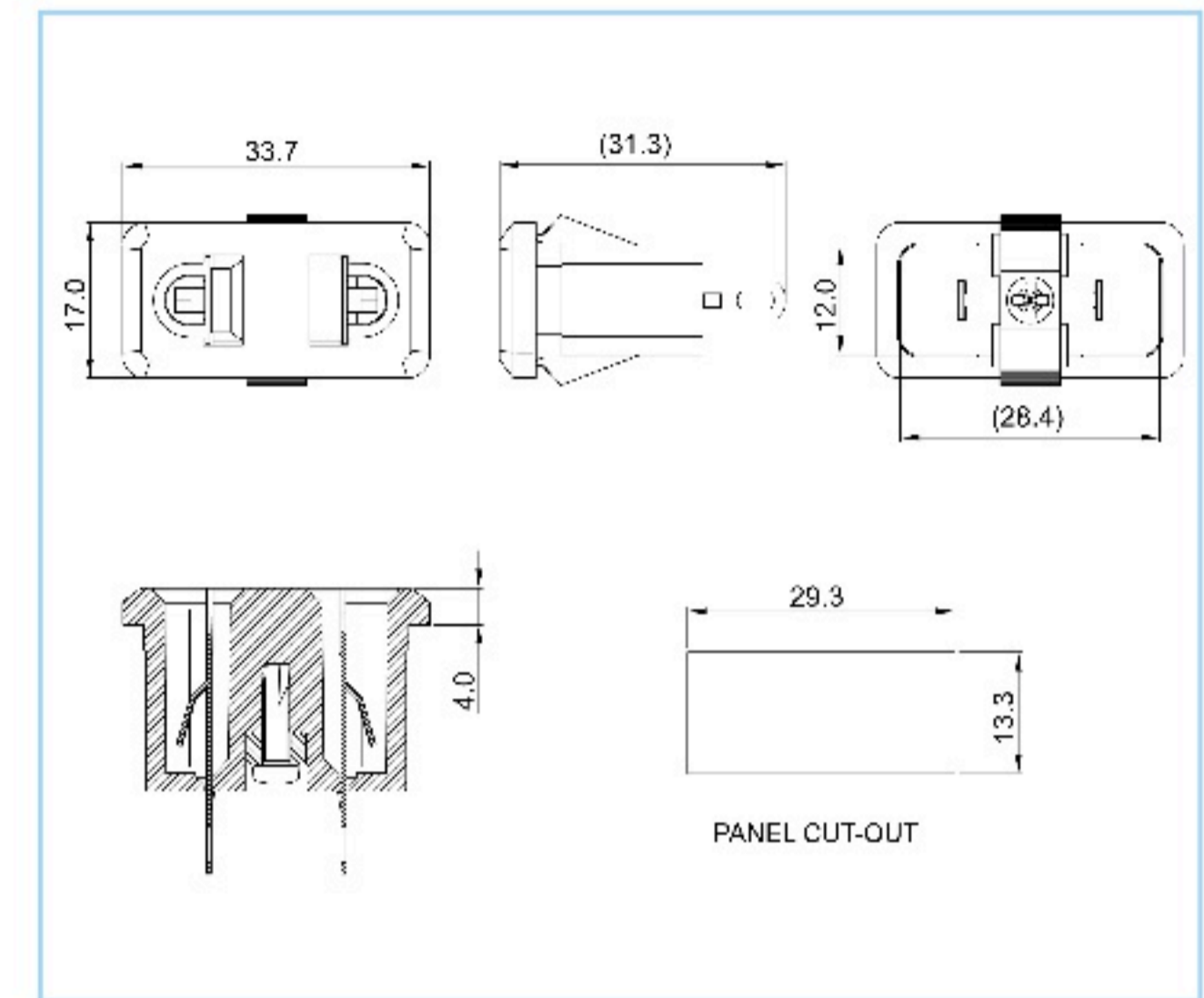
U.S. Socket-Outlet



RU-02-97

- ◆ Standard: US Receptacle
- ◆ Rating: 15A 125V AC
- ◆ Insulation Resistance: 100MΩ 500V DC / 1 minute
- ◆ Dielectric Strength: 2000V AC / 1 minute
- ◆ Housing Material: Thermoplastic 94V-2~V-0

Dimensions

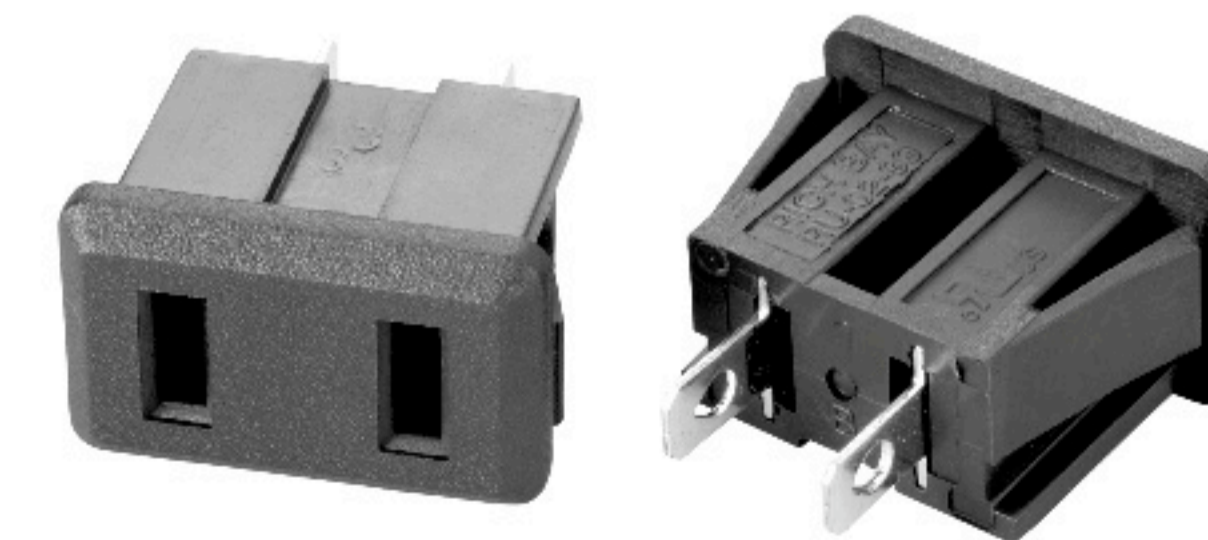
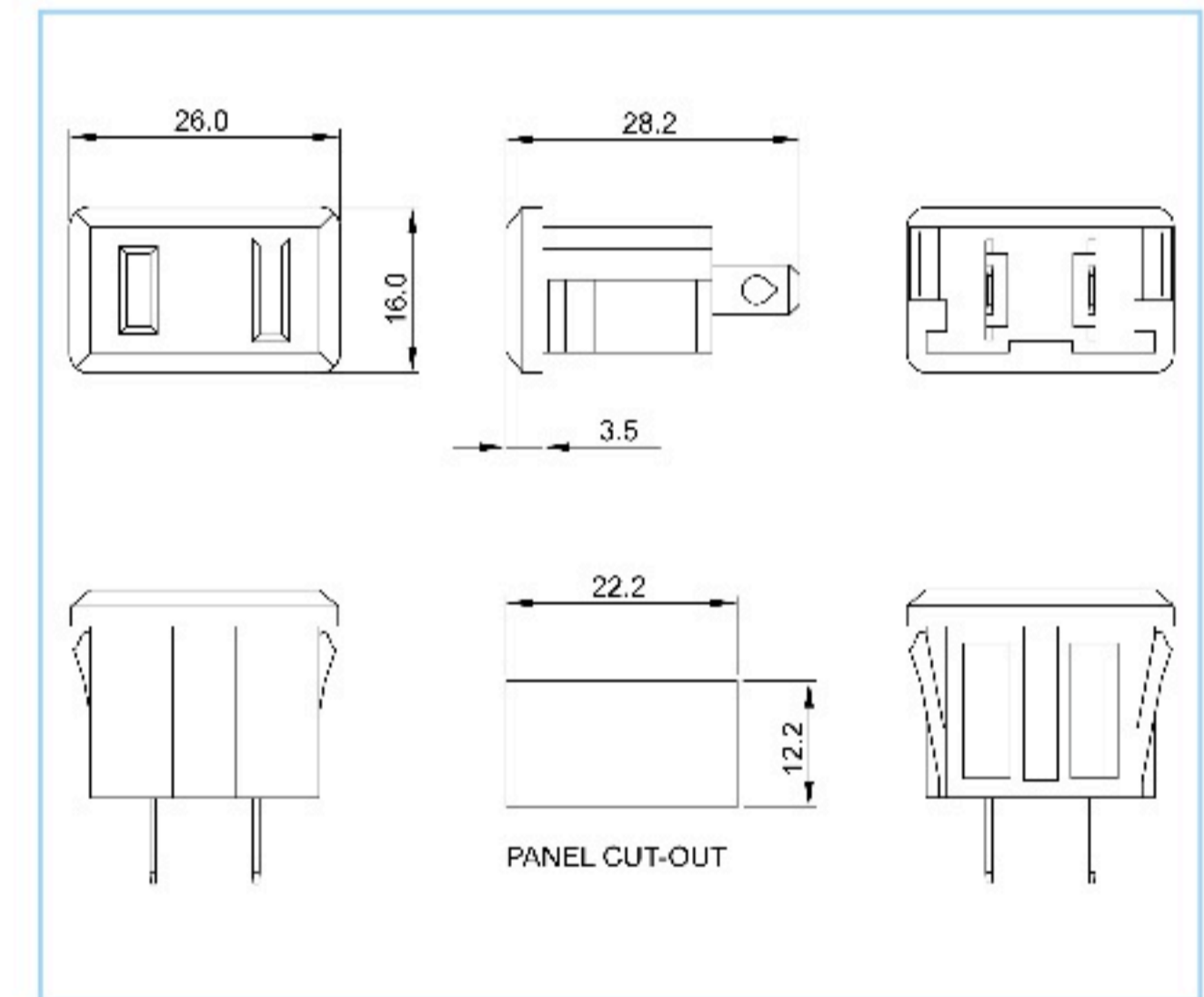


RU-02-98

- ◆ Standard: UL 498
- ◆ Rating: 15A 125V AC
- ◆ Insulation Resistance: 100MΩ 500V DC / 1 minute
- ◆ Dielectric Strength: 2000V AC / 1 minute
- ◆ Housing Material: Thermoplastic 94V-2~V-0



Dimensions

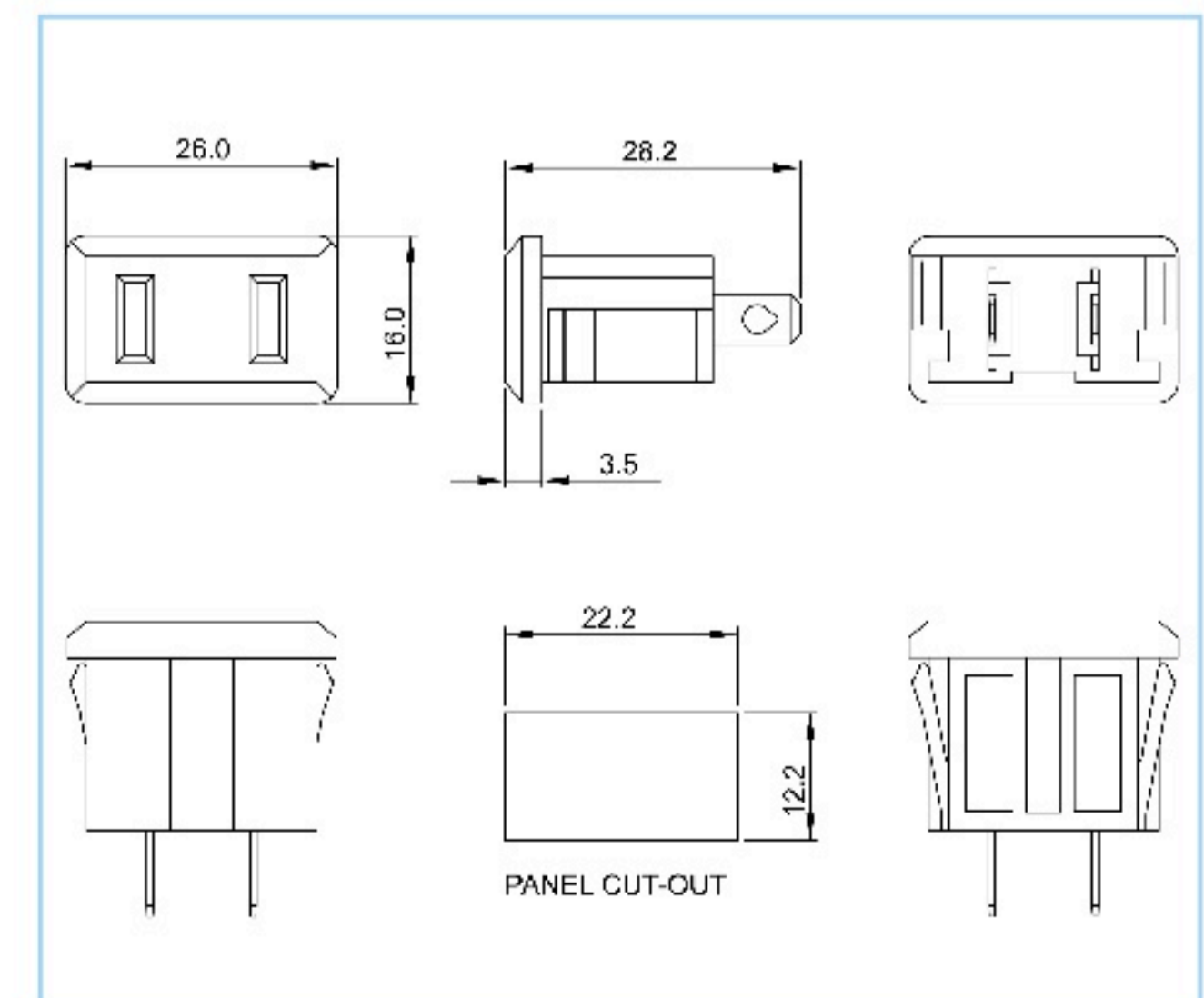


RU-02-99

- ◆ Standard: UL 498
- ◆ Rating: 15A 125V AC
- ◆ Insulation Resistance: 100MΩ 500V DC / 1 minute
- ◆ Dielectric Strength: 2000V AC / 1 minute
- ◆ Housing Material: Thermoplastic 94V-2~V-0



Dimensions



U.S. Socket-Outlet

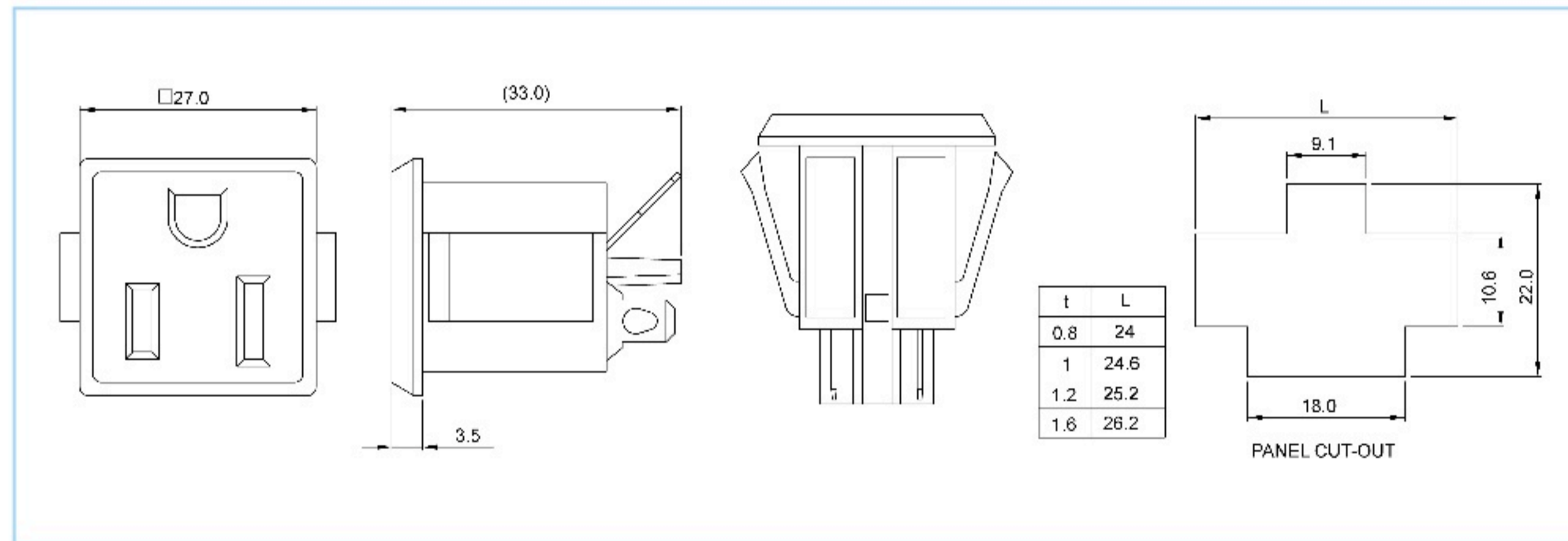


RU-02

- ◆ Standard: UL 498
- ◆ Rating: 15A 125V AC
- ◆ Insulation Resistance: 100MΩ 500V DC / 1 minute
- ◆ Dielectric Strength: 2000V AC / 1 minute
- ◆ Housing Material: Thermoplastic 94V-2~V-0



Dimensions



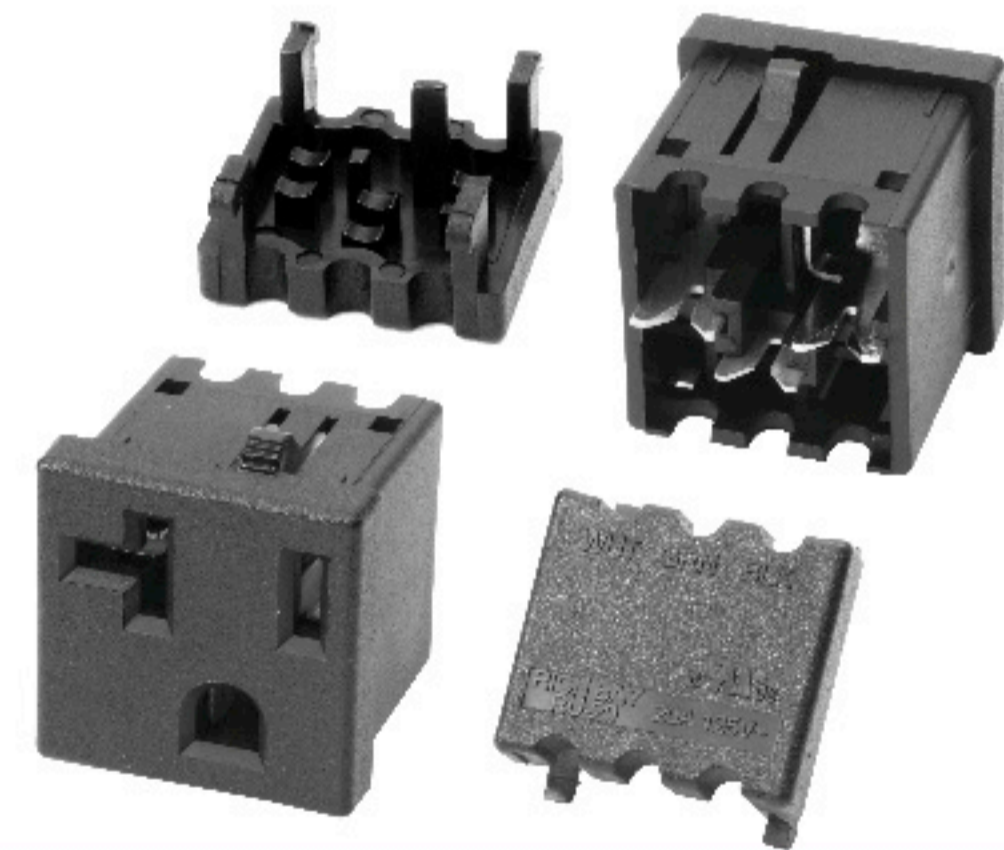
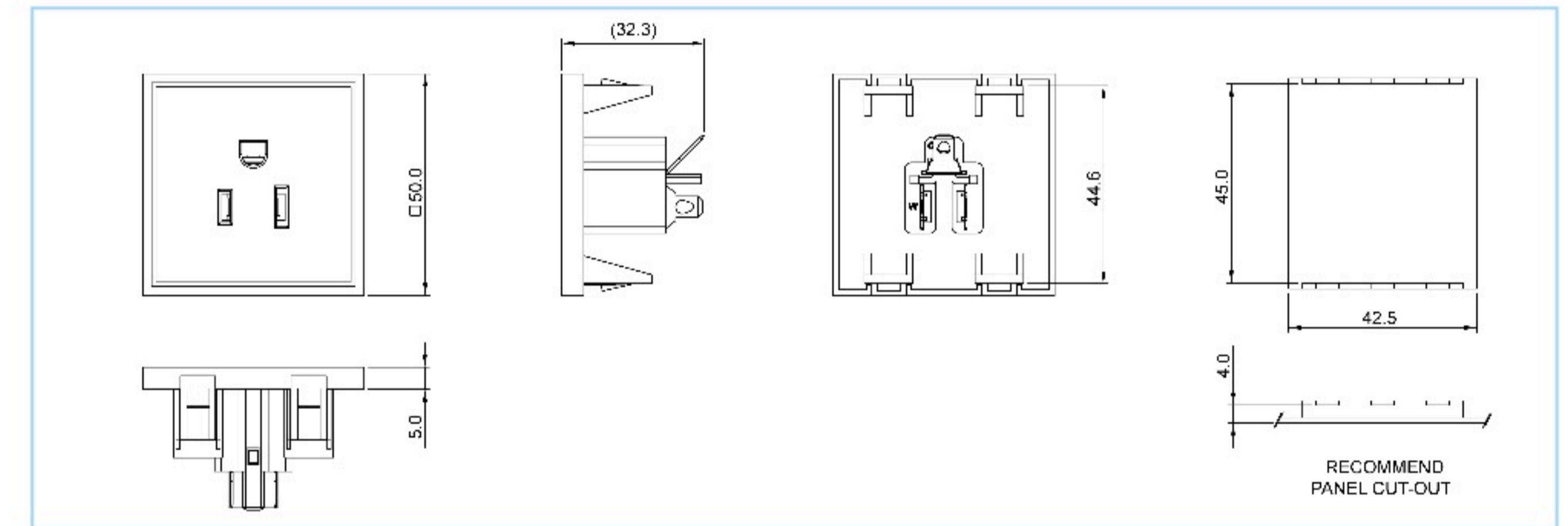
U.S. Socket-Outlet



RU-02-18

- ◆ Standard: US Receptacle
- ◆ Rating: 15A 125V AC
- ◆ Insulation Resistance: 100MΩ 500V DC / 1 minute
- ◆ Dielectric Strength: 2000V AC / 1 minute
- ◆ Housing Material: Thermoplastic 94V-2~V-0

Dimensions

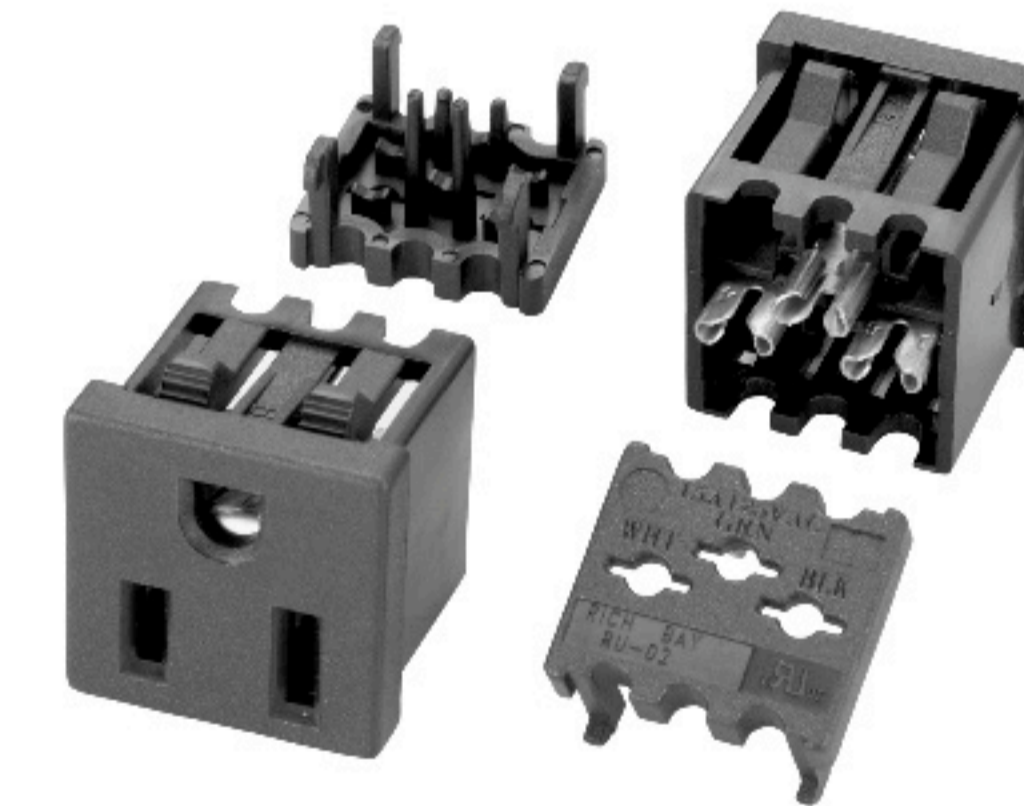
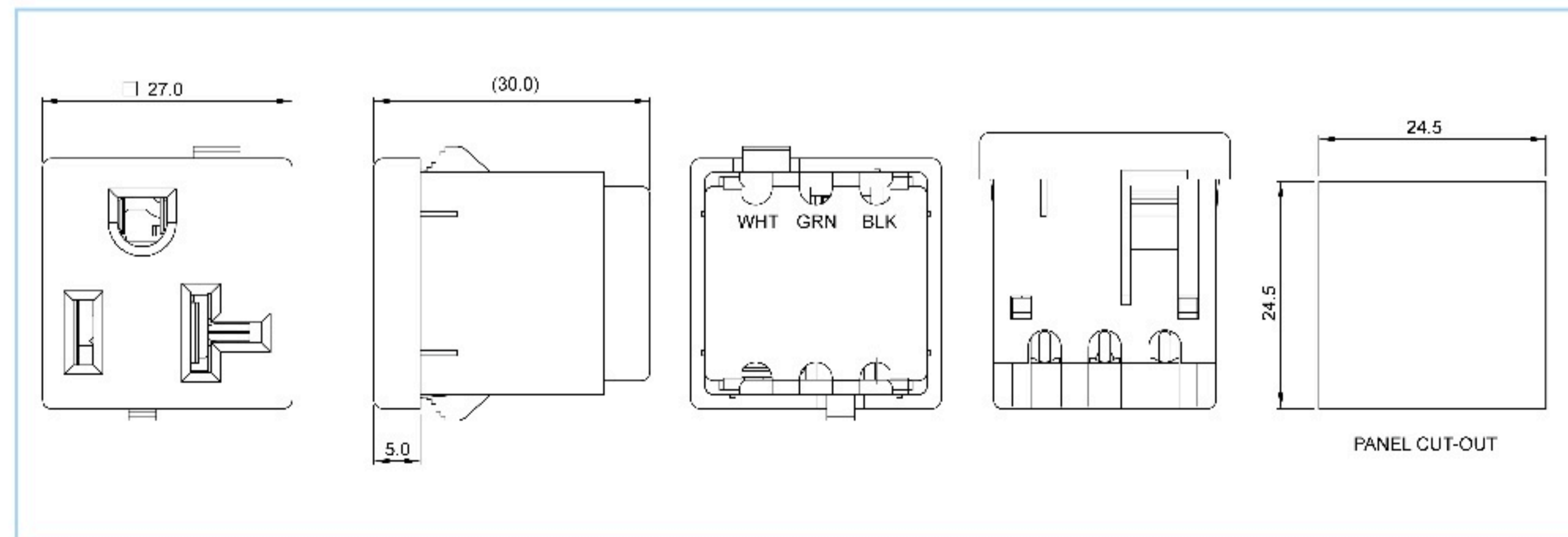


RU-20

- ◆ Standard: UL 498
- ◆ Rating: 20A 125V AC
- ◆ Insulation Resistance: 100MΩ 500V DC / 1 minute
- ◆ Dielectric Strength: 2000V AC / 1 minute
- ◆ Housing Material: Thermoplastic 94V-2~V-0



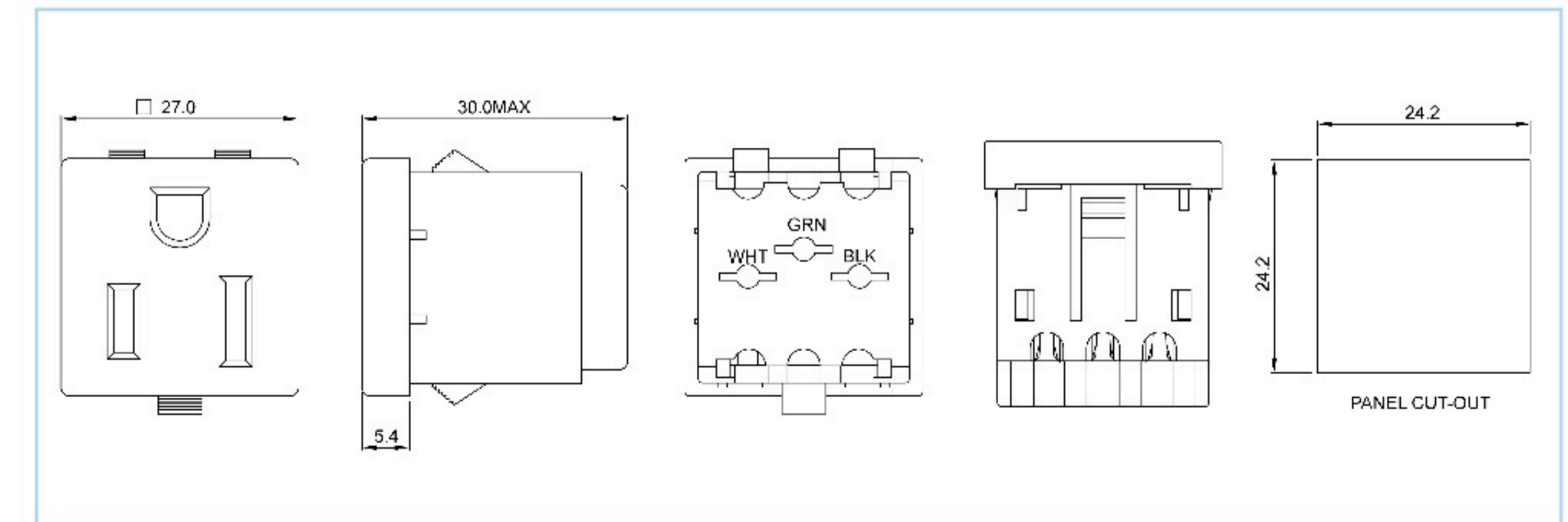
Dimensions



RU-02(B04)

- ◆ Standard: US Receptacle
- ◆ Rating: 15A 125V AC
- ◆ Insulation Resistance: 100MΩ 500V DC / 1 minute
- ◆ Dielectric Strength: 2000V AC / 1 minute
- ◆ Housing Material: Thermoplastic 94V-2~V-0

Dimensions



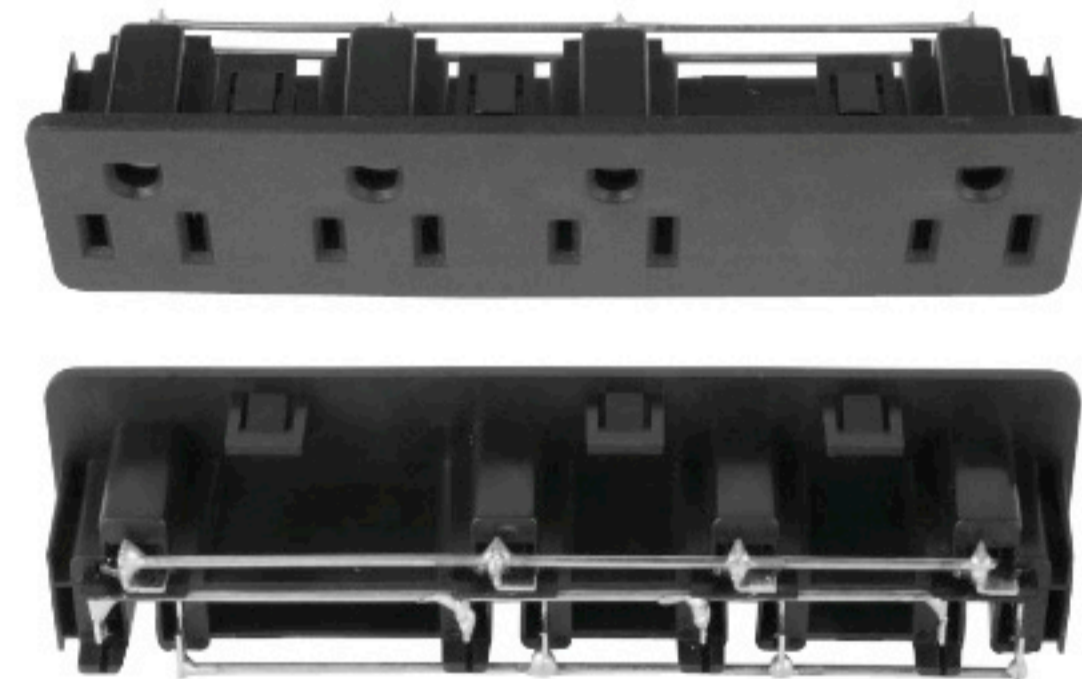
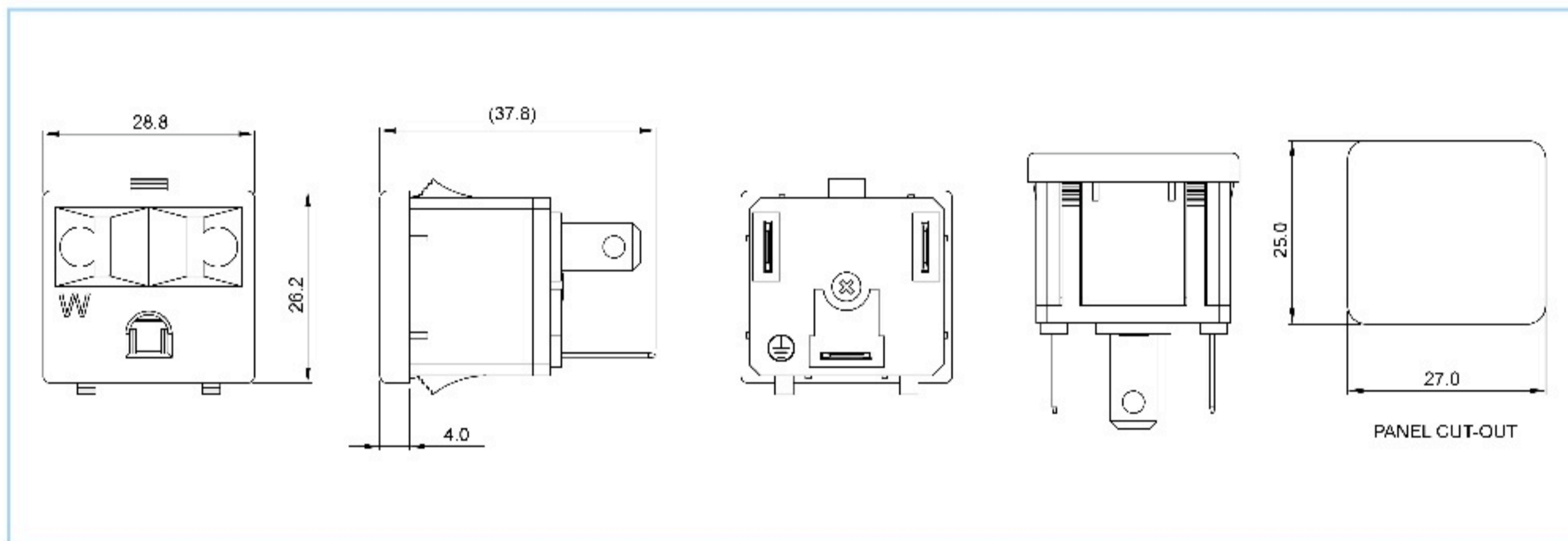
U.S. Socket-Outlet



RU-03-B201

- ◆ Standard: US Receptacle
- ◆ Rating: 15A 250V AC
- ◆ Insulation Resistance: 100MΩ 500V DC / 1 minute
- ◆ Dielectric Strength: 2000V AC / 1 minute
- ◆ Housing Material: Thermoplastic 94V-2~V-0

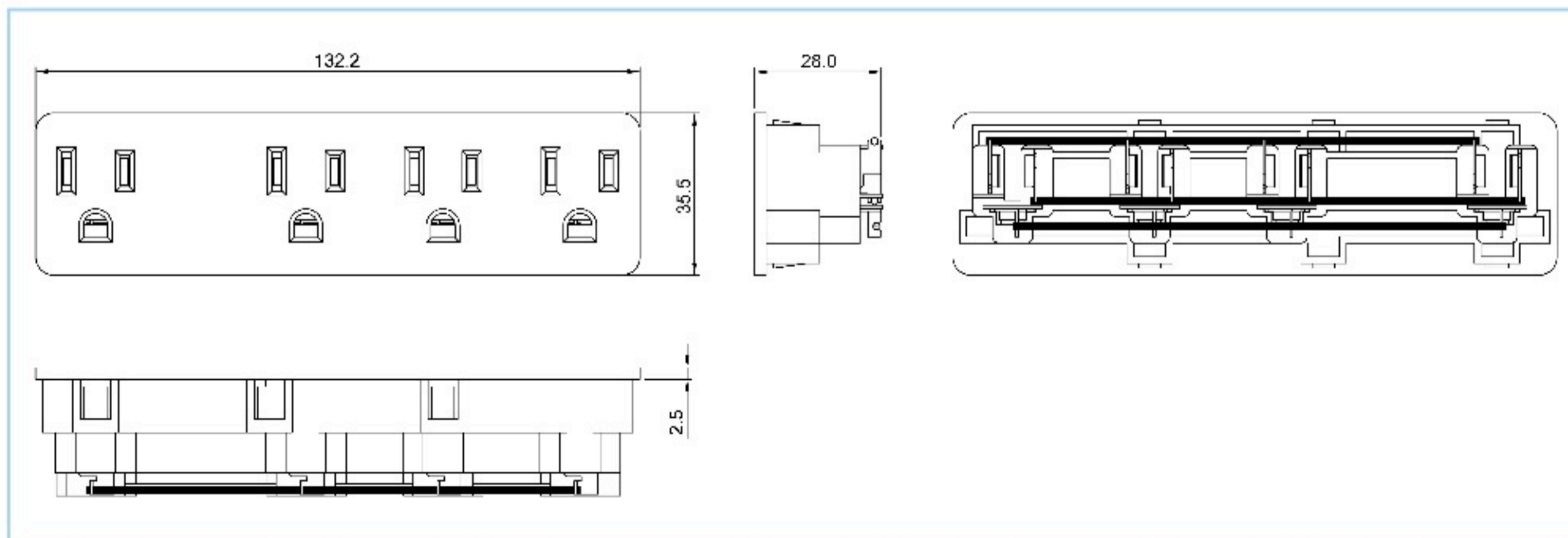
Dimensions



RU-02G4

- ◆ Standard: US Receptacle
- ◆ Rating: 15A 125V AC
- ◆ Insulation Resistance: 100MΩ 500V DC / 1 minute
- ◆ Dielectric Strength: 2000V AC / 1 minute
- ◆ Housing Material: Thermoplastic 94V-2~V-0

Dimensions



U.S. Socket-Outlet

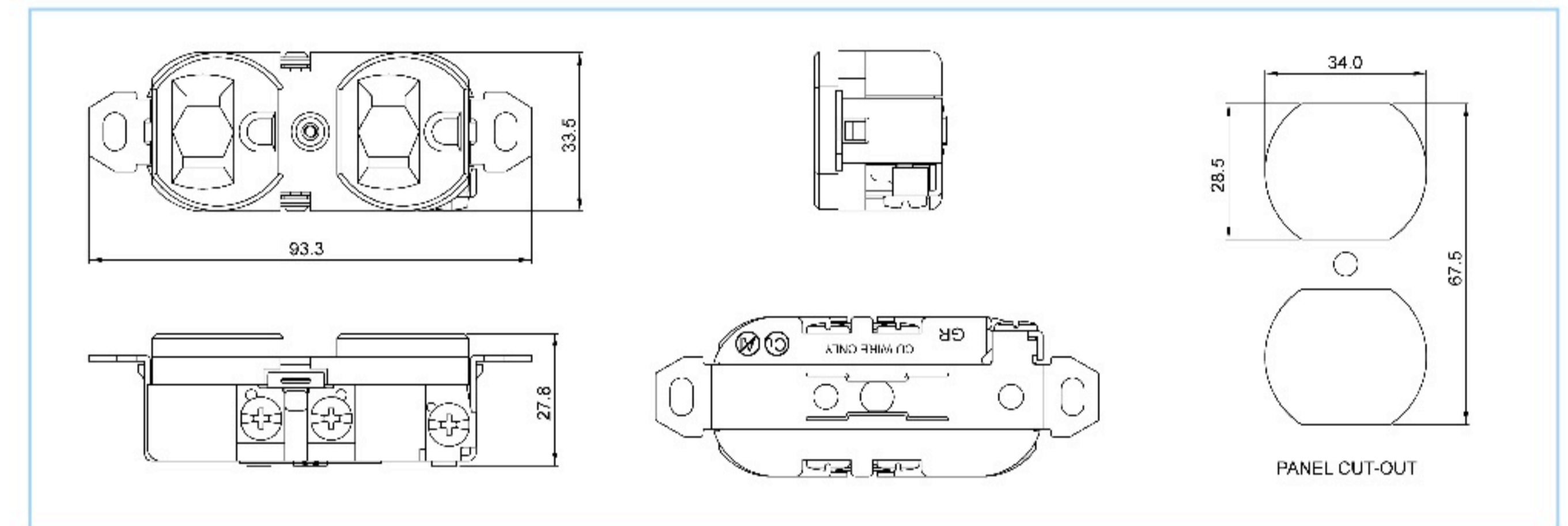


RU-12

- ◆ Standard: UL 498
- ◆ Rating: 15A 125V AC
- ◆ Insulation Resistance: 100MΩ 500V DC / 1 minute
- ◆ Dielectric Strength: 2000V AC / 1 minute
- ◆ Housing Material: Thermoplastic 94V-2~V-0



Dimensions

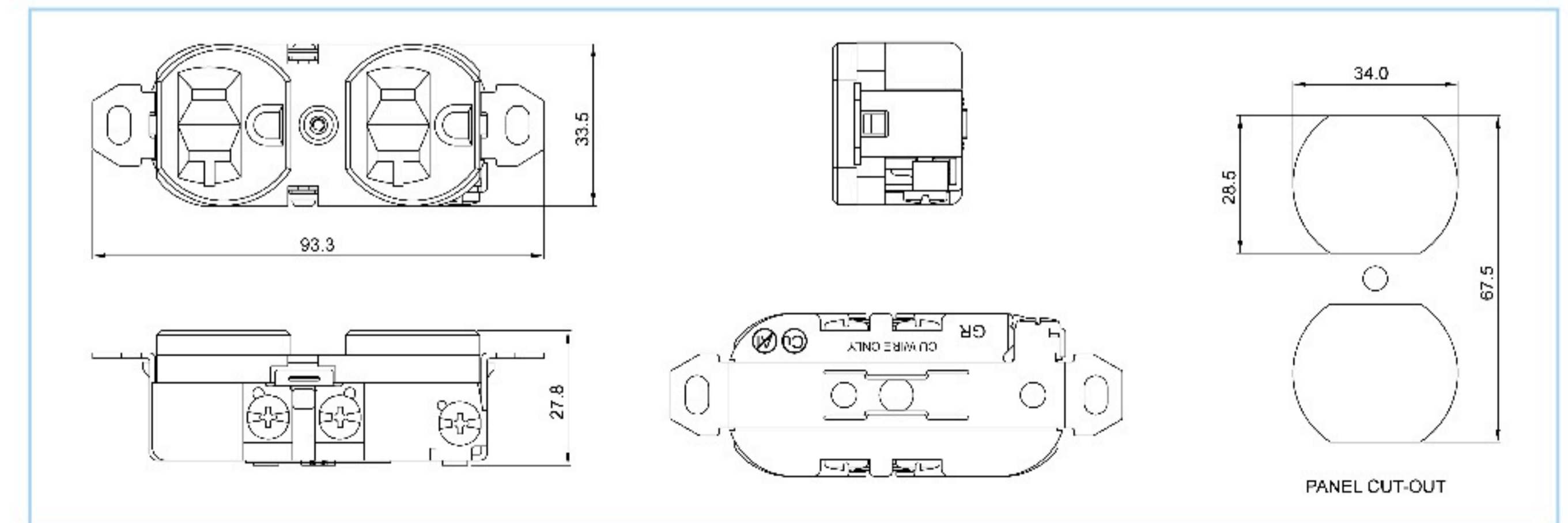


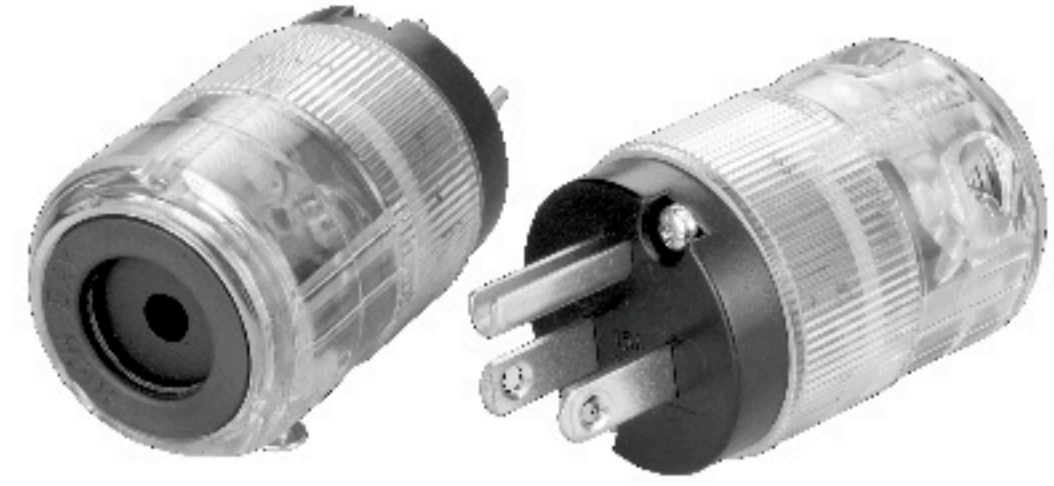
RU-22

- ◆ Standard: UL 498
- ◆ Rating: 20A 125V AC
- ◆ Insulation Resistance: 100MΩ 500V DC / 1 minute
- ◆ Dielectric Strength: 2000V AC / 1 minute
- ◆ Housing Material: Thermoplastic 94V-2~V-0



Dimensions

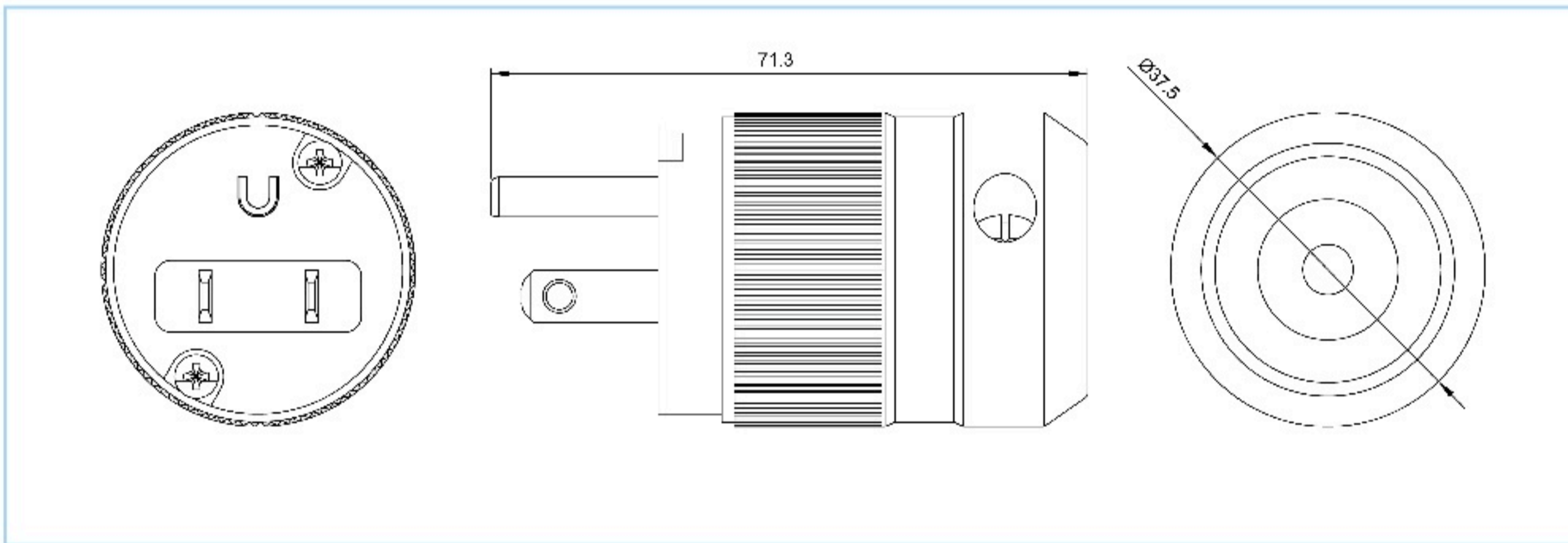




RU-515P

- ◆ Standard: US Plug
- ◆ Rating: 15A 125V AC
- ◆ Insulation Resistance: 100MΩ 500V DC / 1 minute
- ◆ Dielectric Strength: 2000V AC / 1 minute

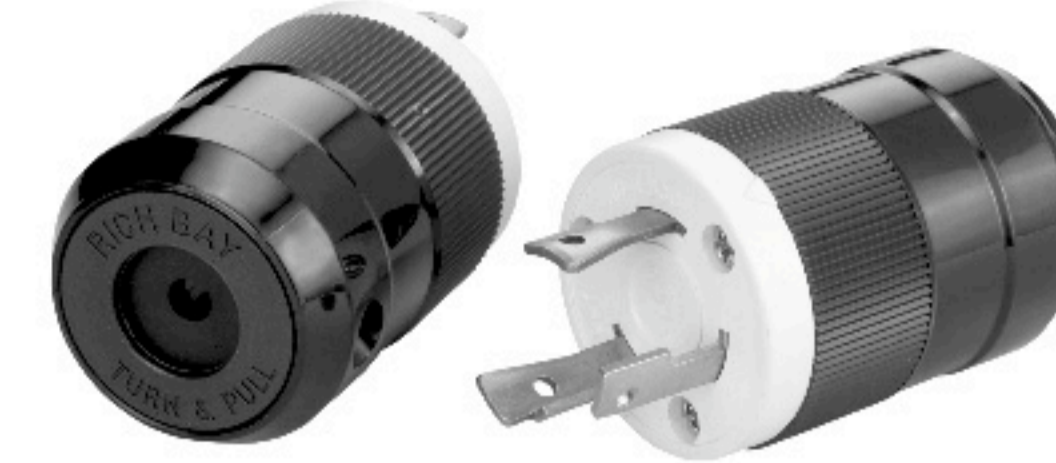
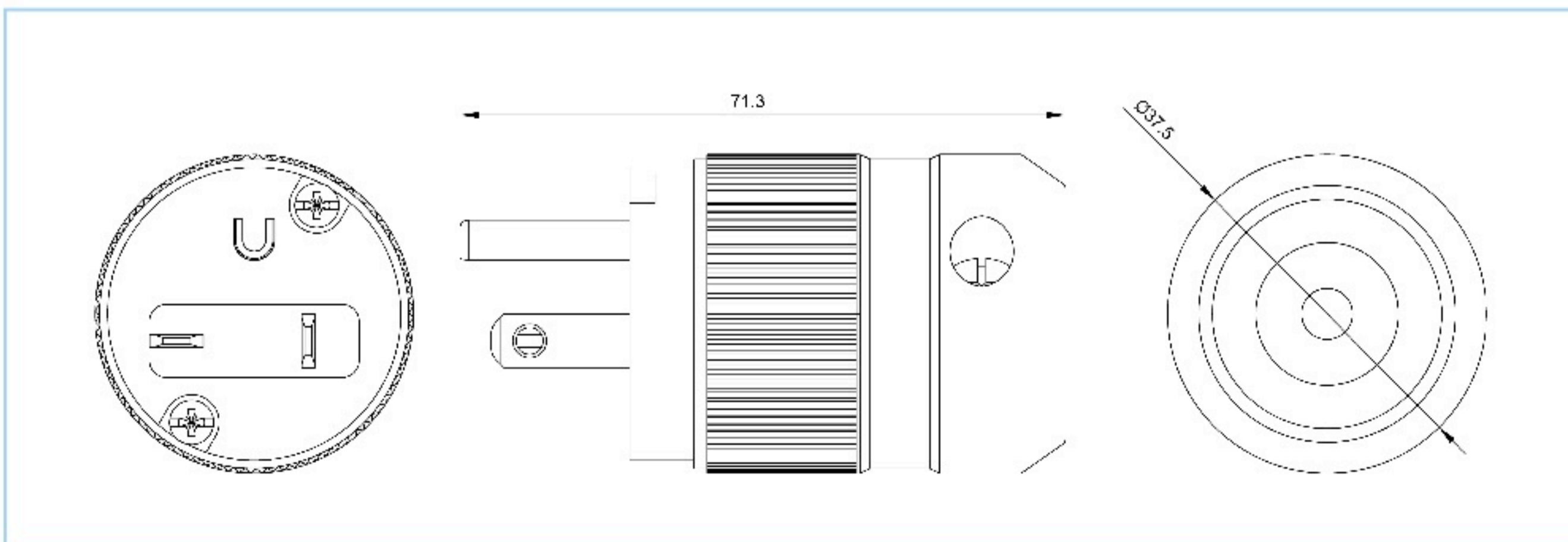
Dimensions



RU-520P

- ◆ Standard: UL 498
- ◆ Rating: 20A 125V AC
- ◆ Insulation Resistance: 100MΩ 500V DC / 1 minute
- ◆ Dielectric Strength: 2000V AC / 1 minute

Dimensions

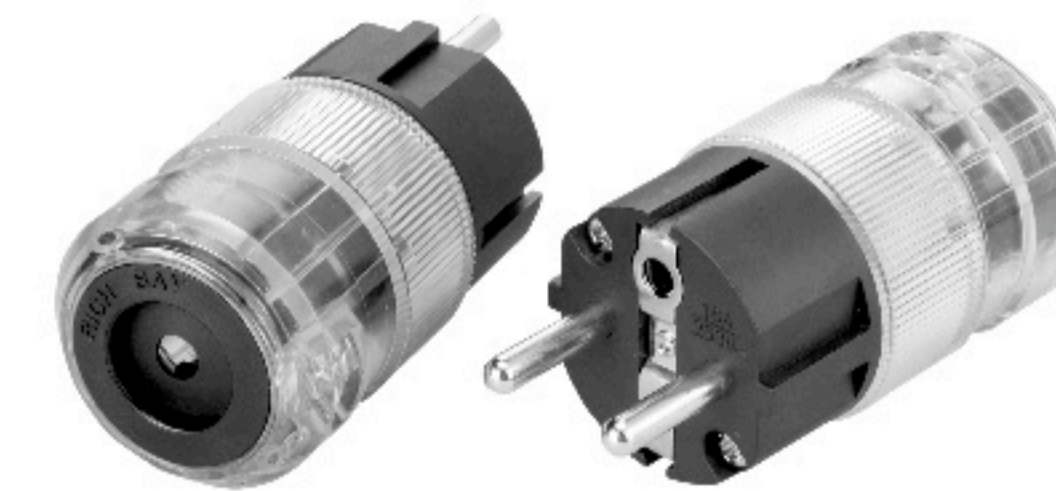
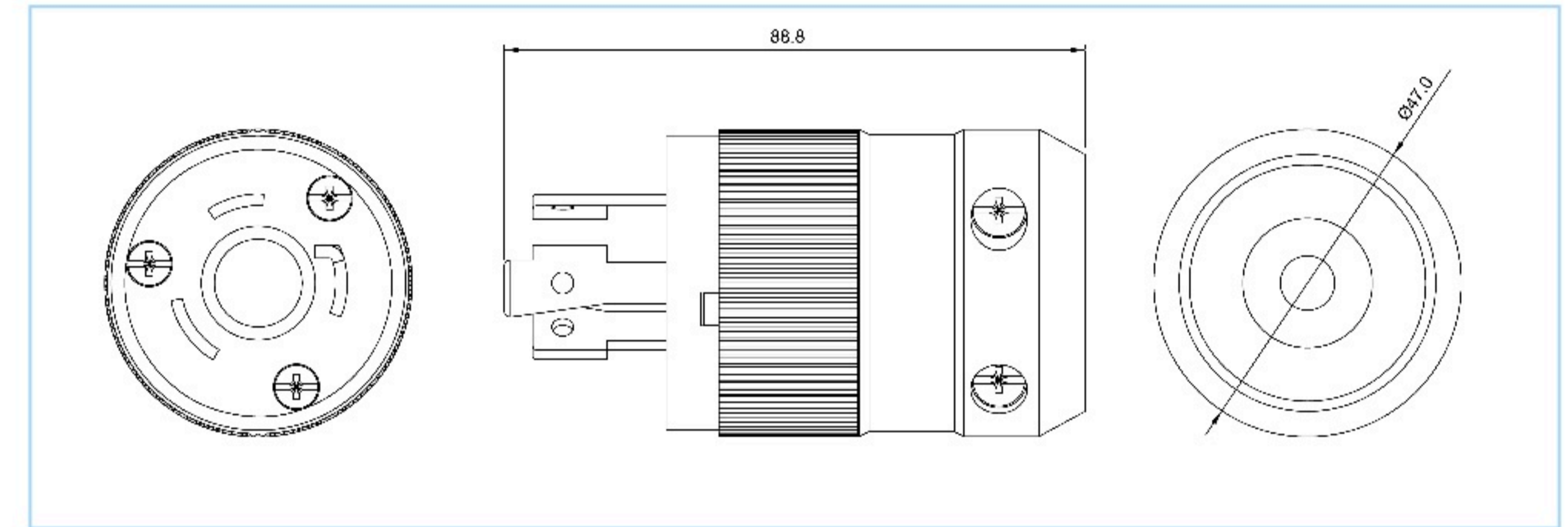


RU-L530P

- ◆ Standard: UL 498
- ◆ Rating: 30A 125V AC
- ◆ Insulation Resistance: 100MΩ 500V DC / 1 minute
- ◆ Dielectric Strength: 2000V AC / 1 minute



Dimensions

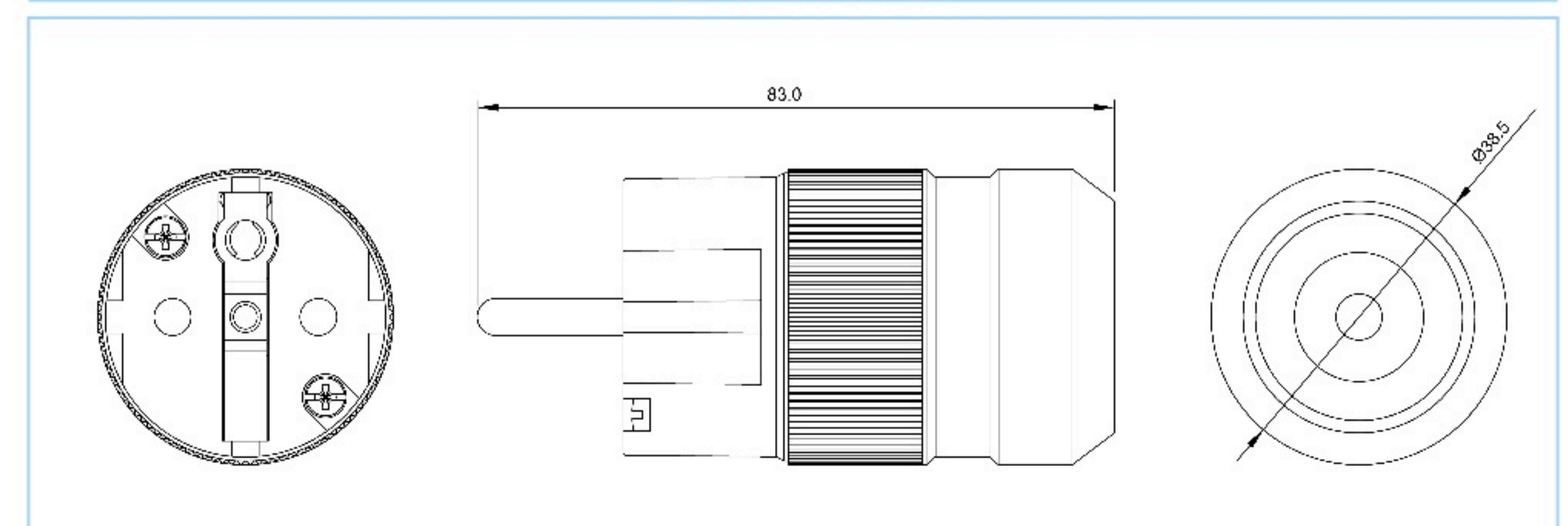


RG-01

- ◆ Standard: DIN 49441-R2
- ◆ Rating: 16A 250V AC
- ◆ Insulation Resistance: 100MΩ 500V DC / 1 minute
- ◆ Dielectric Strength: 2000V AC / 1 minute



Dimensions



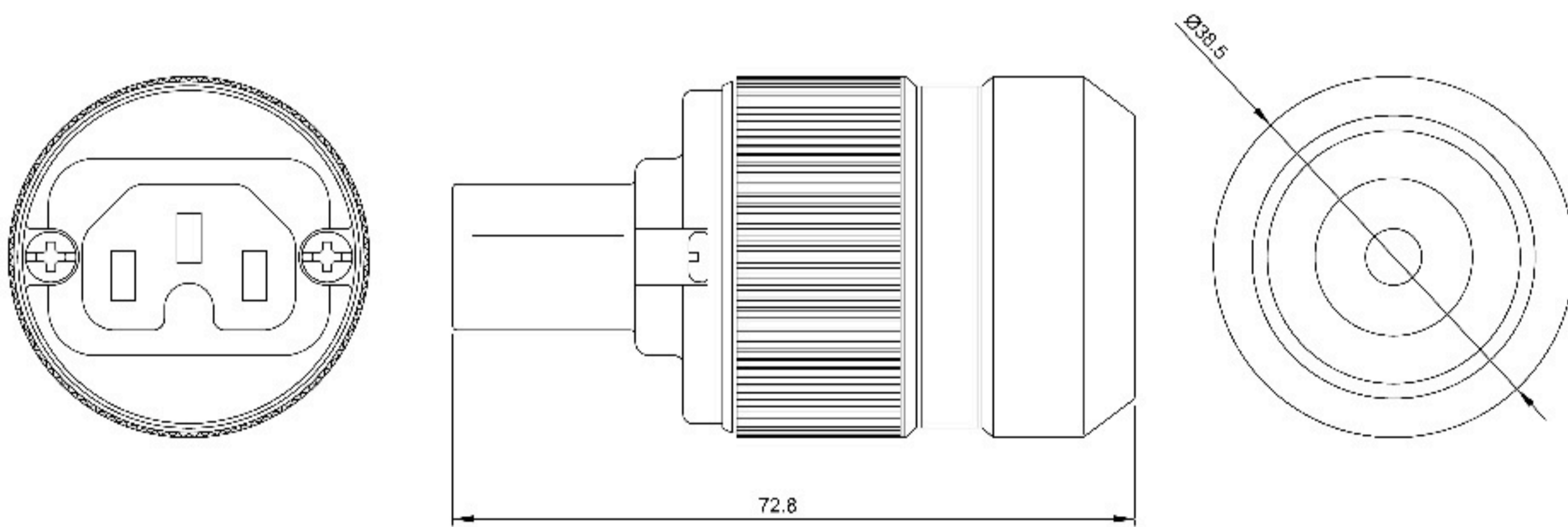
Special Purpose Connector

R-304P

- ◆ Standard: IEC 60320 C15
- ◆ Rating: 10A 250V AC
- ◆ Insulation Resistance: 100MΩ 500V DC / 1 minute
- ◆ Dielectric Strength: 2000V AC / 1 minute



Dimensions



WIRE HARNESS

線材



AUDIO

音響線材組

- ◆ Insulation Resistance: 100MΩ 500V DC / 1 minute
- ◆ Dielectric Strength: 2000V AC / 1 minute

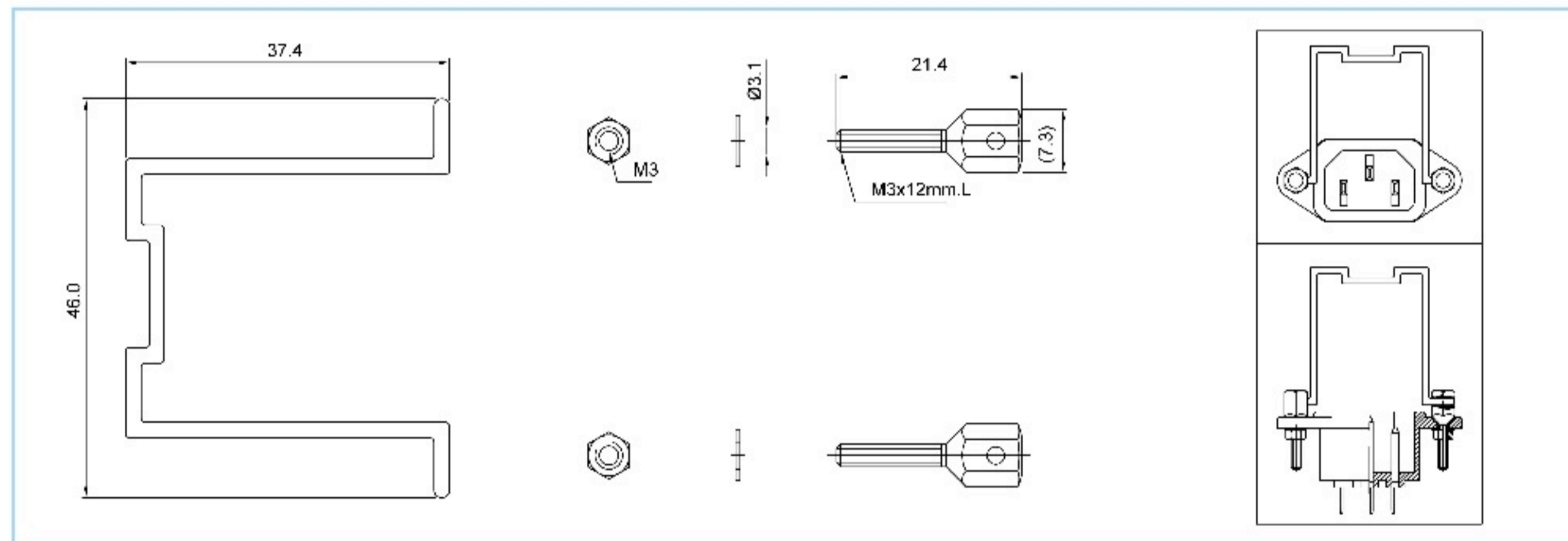


Power Code Lock



KT-0008

Dimensions

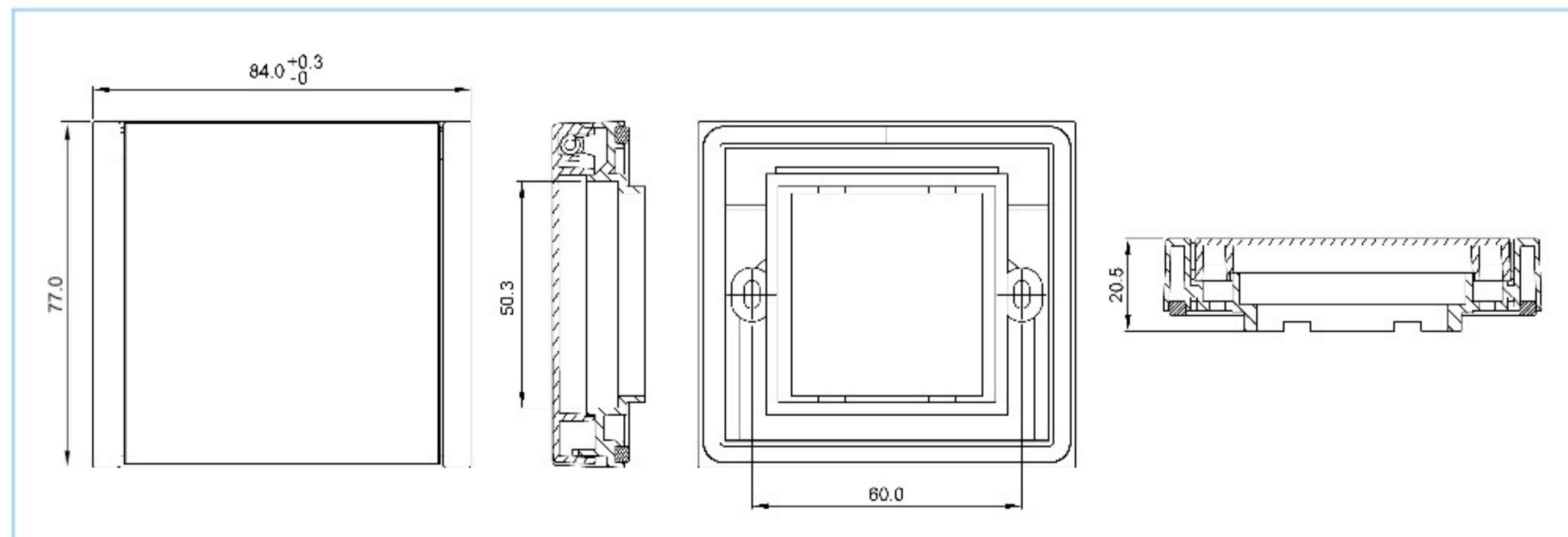


Enclosures Protection

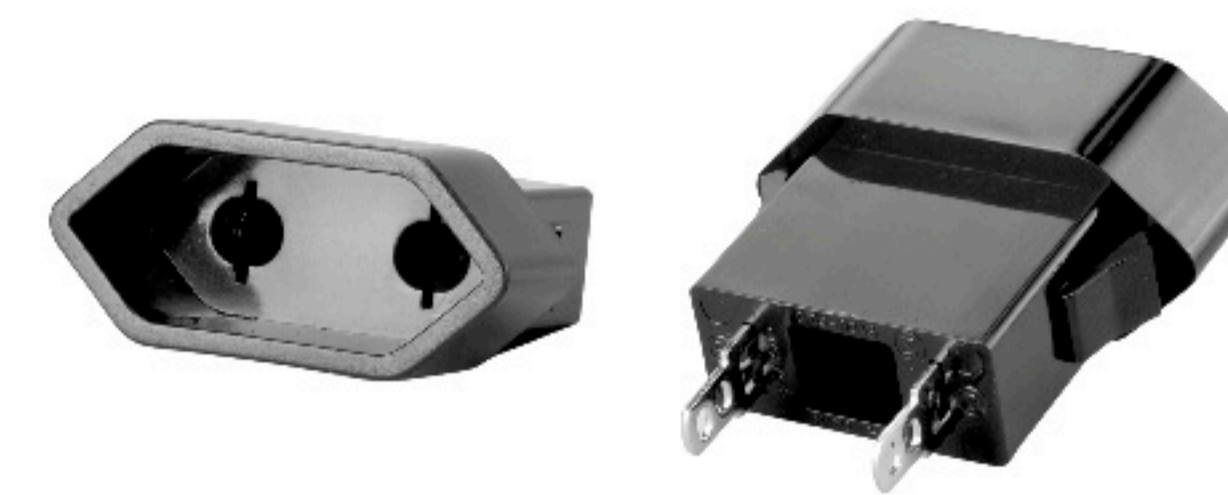


R-009

Dimensions



AC Adaptor

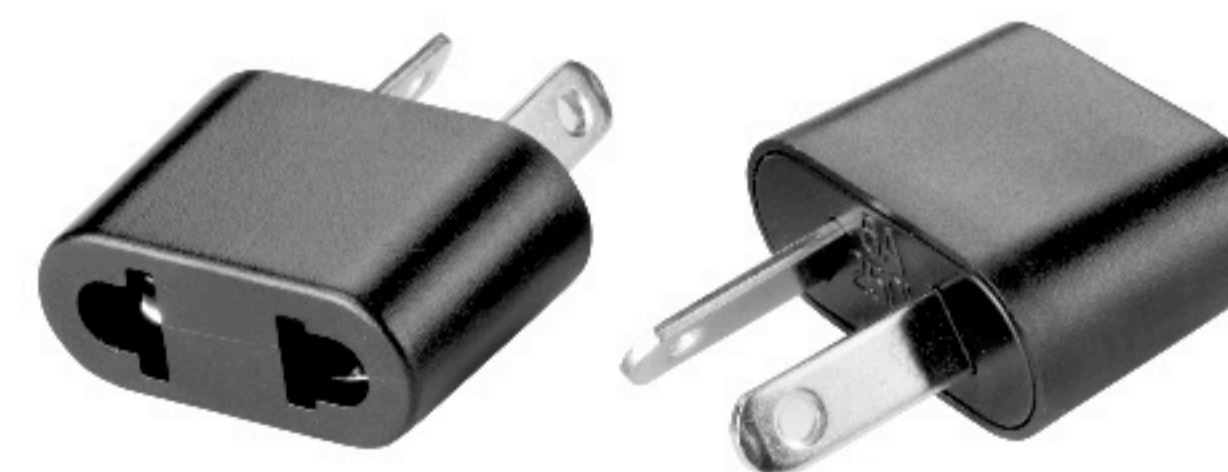
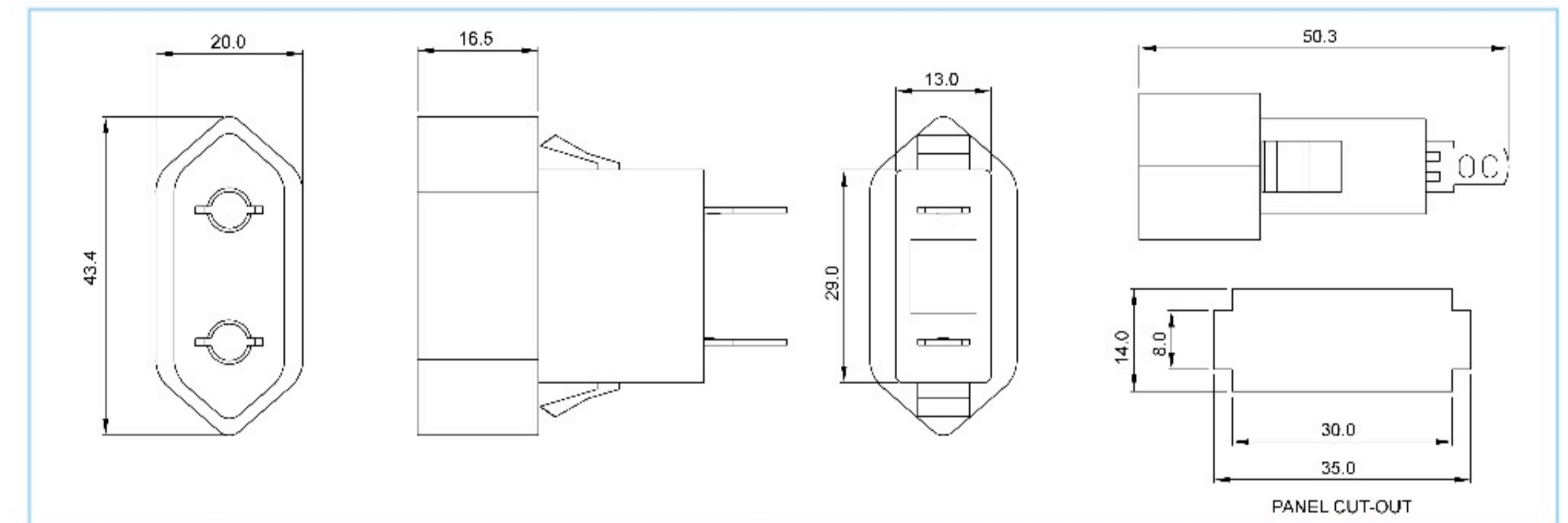


DTS-0043

- ◆ Rating: 2.5A 250V AC
- ◆ Insulation Resistance: 100MΩ 500V DC / 1 minute
- ◆ Dielectric Strength: 1500V AC / 1 minute
- ◆ Housing Material: Thermoplastic 94V-2~V-0



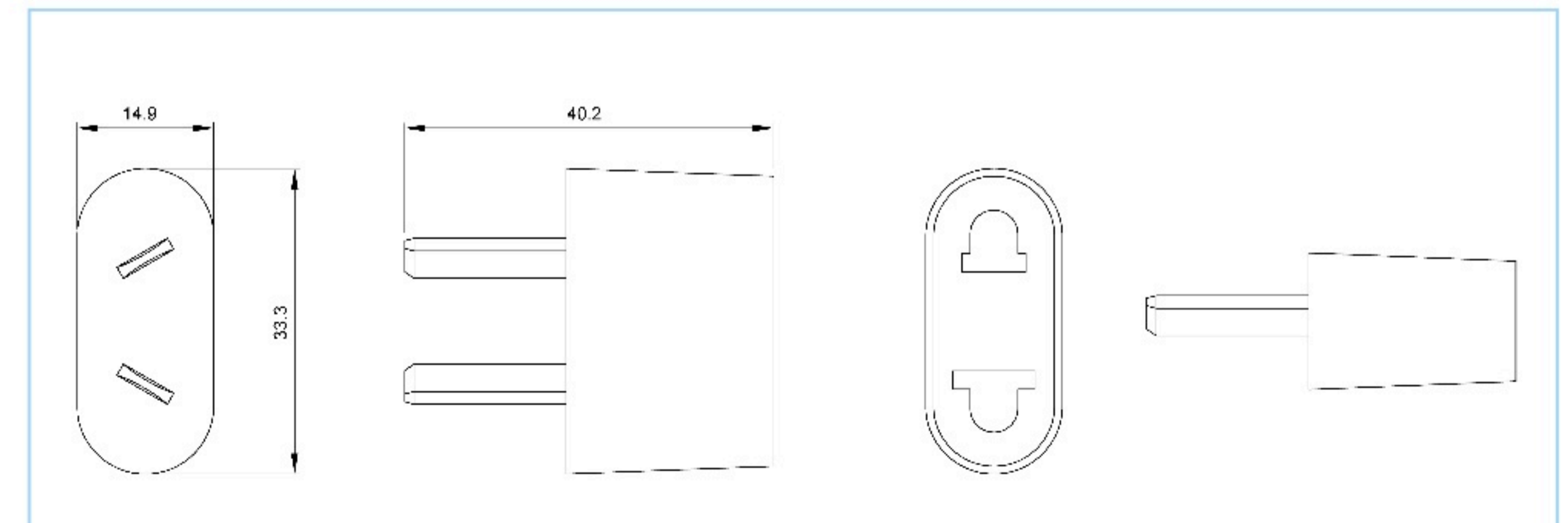
Dimensions



WTN-01-1151

- ◆ Rating: 6A 250V AC
- ◆ Insulation Resistance: 100MΩ 500V DC / 1 minute
- ◆ Dielectric Strength: 1500V AC / 1 minute
- ◆ Housing Material: Thermoplastic 94V-2~V-0

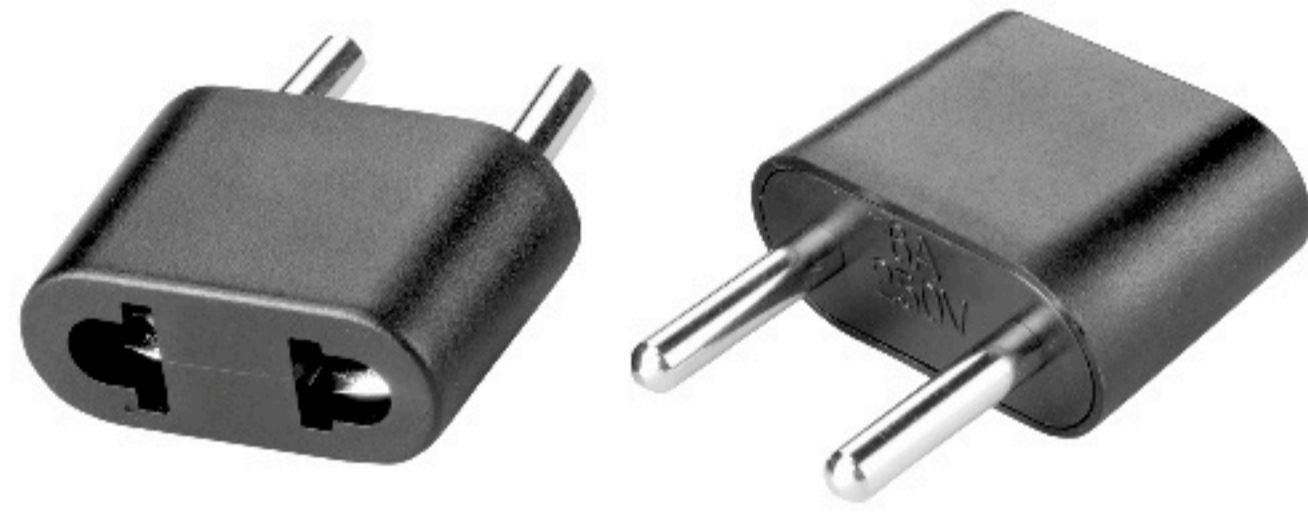
Dimensions



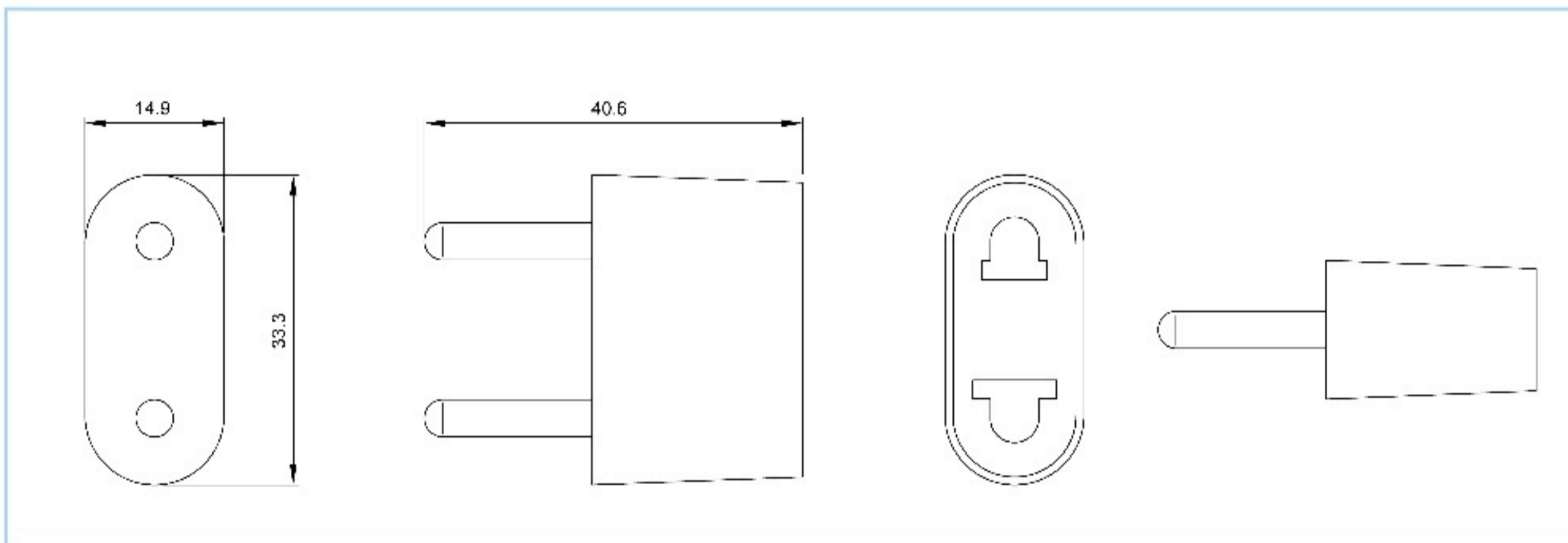
AC Adaptor

WTN-01-1152

- ◆ Rating: 6A 250V AC
- ◆ Insulation Resistance: 100MΩ 500V DC / 1 minute
- ◆ Dielectric Strength: 1500V AC / 1 minute
- ◆ Housing Material: Thermoplastic 94V-2~V-0



Dimensions

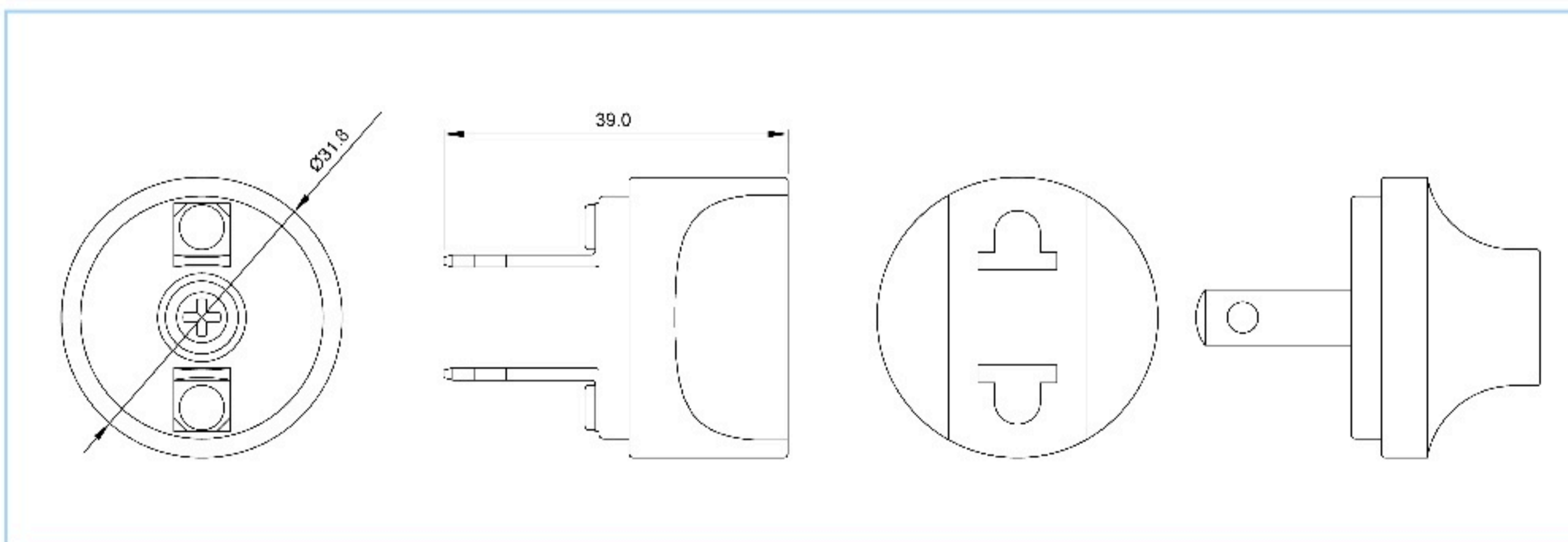


WTN-01-1153

- ◆ Rating: 15A 110V / 10A 250V AC
- ◆ Insulation Resistance: 100MΩ 500V DC / 1minute
- ◆ Dielectric Strength: 1500V AC / 1 minute
- ◆ Housing Material: Thermoplastic 94V-2~V-0



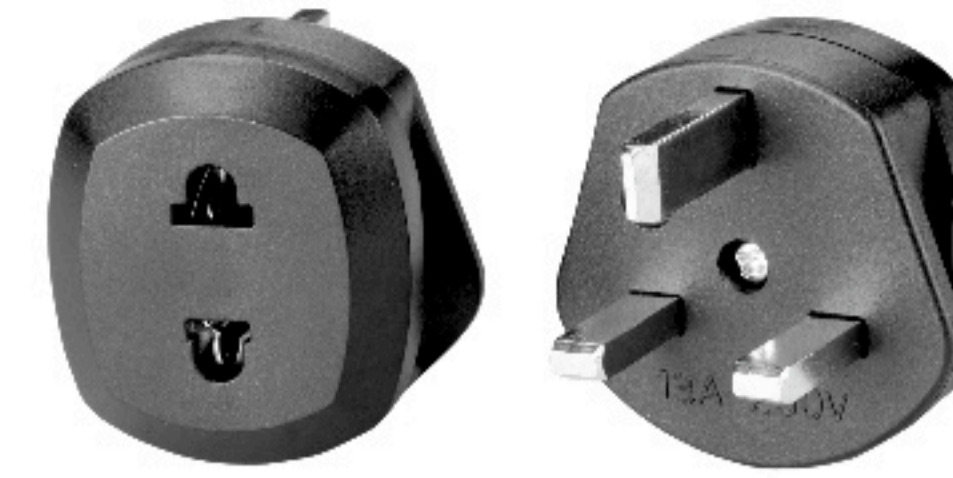
Dimensions



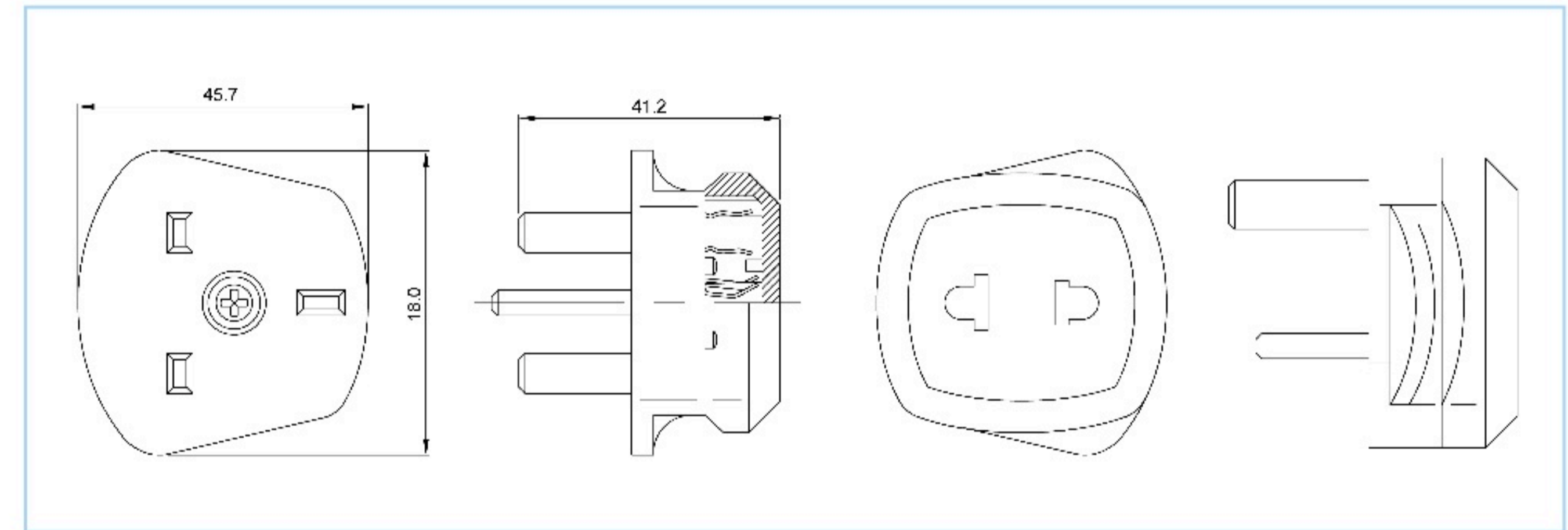
AC Adaptor

WTN-01-1154

- ◆ Rating: 13A 250V AC / 15A 125V AC
- ◆ Insulation Resistance: 100MΩ 500V DC / 1 minute
- ◆ Dielectric Strength: 1500V AC / 1 minute
- ◆ Housing Material: Thermoplastic 94V-2~V-0



Dimensions

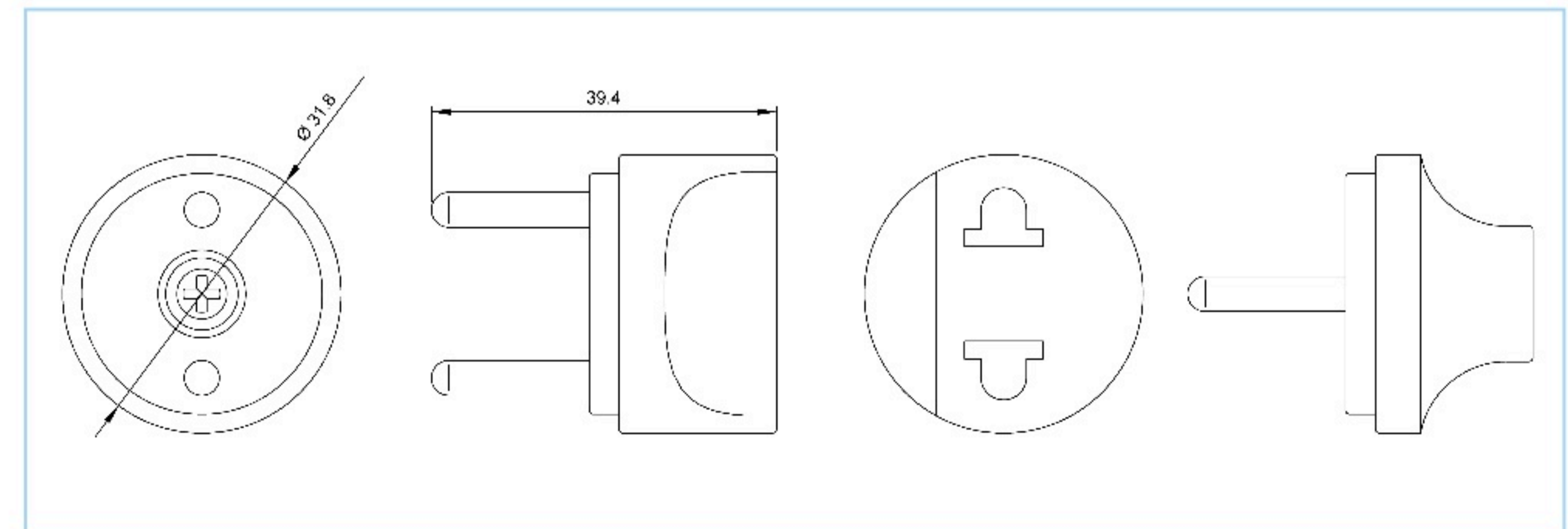


WTN-01-1155

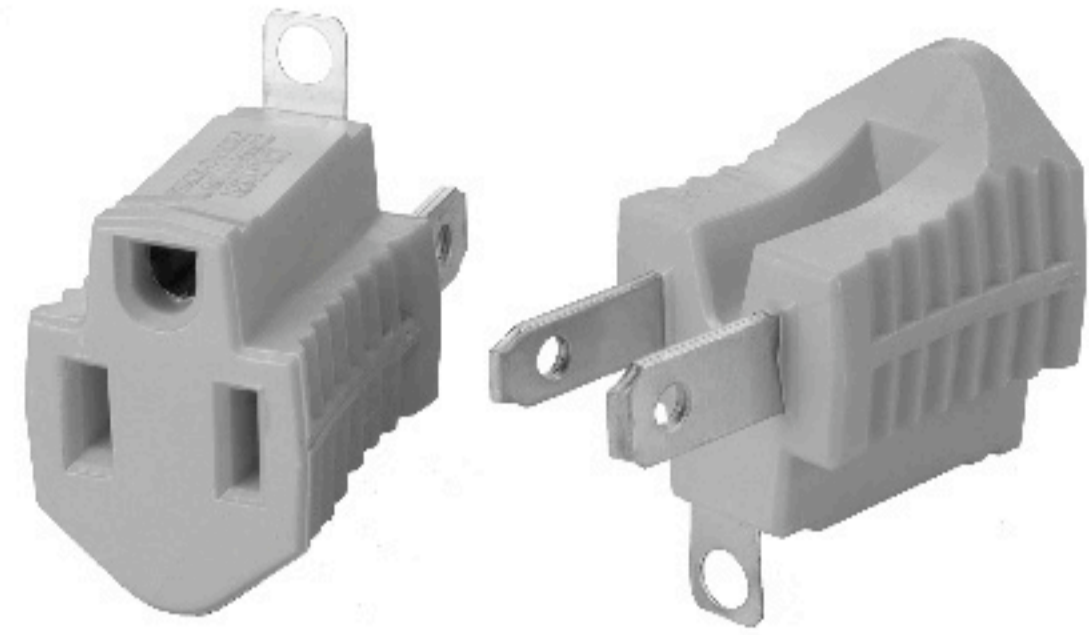
- ◆ Rating: 6A 250V AC / 10A 125V AC
- ◆ Insulation Resistance: 100MΩ 500V DC / 1 minute
- ◆ Dielectric Strength: 1500V AC / 1 minute
- ◆ Housing Material: Nelon 66



Dimensions



AC Adaptor

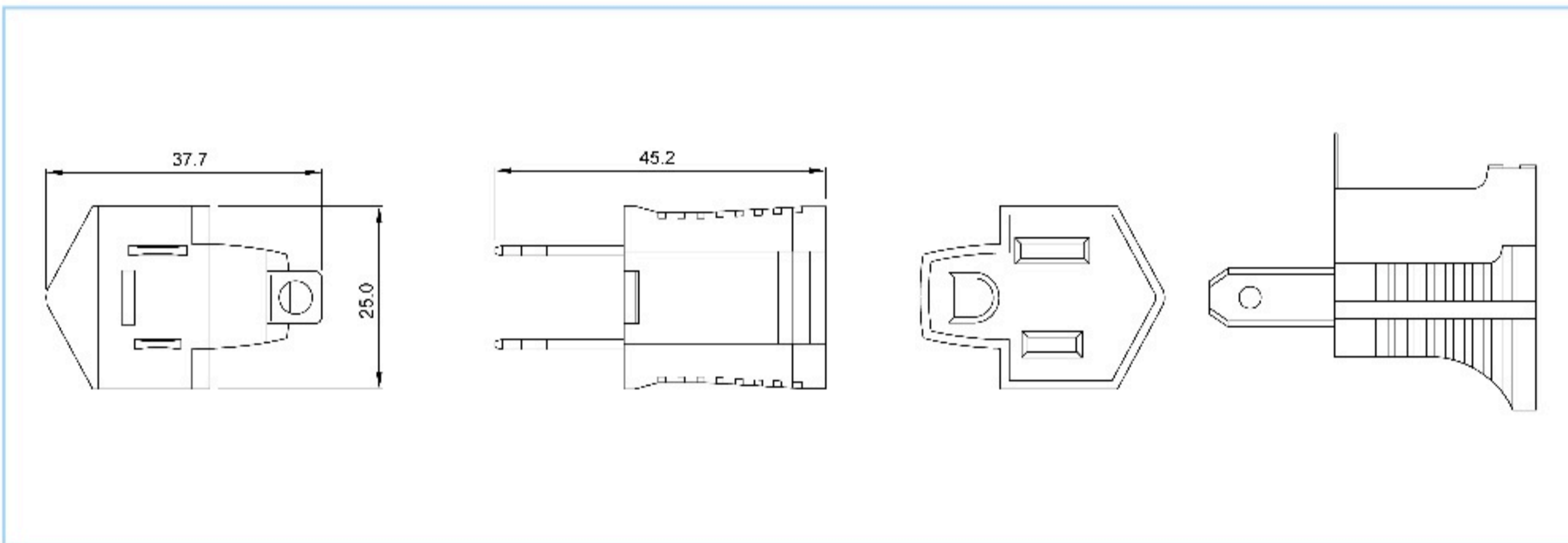


TS-A5

- ◆ Rating: 15A 125V AC
- ◆ Insulation Resistance: 100MΩ 500V DC / 1 minute
- ◆ Dielectric Strength: 1500V AC / 1 minute
- ◆ Housing Material: Thermoplastic 94V-2~V-0



Dimensions



Special Connector

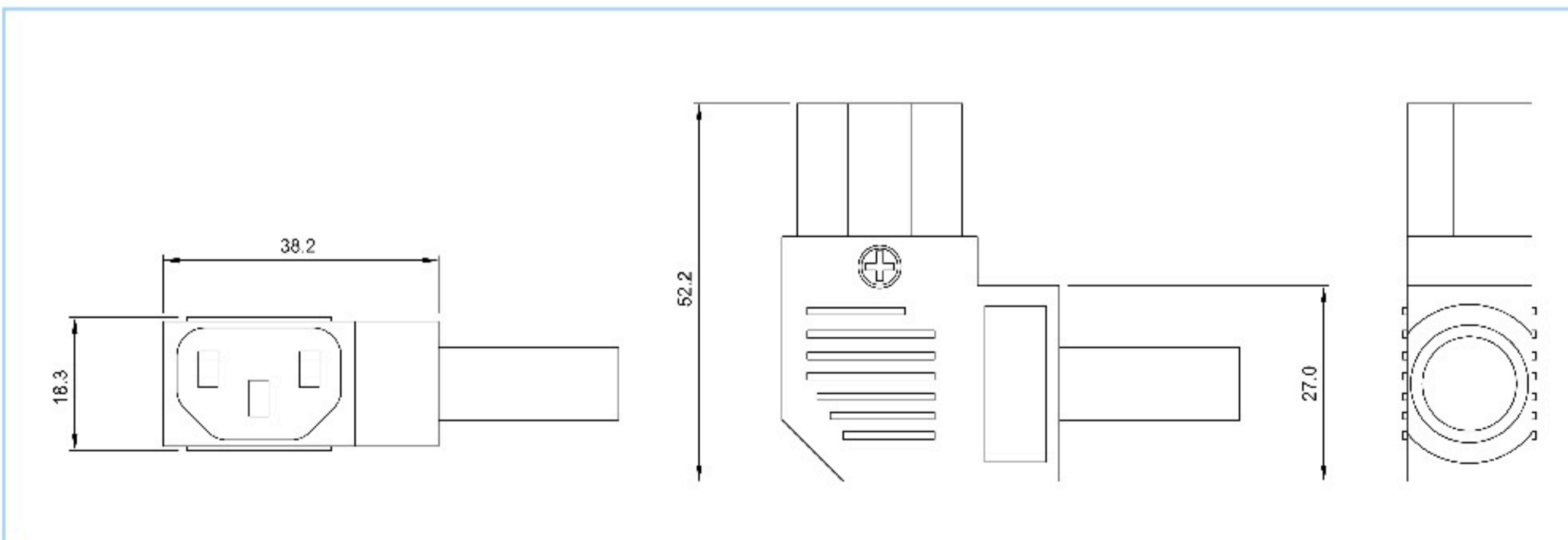


JA-2231-2

- ◆ Rating: 10A 250V AC
- ◆ Insulation Resistance: 100MΩ 500V DC / 1 minute
- ◆ Dielectric Strength: 2000V AC / 1 minute
- ◆ Housing Material: Thermoplastic 94V-2~V-0



Dimensions



Special Connector

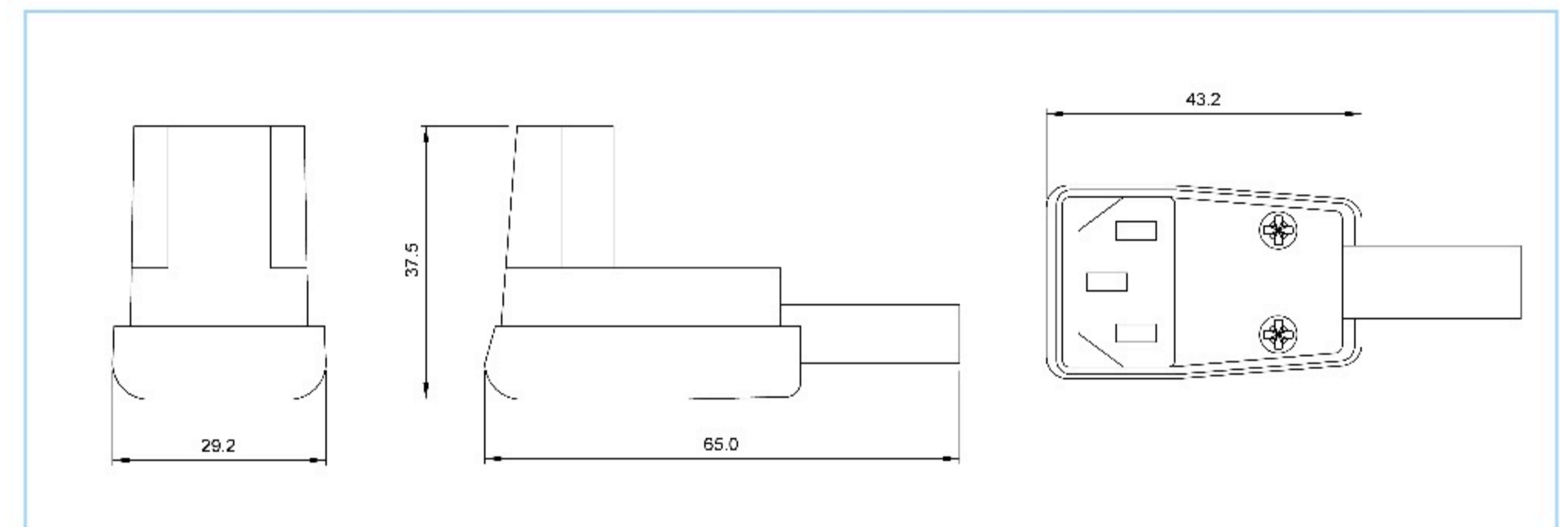


JA-2231-A

- ◆ Rating: 10A 250V AC
- ◆ Insulation Resistance: 100MΩ 500V DC / 1 minute
- ◆ Dielectric Strength: 2000V AC / 1 minute
- ◆ Housing Material: Thermoplastic 94V-2~V-0



Dimensions

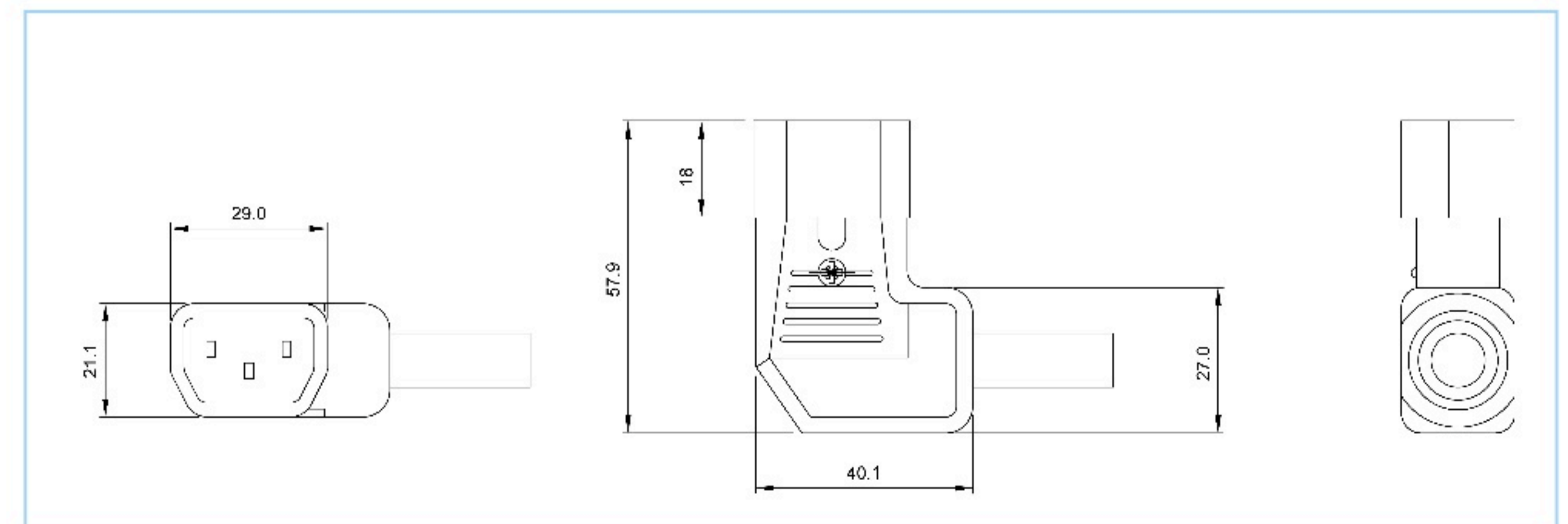


JA-2233-2

- ◆ Rating: 10A 250V AC
- ◆ Insulation Resistance: 100MΩ 500V DC / 1 minute
- ◆ Dielectric Strength: 2000V AC / 1 minute
- ◆ Housing Material: Thermoplastic 94V-2~V-0



Dimensions



Special Connector

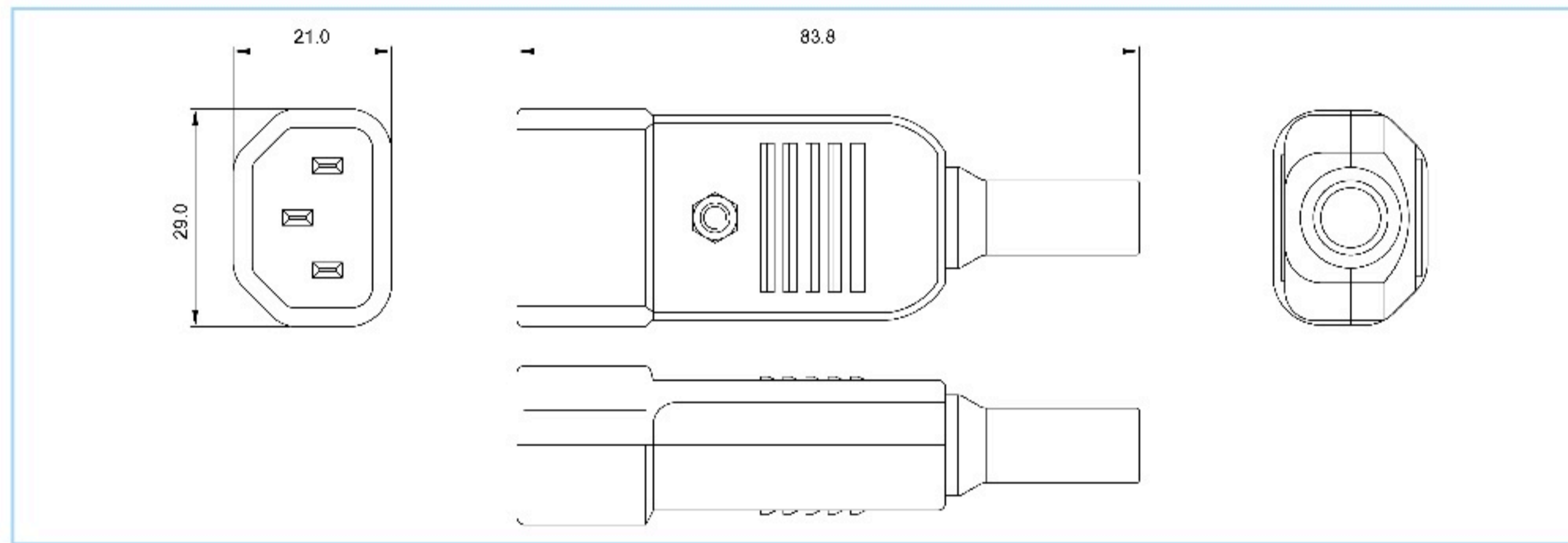


R-331-B00

- ◆ Standard: IEC 60320 E
- ◆ Rating: 10A 250V AC
- ◆ Insulation Resistance: 100MΩ 500V DC / 1 minute
- ◆ Dielectric Strength: 2000V AC / 1 minute
- ◆ Housing Material: Thermoplastic 94V-2~V-0



Dimensions

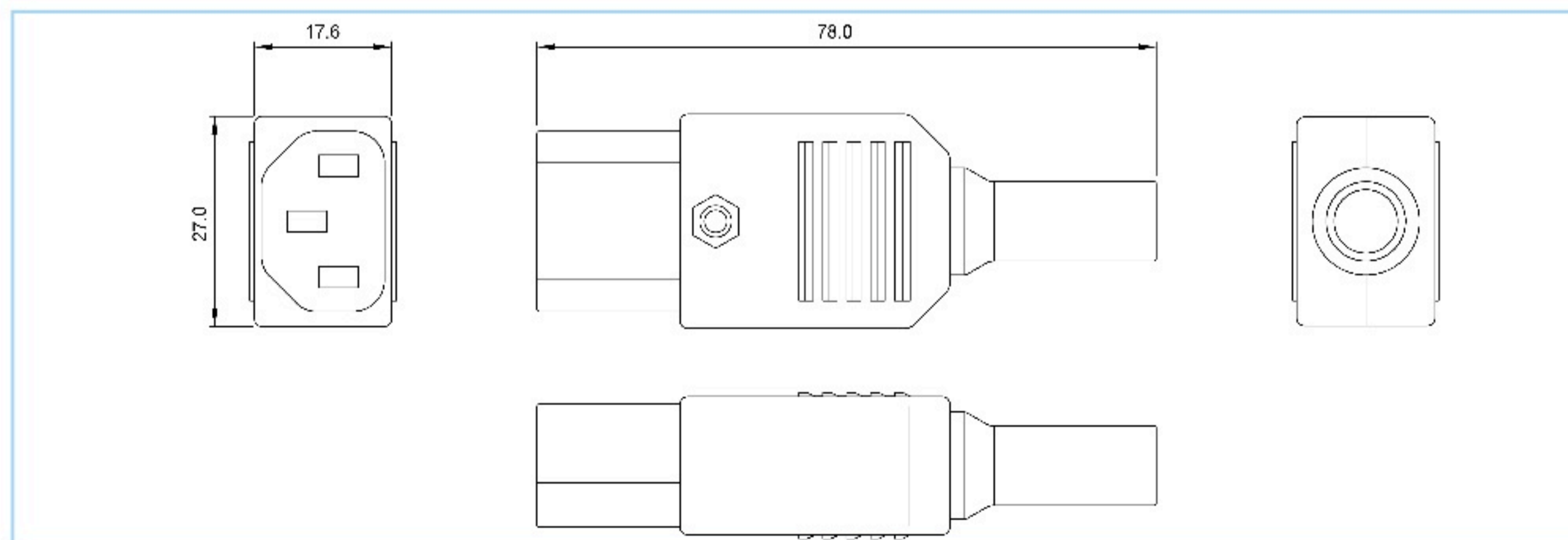


R-332-B00

- ◆ Standard: IEC 60320 C13
- ◆ Rating: 10A 250V AC
- ◆ Insulation Resistance: 100MΩ 500V DC / 1 minute
- ◆ Dielectric Strength: 2000V AC / 1 minute
- ◆ Housing Material: Thermoplastic 94V-2~V-0



Dimensions



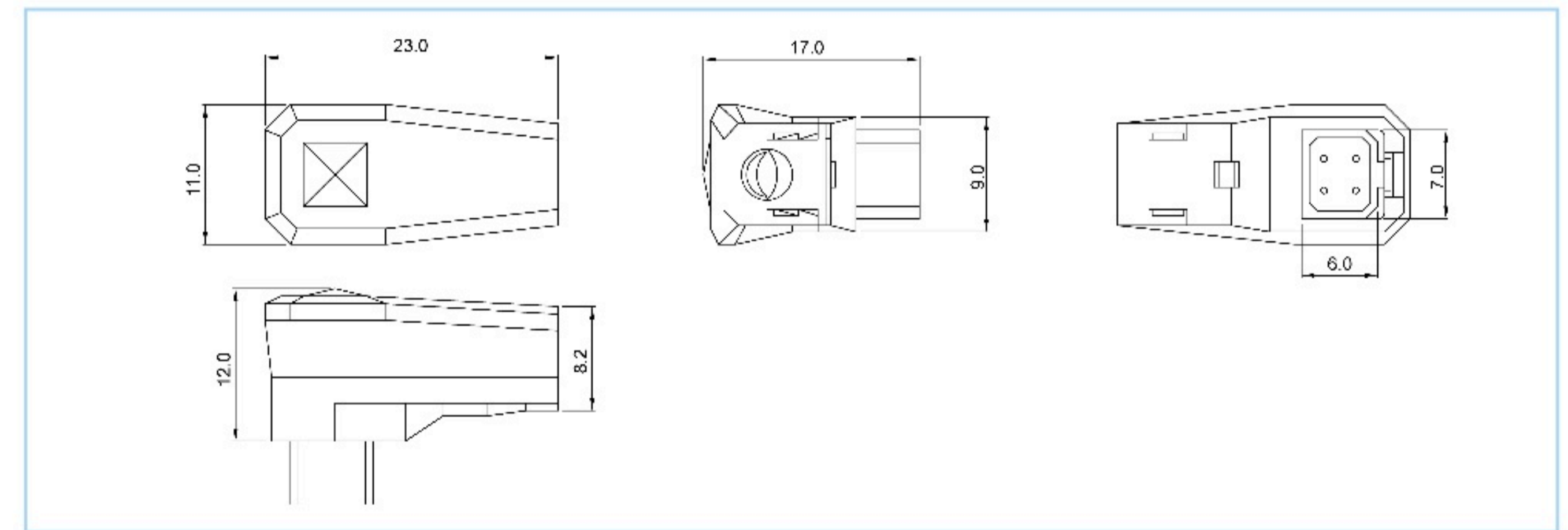
CCTV Connector



R-001

- ◆ Rating: AC DC 30V 0.5A
- ◆ Contact Resistance: 20MΩ Max
- ◆ Insulation Resistance: DC 100V 100MΩ / 1 minute
- ◆ Dielectric Strength: 150V AC / 1 minute
- ◆ Housing Material: Thermoplastic 94V-2~V-0

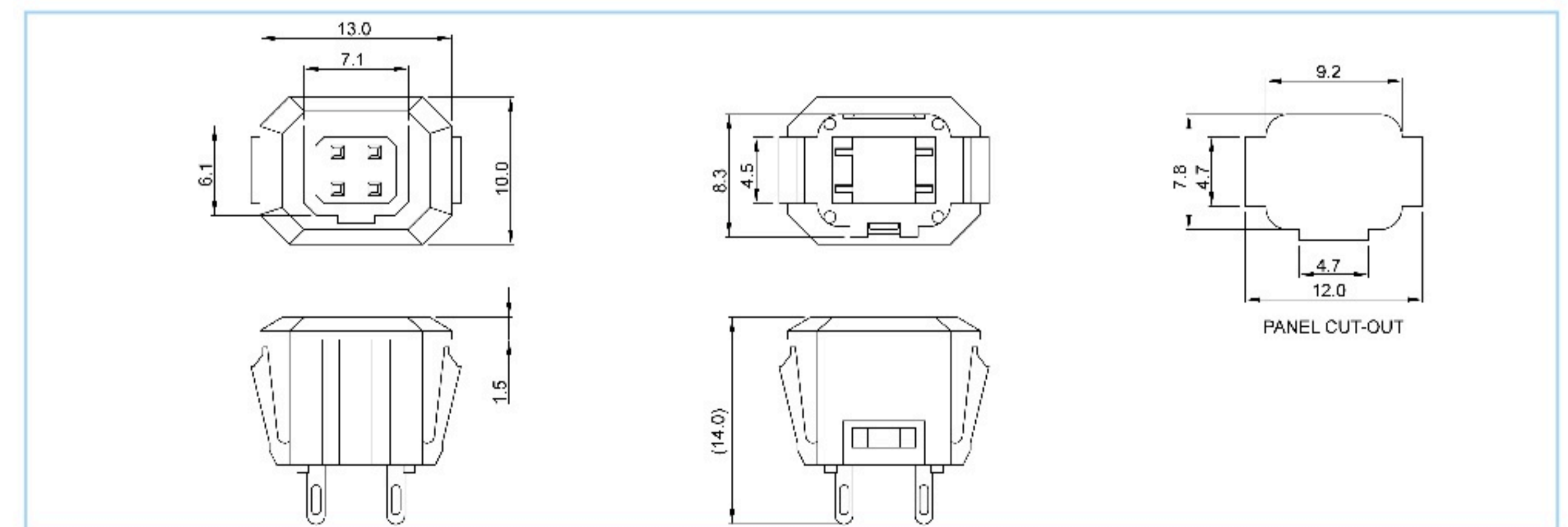
Dimensions



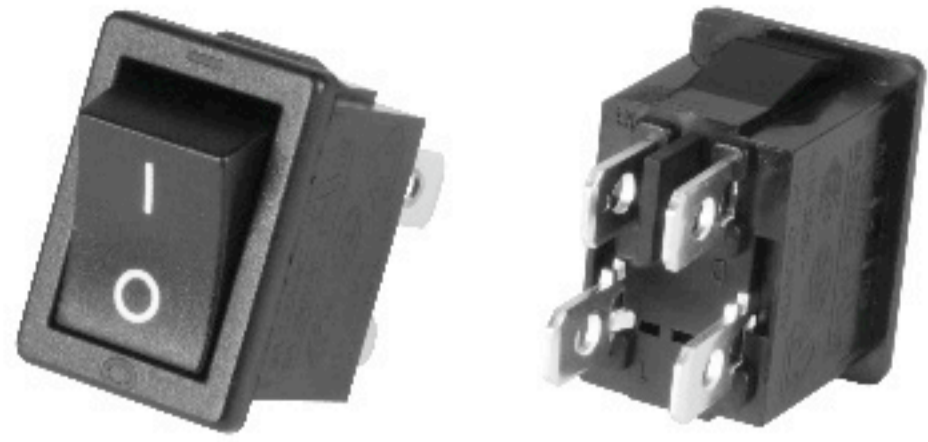
R-002

- ◆ Rating: AC DC 30V 0.5A
- ◆ Contact Resistance: 20MΩ Max
- ◆ Insulation Resistance: DC 100V 100MΩ / 1 minute
- ◆ Dielectric Strength: 150V AC / 1 minute
- ◆ Housing Material: Thermoplastic 94V-2~V-0

Dimensions



Rocker Switch



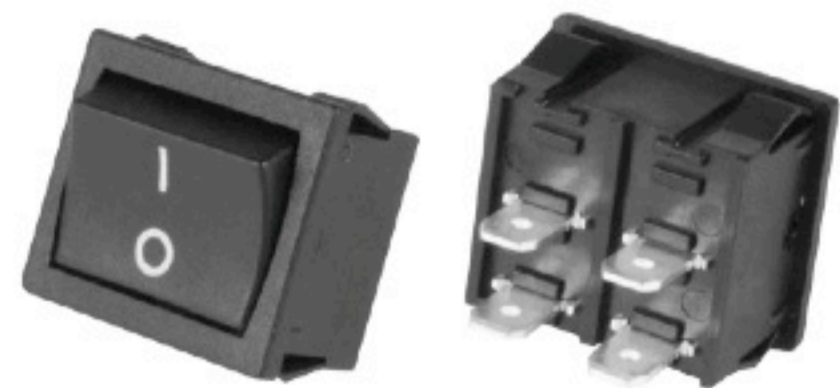
R9D2KKFT00F1

- ◆ Standard: IEC 61058-1
- ◆ Rating: 4(1), 6A 250V AC / 9A 125V AC
- ◆ Insulation Resistance: 1000MΩ 500V DC / 1minute
- ◆ Dielectric Strength: 1500V AC / 1 minute
- ◆ Housing Material: Thermoplastic 94v-2~v-0



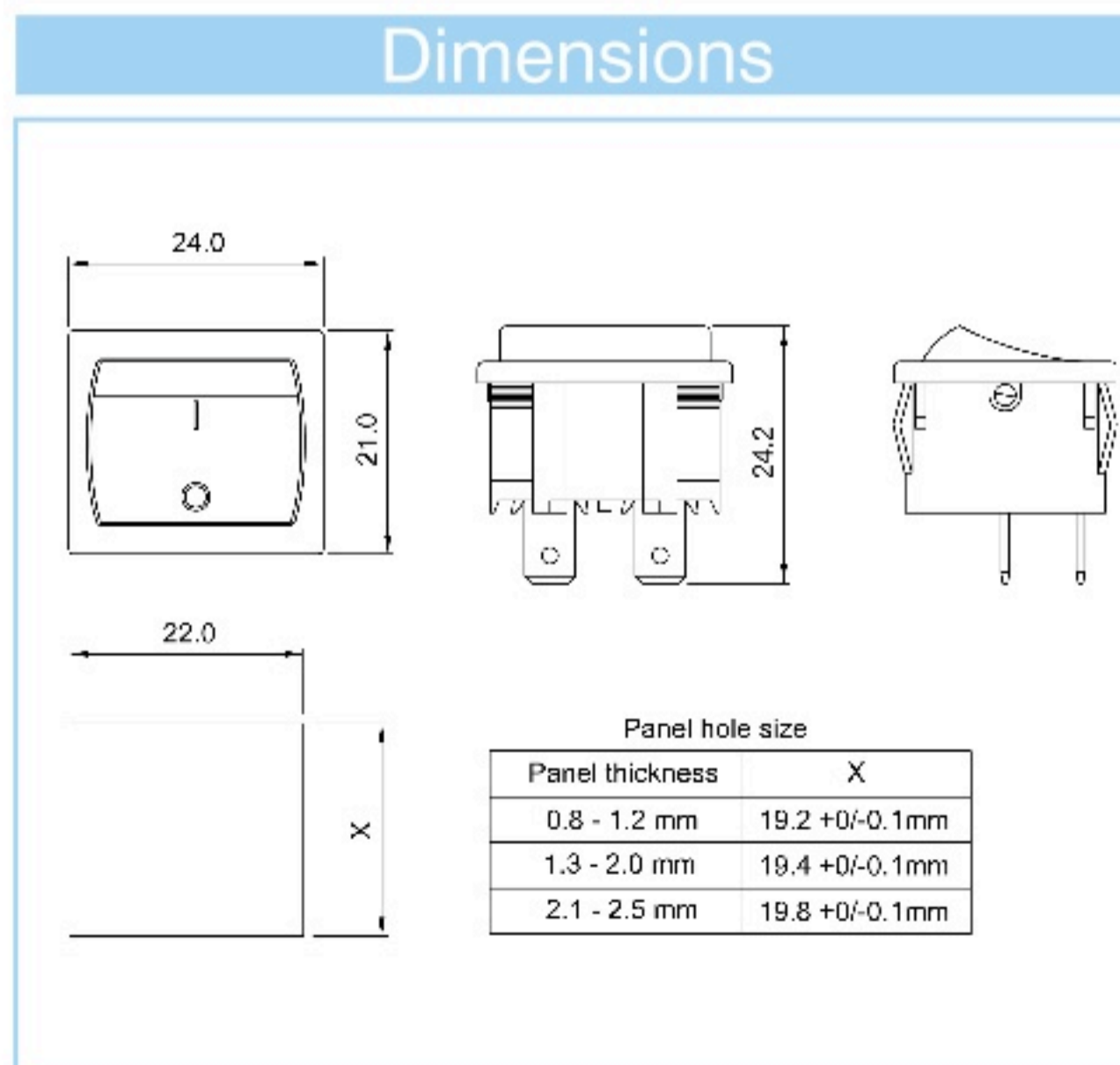
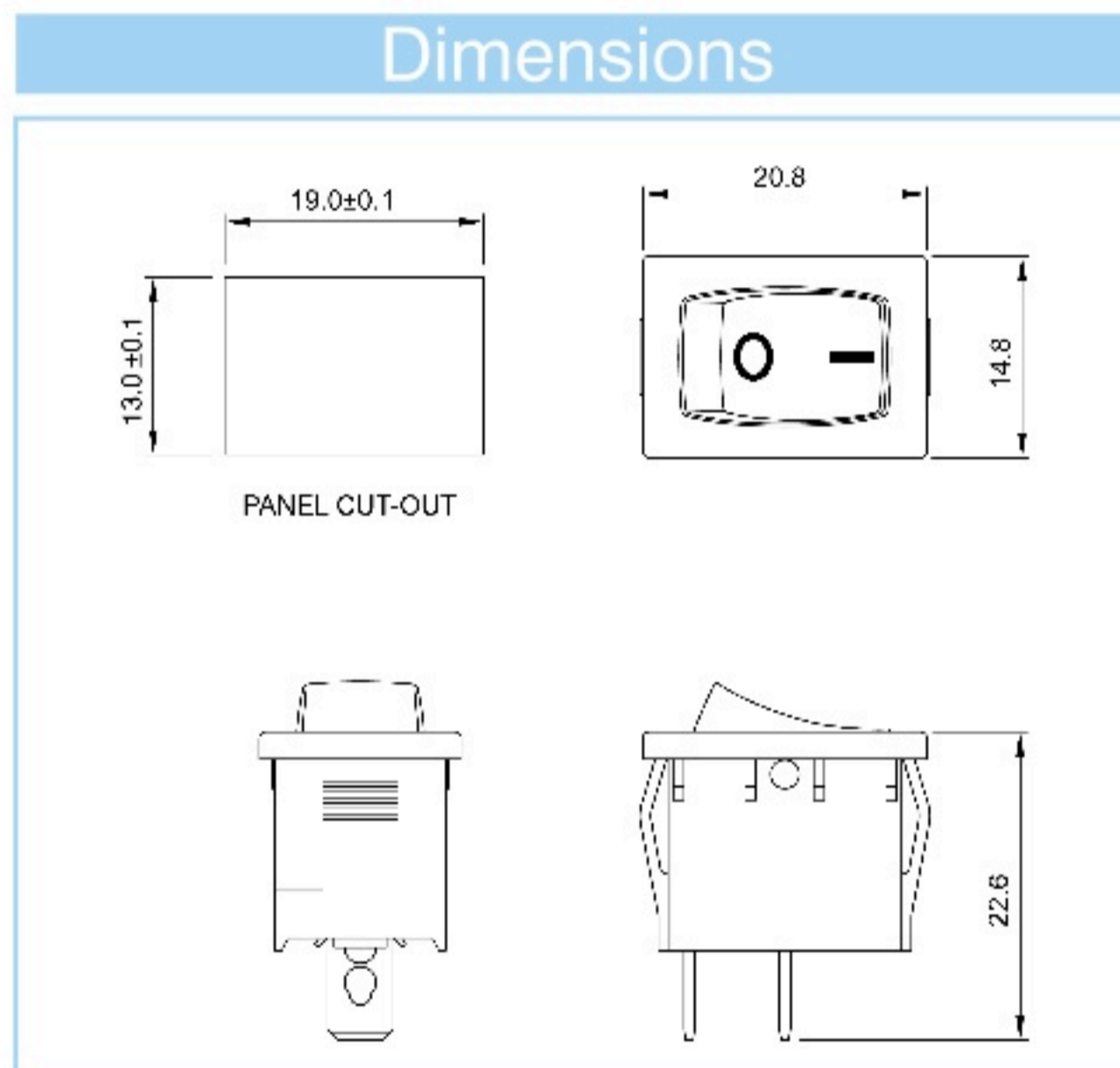
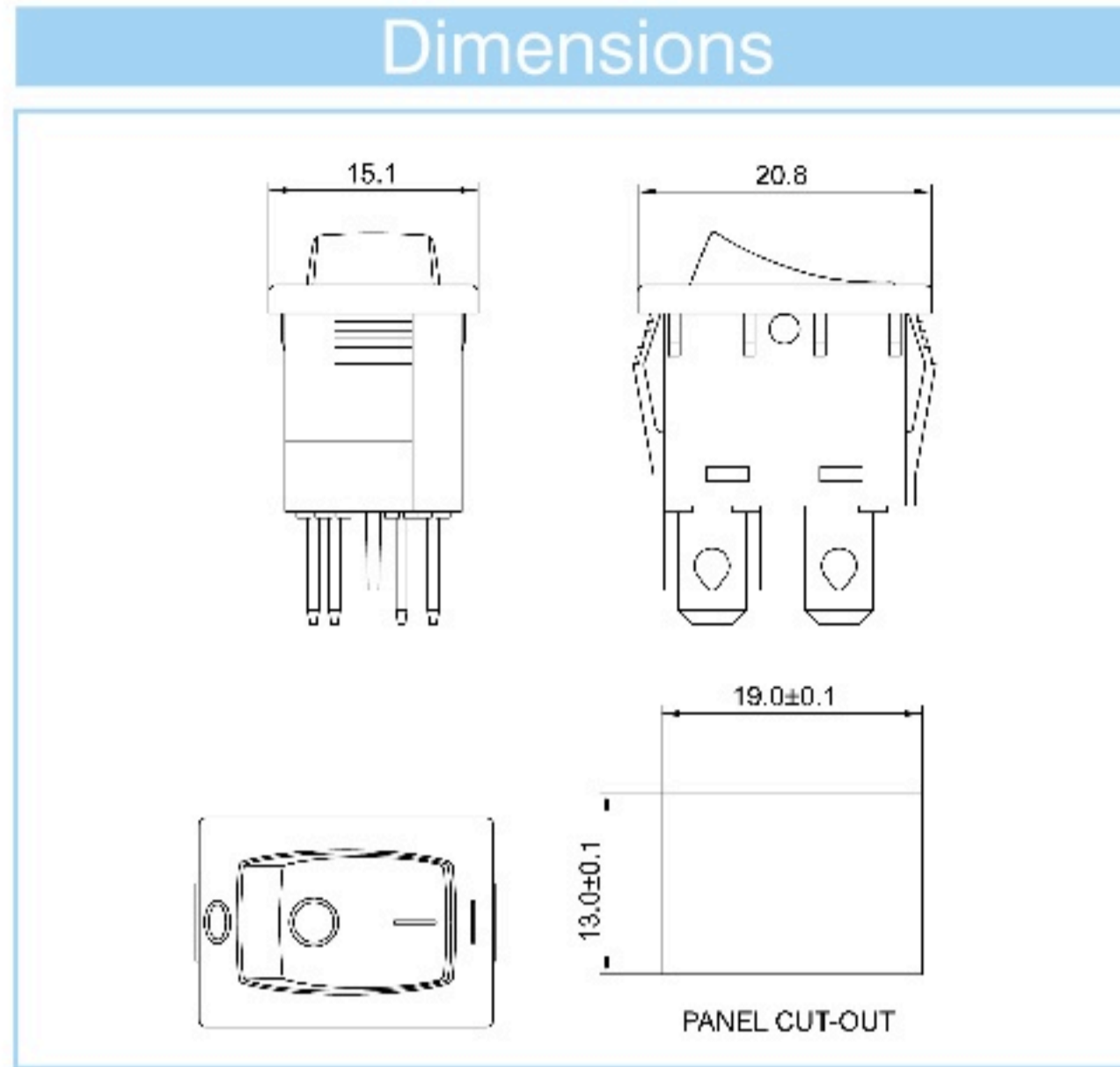
RA12KKT0F

- ◆ Standard: IEC 61058-1
- ◆ Rating: 6A 250V AC
- ◆ Insulation Resistance: 1000MΩ 500V DC / 1 minute
- ◆ Dielectric Strength: 1500V AC / 1 minute
- ◆ Housing Material: Thermoplastic 94v-2~v-0



SS24

- ◆ Standard: IEC 61058-1
- ◆ Rating: 16A 125V / 250V AC
- ◆ Insulation Resistance: 1000MΩ 500V DC / 1minute
- ◆ Dielectric Strength: 1500V AC / 1 minute
- ◆ Housing Material: Thermoplastic 94v-2~v-0



I.E.C. REQUIREMENT

Appliance Connector	Rated Current (amps)	Equipment Class	Maximum Temperature	Connector Outlet/inlet	Appliance Outlet
	0.2		70°C	C1/C2	-
	2.5		70°C	C5/C6	B
	2.5		70°C	C7/C8	D
	6.0		70°C	C9/C10	-
	10		70°C	C13/C14	F
	10		120°C	C15/C16	-
	10		155°C	C15A/C16A	-
	10		70°C	C17/C18	H
	16		70°C	C19/C20	J
	16		155°C	C21/C22	-
	16		70°C	C23/C24	L