

# ODS ELECTROFORMING

## INLET Nameplate Technology to enhance your products more

INLET are solid letters and open patterns of metal produced by Electroforming Technology.

Electroforming is a process whereby a mold looking nameplate can be produced using the principal of Electrolysis to deposit metal onto a pattern. The form so produced is then detached from the pattern.



As can be seen from the above samples, these metal stickers we name **INLET** give off an air of high quality. All you do is to provide us a drawing.

Inlet can be applied easily on most smooth flat materials such as plastic, metal, glass or chinaware.

Deliveries are excellent, first prototypes being possible from about two weeks from receipt of you a drawing. Mass-production lead time can be scheduled to meet your requirements.

Ask for further details of this unique process, we feel sure you will be impressed with the quality and aesthetic appeal by Electroformed **INLET**.

**LOUDENSHA CO.,LTD.** URL <http://www.oudensha.jp>

316 Kamihirama, Nakahara-ku, Kawasaki, 211-0013 Japan Tel.(044)533-5555 Fax.(044)541-1210

# SPECIAL POINTS TO BE NOTED WHEN DESIGNING ELECTROFORMED INLET

## 1 Drawing

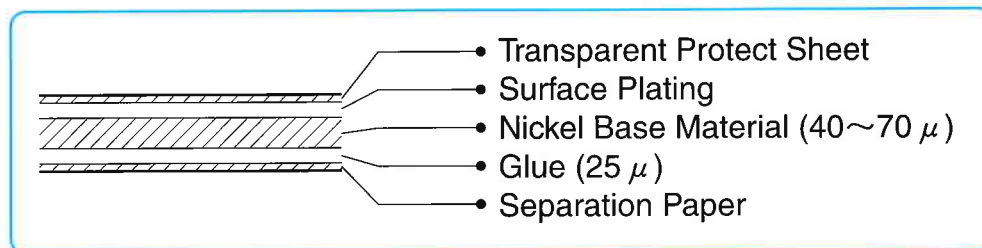
Drawing by computer data such as ai (Illustrator), dxf, or dwg (Auto CAD) is preferable to shorten the lead time of sample making.

## 2 Variety of Surface Appearance

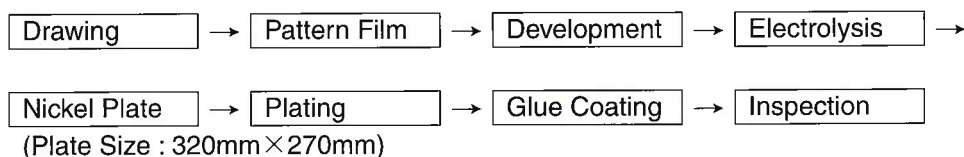
Following surface appearances are available.

- ① Plating : Gold, Silver (Tin Cobalt) or Black (Tin Nickel)
- ② Surface Condition : Glossy or Matte
- ③ Surface Design : Flatness, Diamond Cut, Cross Cut and so on

## 3 Shown in Section



## 4 Production Process



## 5 RoHS Directive

Oudensha comply strictly with RoHS Directive.

Hazardous substances are not used in **INLET** production process.

## 6 Tooling Charge (One time fee)

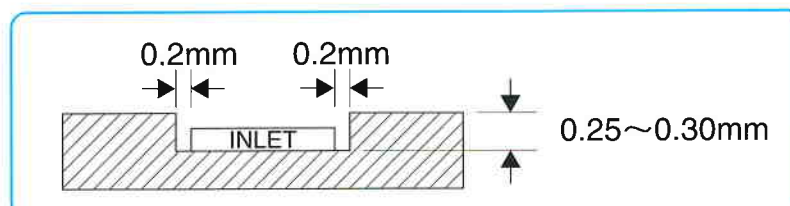
Tooling charge is incurred to make the pattern film for letters or patterns.

In case that there is no order more than three years, the pattern film may be disposed on our side.

## 7 Sticking location

At the frequent hand touched place, it is not recommendable to use **INLET** due to the very thin metal sticker.

When you prefer to put it on such a place, we'll recommend to make a slight recessed pocket and stick it inside.



The surface condition to stick **INLET** should be flat.

## 8 Two Kinds Of Adhesion available

### 1) Pressure Sensitive Type

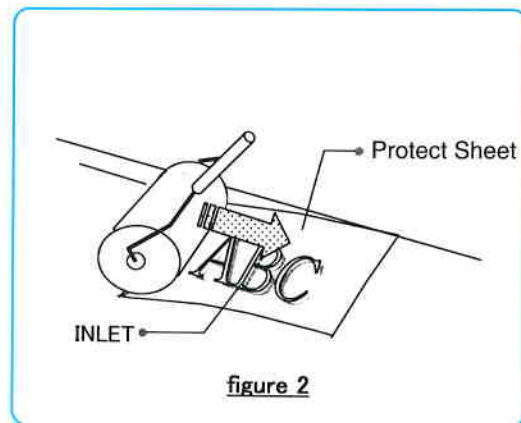
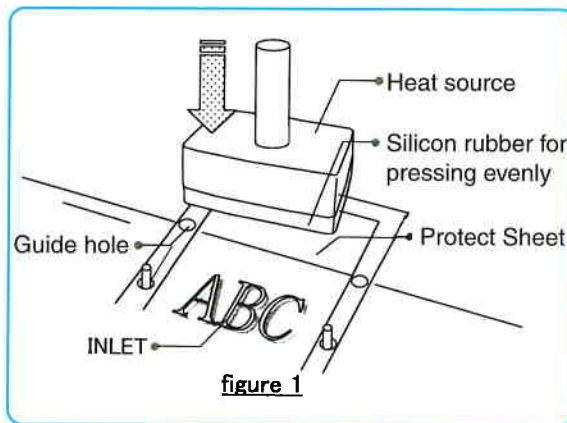
It is very easy to stick **INLET** by a roller or other soft objects.

Following two patterns are available.

- ① With Guide hole : For positioning purpose (figure 1)
- ② Without Guide hole : Cut of Protect Sheet to Character size (figure 2)

How to stick

- ① Make sure to rid the surface of dust, grease or moisture.
- ② Remove the separation paper so that **INLET** stay on the Protect Sheet.
- ③ Stick **INLET** to the decided position still on the Protect Sheet.  
Press or rub **INLET** over the Protect Sheet.



### 2) Hot Melt Type with Guide Hole

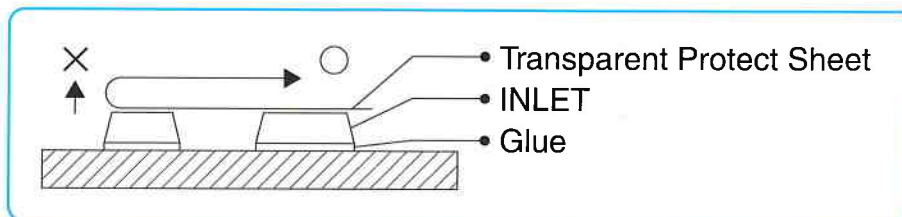
You can get the stronger adherence by this type.

How to stick

- ① Sticking method is same as figure1, but it is necessary to control Temperature, Pressing force and Time.
- ② For Example : Following conditions are recommendable to stick **INLET** on a plastic mold surface.  
Temperature (150°C), Pressing force (6Kgf/cm<sup>2</sup>) and Time (5sec)

## 9 How to peel Transparent Protect Sheet off

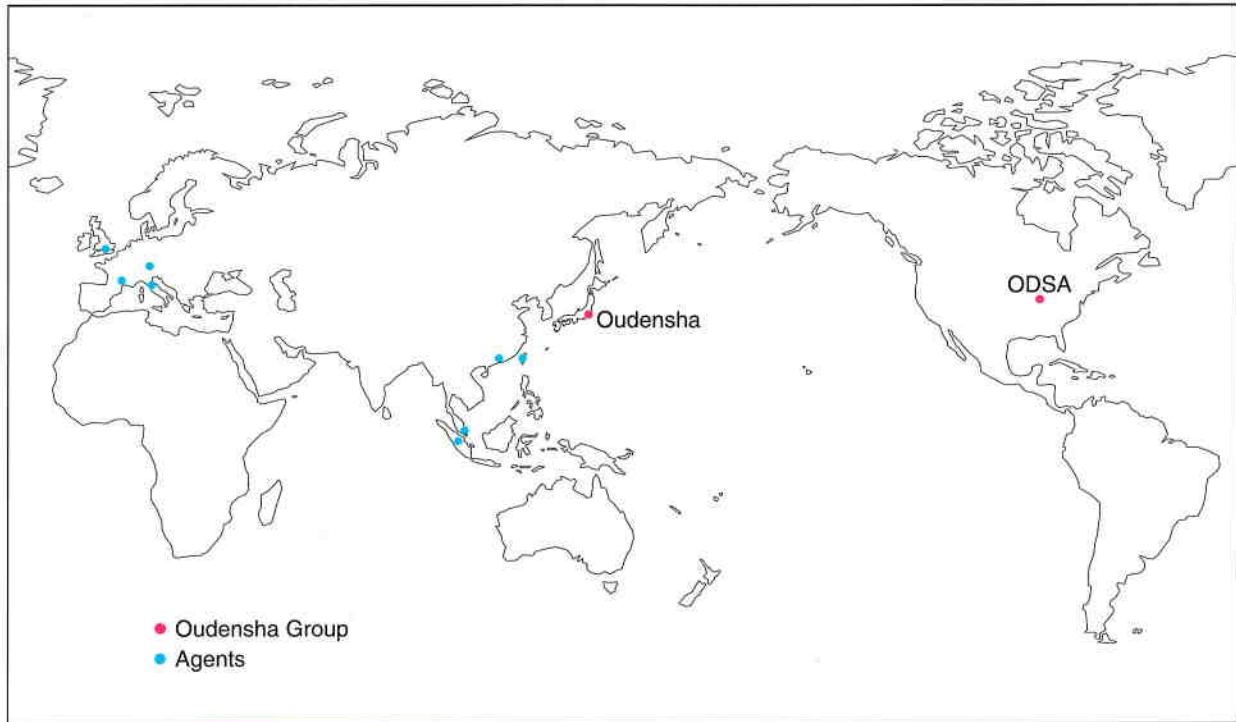
Gently remove horizontally the Protect Sheet in parallel with **INLET**.



Shortly after sticking **INLET**, the stickiness strength is not sufficient.  
It takes about 48 hours of curing time to get the specified adherence by Glue.

## 10 Final

Our Agents in overseas countries are also pleased to visit and discuss your specific requirements.



# oudensha CO.,LTD.

URL <http://www.oudensha.jp>



- **Oudensha Head office/Hirama Plant**  
316 Kamihirama, Nakahara-ku, Kawasaki, 211-0013 Japan Tel.(044)533-5555 Fax.(044)541-1210
- **Oudensha Shimonoge Plant**  
1402 Shimonoge, Takatsu-ku, Kawasaki, 213-0006 Japan Tel.(044)833-0371 Fax.(044)833-0375
- **I.E.C. Co., Ltd.,**  
569 Kanou, Minamiizu-machi, Kamo-gun, Shizuoka-ken, 415-0304 Japan Tel.(0558)62-3571 Fax.(0558)62-0084
- **Oudensha America, Inc.**  
1894 South Elmhurst Road, Mount Prospect, Illinois 60056 Tel.(847)593-0945 Fax.(847)364-6082

## EUROPE:

- **Diametric Technical Limited**  
Lake House, Waltham Business Park,  
Brickyard Road, Swanmore,  
Southampton, Hampshire, SO32 2SA  
Great Britain  
Phone: +44 1489 899555  
Fax: +44 1489 899556
- **Decor-Technik DT Vertriebs-GmbH**  
Murgstr. 2, 75196  
Remchingen-Wilferdingen, Germany  
Phone: +49(0)72 32-3 19 08 14  
Fax: +44(0)72 32-3 19 08 10
- **Componentes Electronicos Elco S.A.**  
C/de Can Ribes, 10, E-08520  
Les Franqueses del Valles (Barcelona)  
Spain  
Phone: +34 93 879 01 94  
Fax: 34 93 879 01 19

## ASIA:

- **Hong Kong Nameplates Ltd.**  
Flat G, 11/F., Yip Fat Factory Building,  
Phase 2, 73 Hoi Yuen Road,  
Kwun Tong, Hong Kong  
Phone: +852 2357 5048  
Fax: +852 2763 5568
- **Best Partner Trading Company**  
11, 12F, No. 102, Sung Lung Rd.,  
Taipei 110, Taiwan, R.O.C.  
Phone: +886 2 2762 6855  
Fax: +886 2 2762 6851
- **Studio SANO**  
Viale Francia 55/57,  
20036 Meda (MB), Italy  
Phone: +39 0362 1820240  
Fax: +39 0362 1820239
- **GM Nameplate Asia Pte Ltd.**  
53 Joo Koon Circle  
Singapore 629103  
Phone: +65 6863 3886  
Fax: +65 6863 3186
- **PT Sinar Epoxindo Sejati**  
Jl, Kali Sekretaris No. 88 BI-BJ  
Komp, Golden Ville,  
Jakarta Barat 11510, Indonesia  
Phone: +62 21 567 1812/2646  
Fax: +62 21 567 2210
- **Jas Components Singapore Pte Ltd.**  
Block 15, Toa Payoh Lor 8  
#05-09, Braddell Tech  
Singapore 319262  
Phone: +65 6352 8386  
Fax: +65 6352 8387

Note : This catalogue may be changed without notice.